

* SIZE OF FILLET WELD

FLANGE THICKNESS	WELD
OVER 3/4" TO 1 1/2"	3/16"
OVER 2 1/4"	1/16"

GIRDER ELEVATION
SCALE: VERT. 1/2" = 1'-0"
HORIZ. 1" = 10'-0"

TABLE OF LINEAR DIMENSIONS

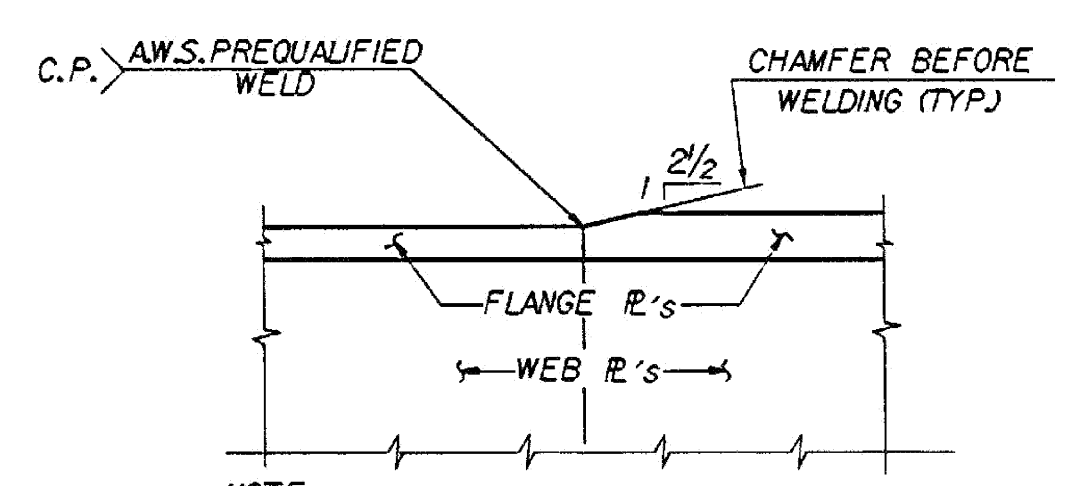
GIRDER	"A"	"B"	"C"	"D"	"E"	"F"	"G"	"H"	"J"	"K"	"L"
G1	202'-2 1/2" (+)	101'-4 1/16" (+)	100'-10 7/16" (+)	56'-1 1/16" (+)	10'-0"	72'-0"	55'-7 7/16" (+)	66'-1 1/16" (+)	65'-7 7/16" (+)	36'-0"	36'-0"
G2	202'-0 5/16" (+)	101'-7 5/16" (+)	101'-5 1/16" (+)	56'-4 5/16" (+)	10'-0"	72'-0"	56'-2 1/16" (+)	66'-4 5/16" (+)	66'-2 1/16" (+)	36'-0"	36'-0"
G3	204'-0"	102'-0"	102'-0"	56'-9"	10'-0"	72'-0"	56'-9"	66'-9"	66'-9"	36'-0"	36'-0"
G4	204'-11 3/4" (+)	102'-4 9/16" (+)	102'-7 3/16" (+)	57'-1 9/16" (+)	10'-0"	72'-0"	57'-4 3/16" (+)	67'-1 9/16" (+)	67'-4 3/16" (+)	36'-0"	36'-0"
G5	208'-0 1/4" (+)	102'-9 1/2" (+)	103'-2 3/4" (+)	57'-6 1/2" (+)	10'-0"	72'-0"	57'-11 1/4" (+)	67'-6 1/2" (+)	67'-11 1/4" (+)	36'-0"	36'-0"

TABLE OF VERTICAL DIMENSIONS

	CL BRGS. ABUT. * 1	CL BRGS. PIER * 1	CL BRGS. ABUT. * 2
BA	5'-6 7/16"	5'-8 1/4"	5'-6 7/16"
BB	7 7/16"	9 3/4"	7 7/16"
BC	1'-5"	1'-5"	1'-5"

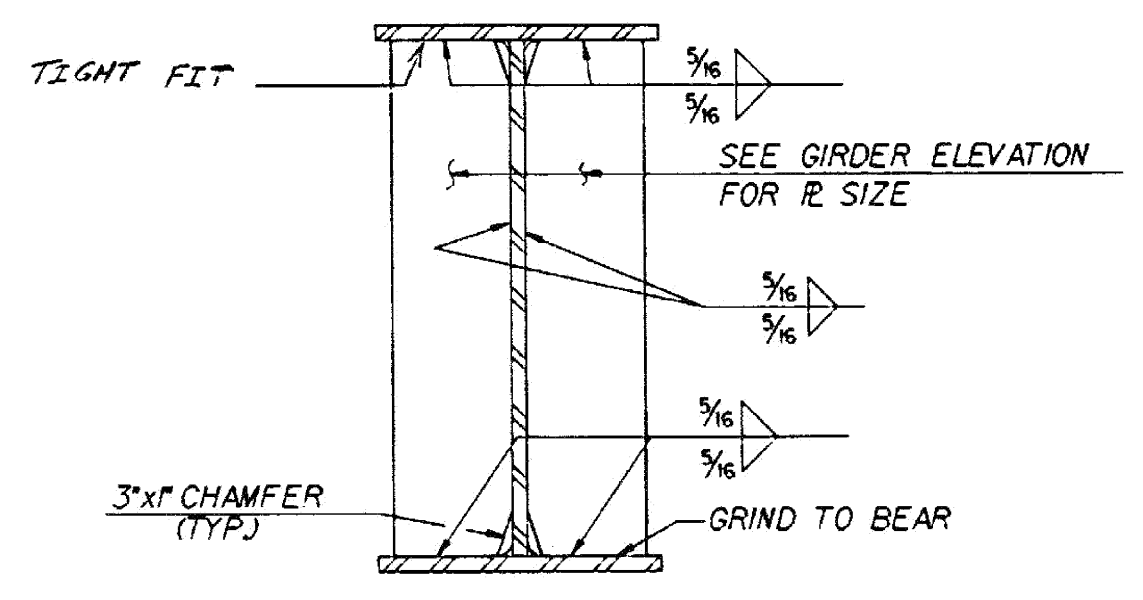
- NOTES
- FOR GENERAL NOTES, SEE SHEET BR 100.
 - GIRDER DIMENSIONS SHOWN ARE HORIZONTAL ARC DISTANCES MEASURED ALONG CL OF GIRDERS.
 - ALL STEEL IN WEBS, FLANGES AND DIAPHRAGMS REQUIRES CHARPY V-NOTCH TEST AS SPECIFIED IN SUBSECTION 714.01.
 - ALL BEARING STIFFENERS SHALL BE PLACED SKEWED ALONG CL OF BEARINGS, AND BE TRULY VERTICAL WHEN THE GIRDERS ARE IN THEIR FINAL POSITION.
 - ALL DIAPHRAGM CONNECTION PLATES SHALL BE AT 90° TO THE TOP FLANGE.
 - FOR CAMBER AND DEAD LOAD DEFLECTION DIAGRAM, SEE SHEET BR 110.
 - FOR DIAPHRAGM DETAILS, SEE SHEET BR 111.
 - FOR BEARING DETAILS, SEE SHEET BR 112.
 - SEE STD. SCB-D7-71 FOR DETAILS OF THE DRIP PLATE. DRIP PLATES ARE TO BE USED ON FASCIA GIRDERS ONLY.

STATEWIDE - SOUTHWEST REGION
BHF MEMB(20)
SHEET 30 OF 47
BRIDGE 29
FOR REFERENCE ONLY

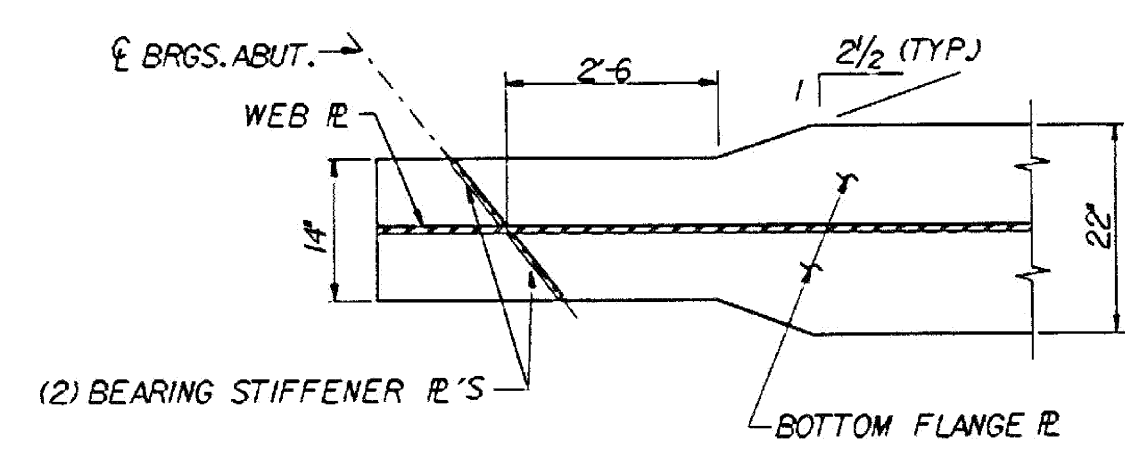


NOTE: GRINDING OF THE SPLICES SHALL BE IN ACCORDANCE WITH THE SPECIFICATIONS.

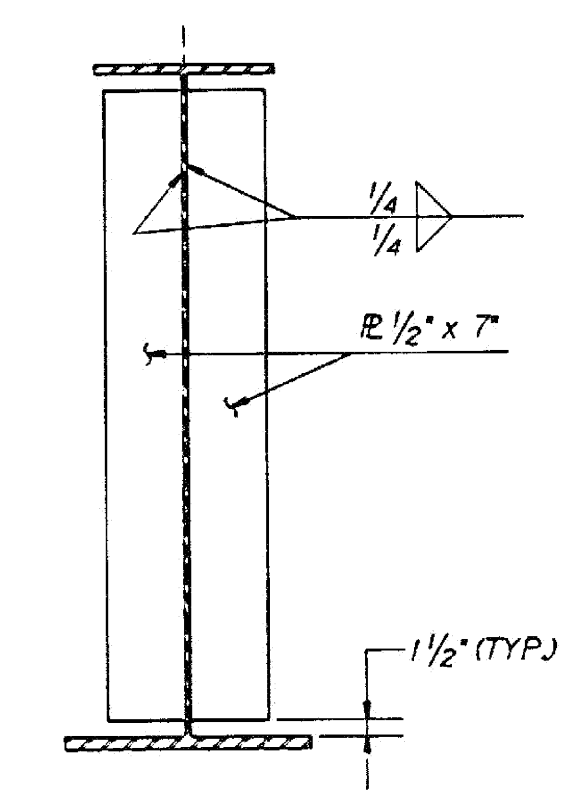
FLANGE SPLICE DETAIL
N.T.S.



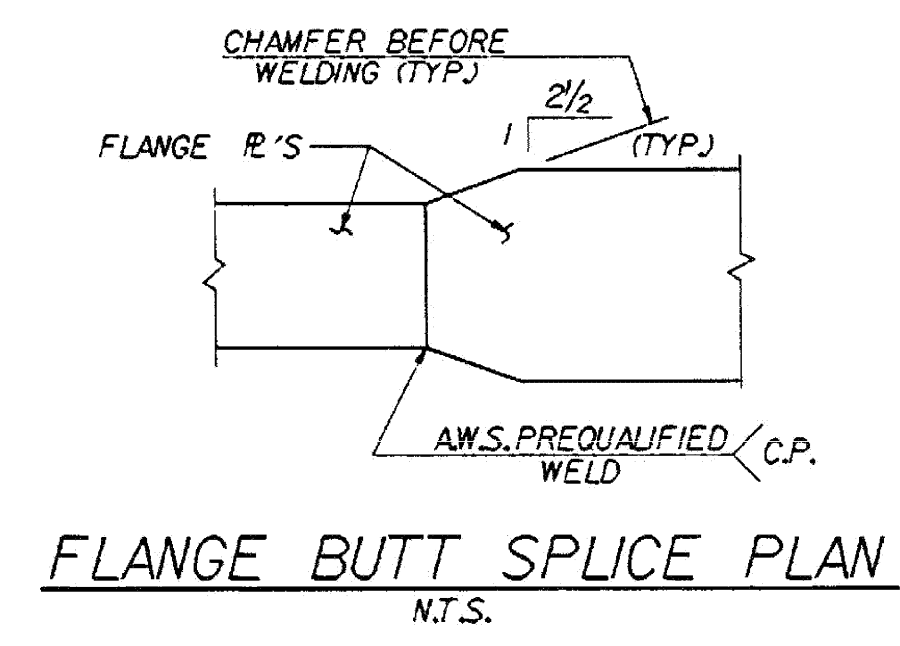
BEARING STIFFENER DETAIL
N.T.S.



DETAIL "A"
N.T.S.



DIAPHRAGM CONNECTION PLATE DETAIL
N.T.S.



FLANGE BUTT SPLICE PLAN
N.T.S.

GANNETT FLEMING TRANSPORTATION ENGINEERS, INC.

STATE OF VERMONT
AGENCY OF TRANSPORTATION

TOWN OF	JAMAICA	Bridge No.	29
HIGHWAY NO.	VT 30	Log Sta.	102 +79
		Serv. Sta.	101 + 22
VT 30 OVER WEST RIVER			
GIRDER ELEVATION			
Designed by	P.G. NORTON	Drawn by	G.P. MILAKOVIC
Checked by	M.J. WALSH	Bridge Design Supervisor	P.G. NORTON
DATE:	2-86	DATE:	3-86
PROJECT	JAMAICA	PROJECT NO.	BRF 015-1 (7)
Bridge Sheet No.	BR 109	Sheet	34 of 120