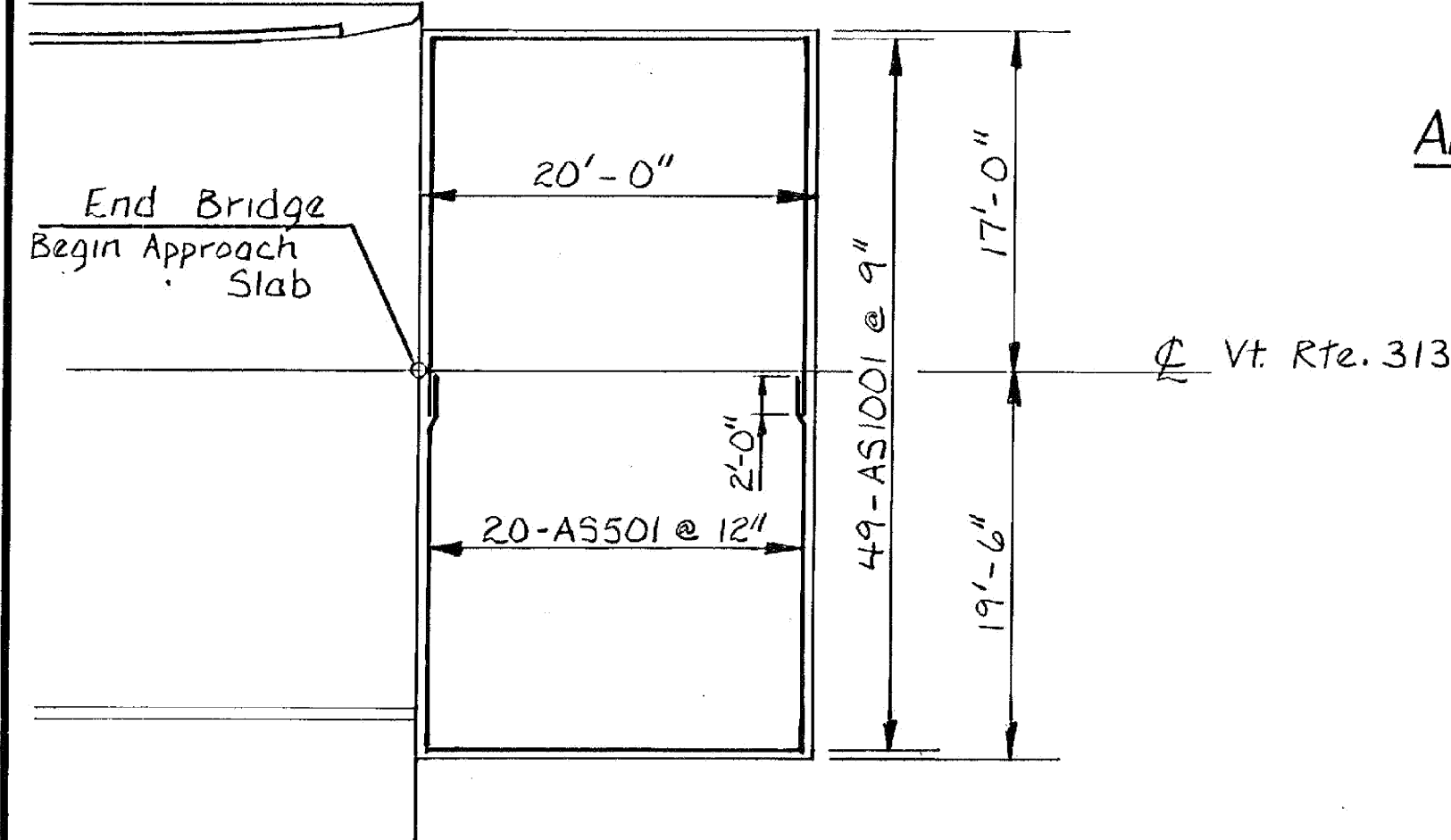
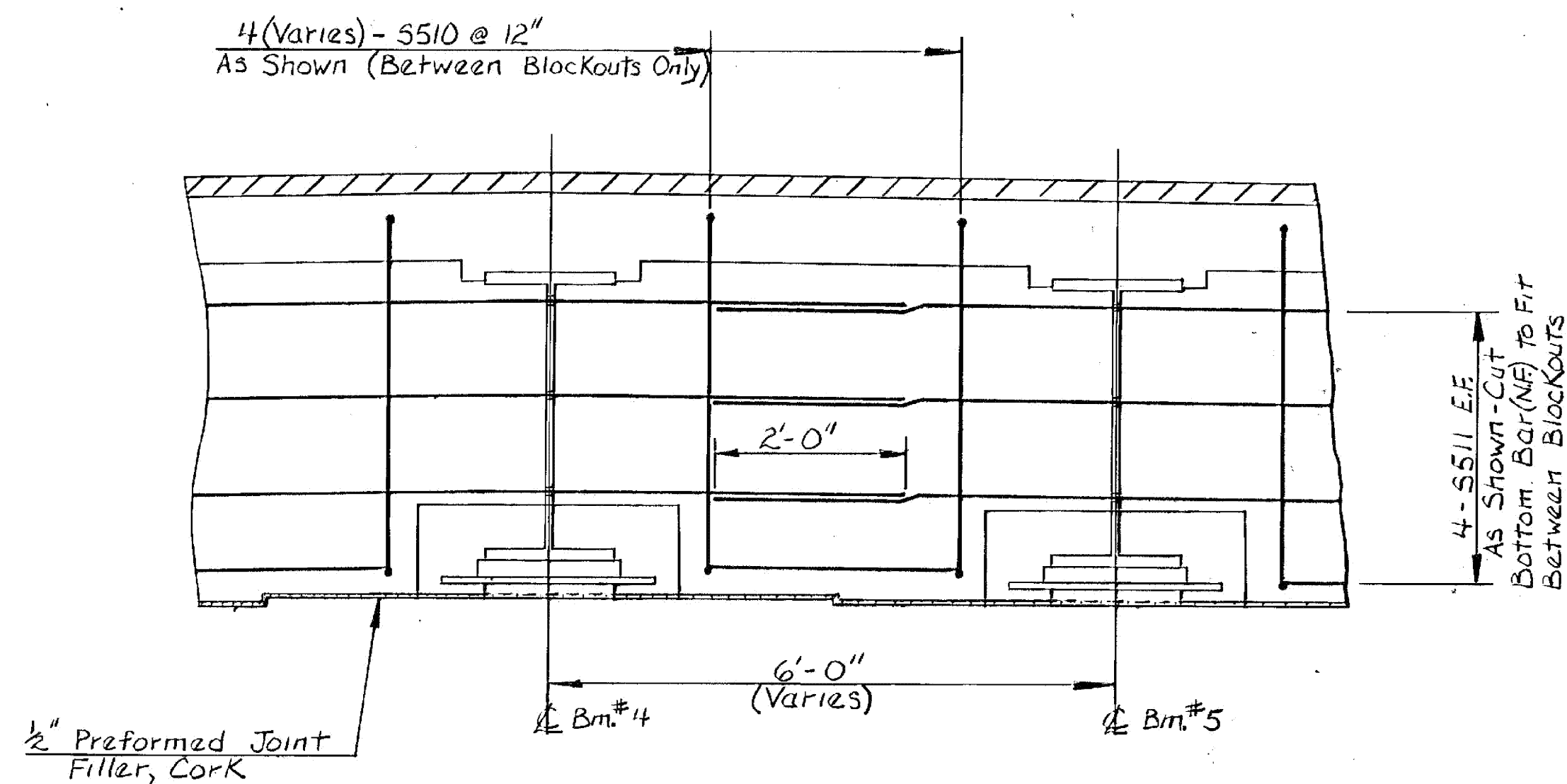


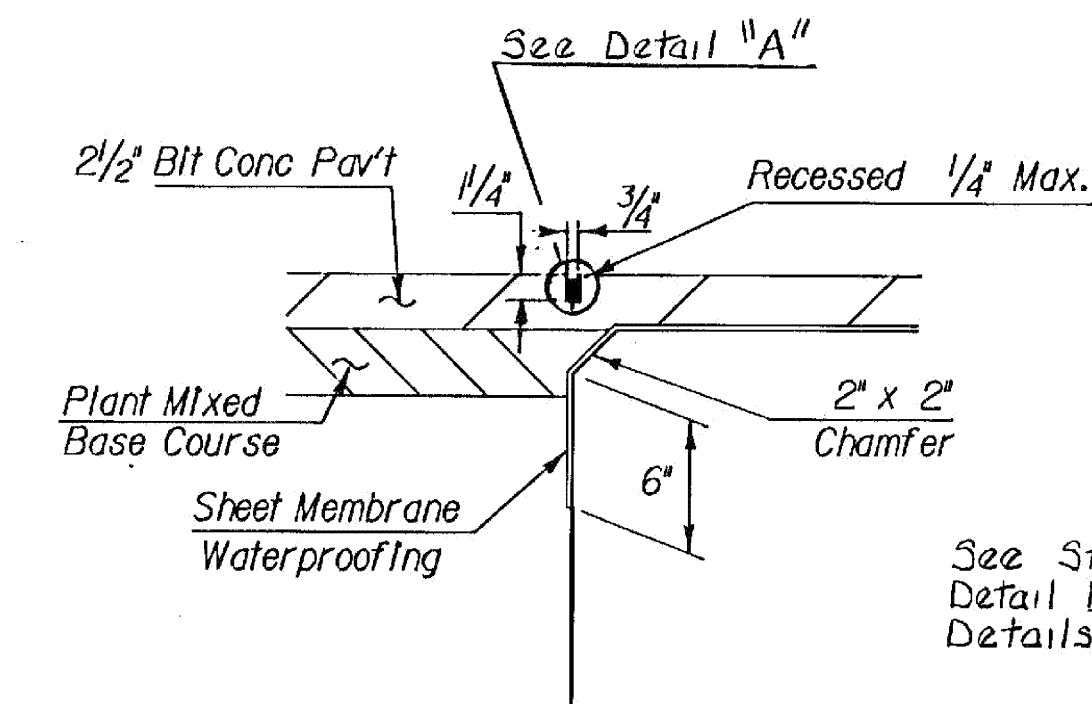
**APPROACH SLAB SECTIONS**  
Scale: 3/8" = 1'-0"



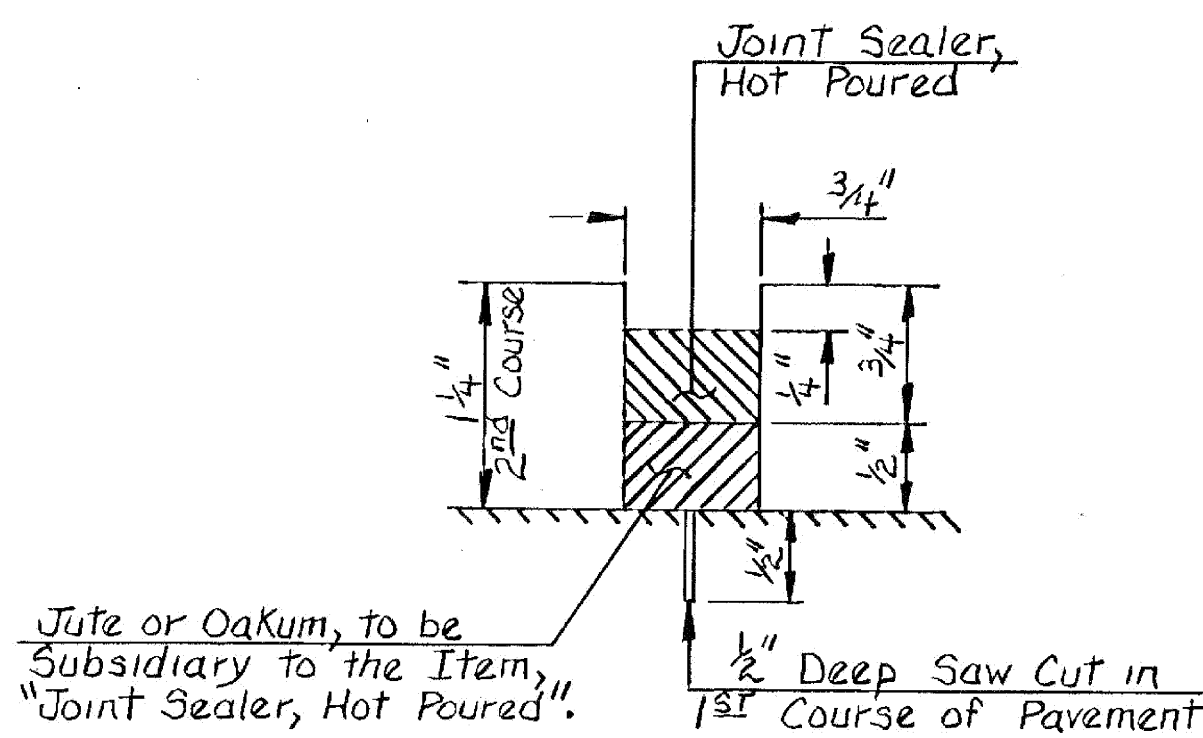
**APPROACH SLAB PLAN (TYPICAL BOTH ENDS)**  
Scale: 1/8" = 1'-0"



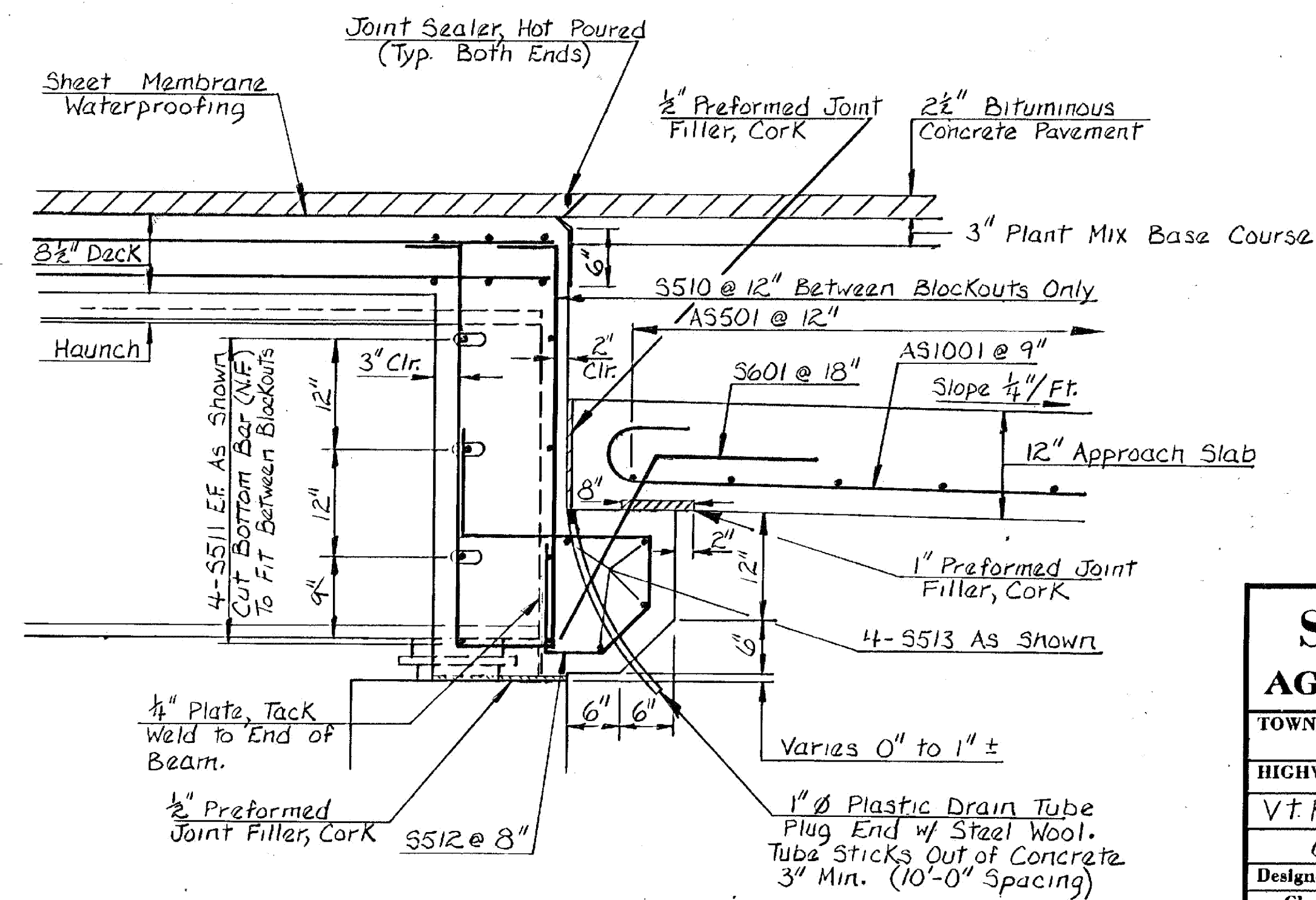
**CURTAIN WALL ELEVATION**  
Scale: 3/4" = 1'-0"



**JOINT SEALER DETAIL**  
Scale: 1/2" = 1'-0"



**DETAIL "A"**  
Scale: 1" = 1'



**CURTAIN WALL DETAIL**  
Scale: 1" = 1'-0"

STATEWIDE - SOUTHWEST REGION  
BHF MEMB(20)  
SHEET 21 OF 47  
BRIDGE 6  
FOR REFERENCE ONLY

<b>STATE OF VERMONT</b>	
<b>AGENCY OF TRANSPORTATION</b>	
TOWN OF <b>ARLINGTON</b>	Bridge No. <b>6</b>
HIGHWAY NO. <b>VT. RTE. 313</b>	Log Sta. <b>342+71</b>
Vt. Rte. 313 over the Batten Kill Backwater	
<b>CURTAIN WALL &amp; APPROACH SLAB DETAILS</b>	
Designed by <b>K.R. SIKORA</b>	Drawn by <b>K.R. SIKORA</b>
Checked by <b>E.L. Blodgett</b> date <b>5/84</b>	Bridge Design Supervisor <b>F.W. Bolkom</b> date <b>8/84</b>
PROJECT <b>ARLINGTON</b>	PROJECT NO. <b>BRS 0108 (2)</b>
Bridge Sheet No. <b>BR608</b>	Sheet <b>40</b> of <b>105</b>

BR-6-'83