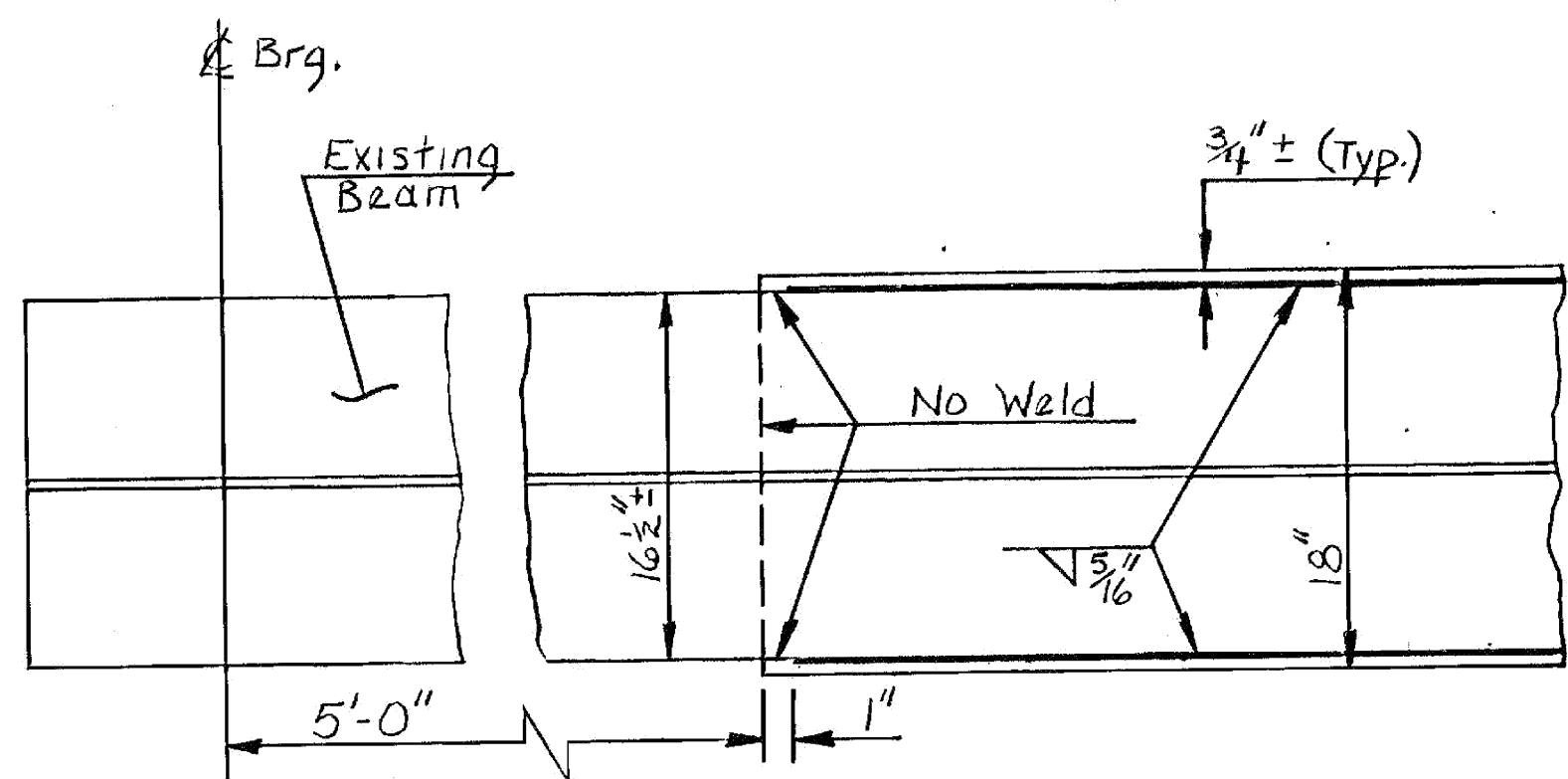
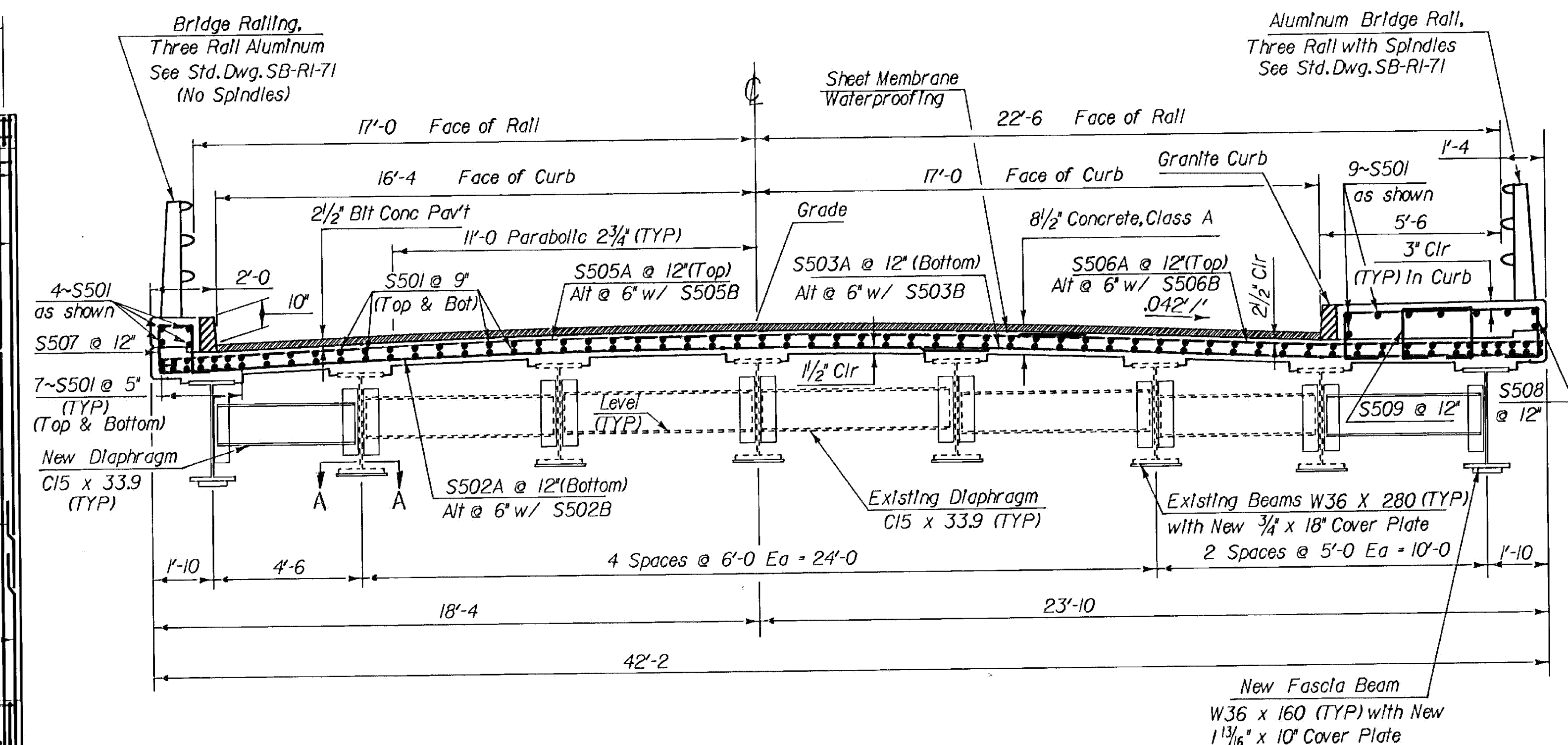


DECK REINFORCING PLAN  
Scale  $\frac{3}{16}'' = 1'-0''$

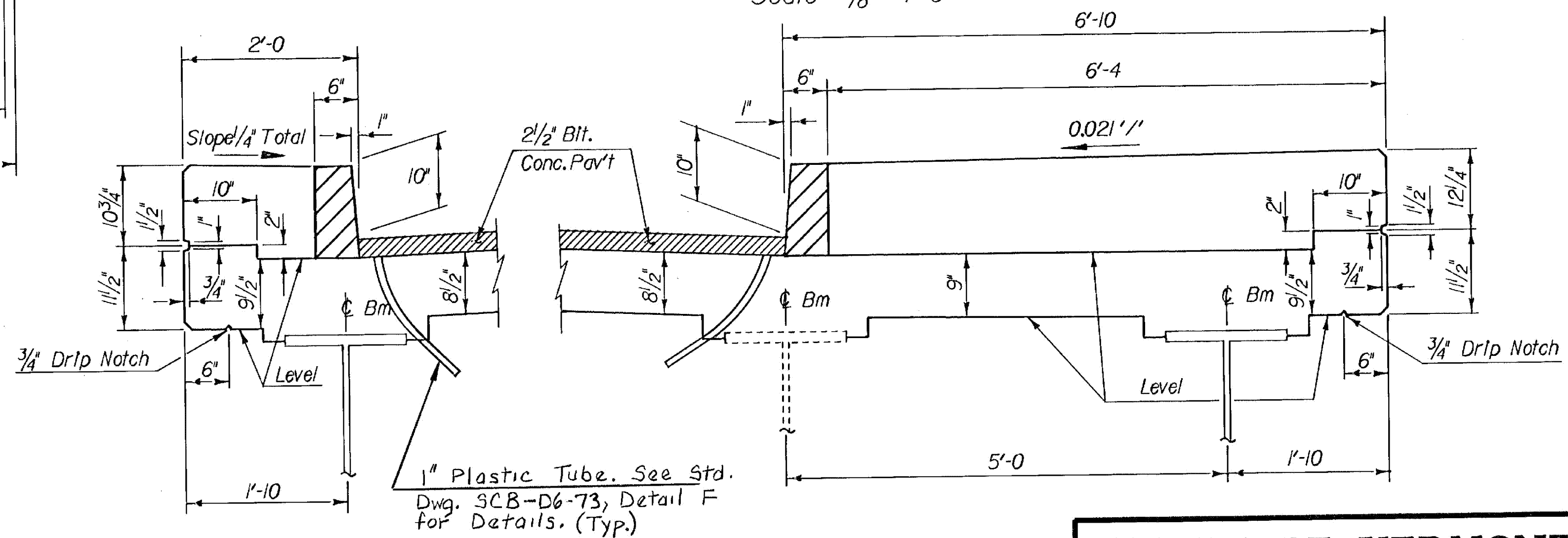


SECTION A-A  
Scale:  $1\frac{1}{2}'' = 1'-0''$



BRIDGE TYPICAL SECTION

Scale  $\frac{3}{8}'' = 1'-0''$



CURB & SIDEWALK DETAIL

Scale  $1'' = 1'-0''$

STATEWIDE - SOUTHWEST REGION  
BHF MEMB(20)  
SHEET 19 OF 47  
BRIDGE 6  
FOR REFERENCE ONLY

STATE OF VERMONT AGENCY OF TRANSPORTATION			
Town Of	ARLINGTON	Bridge No.	6
Highway No.	VT RTE 313	Log Sta.	342 + 71
		Surv. Sta.	342 + 71.11
VT RTE 313 over the BATTEN KILL BACKWATER			
SUPERSTRUCTURE DETAILS			
Designed By	S. FARNSWORTH	Drawn By	E. BLODGETT
Checked By	Date	Bridge Design Supervisor	
K.R. Sikora	5/84	F.W. Balkum	Date 8/84
PROJECT	ARLINGTON	PROJECT NO.	BRS 0108(2)
I.G.C. info.	OS44302378F160556.DGN		
Bridge Sheet No.	BR604	Sheet	36 of 105