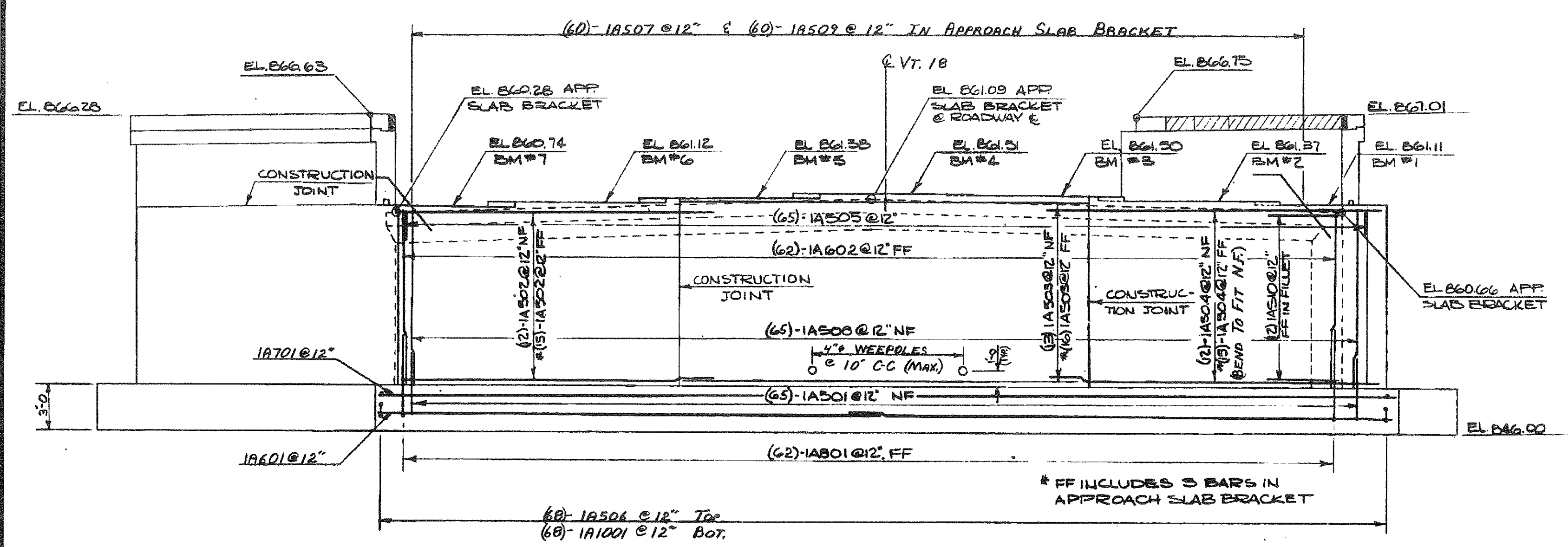
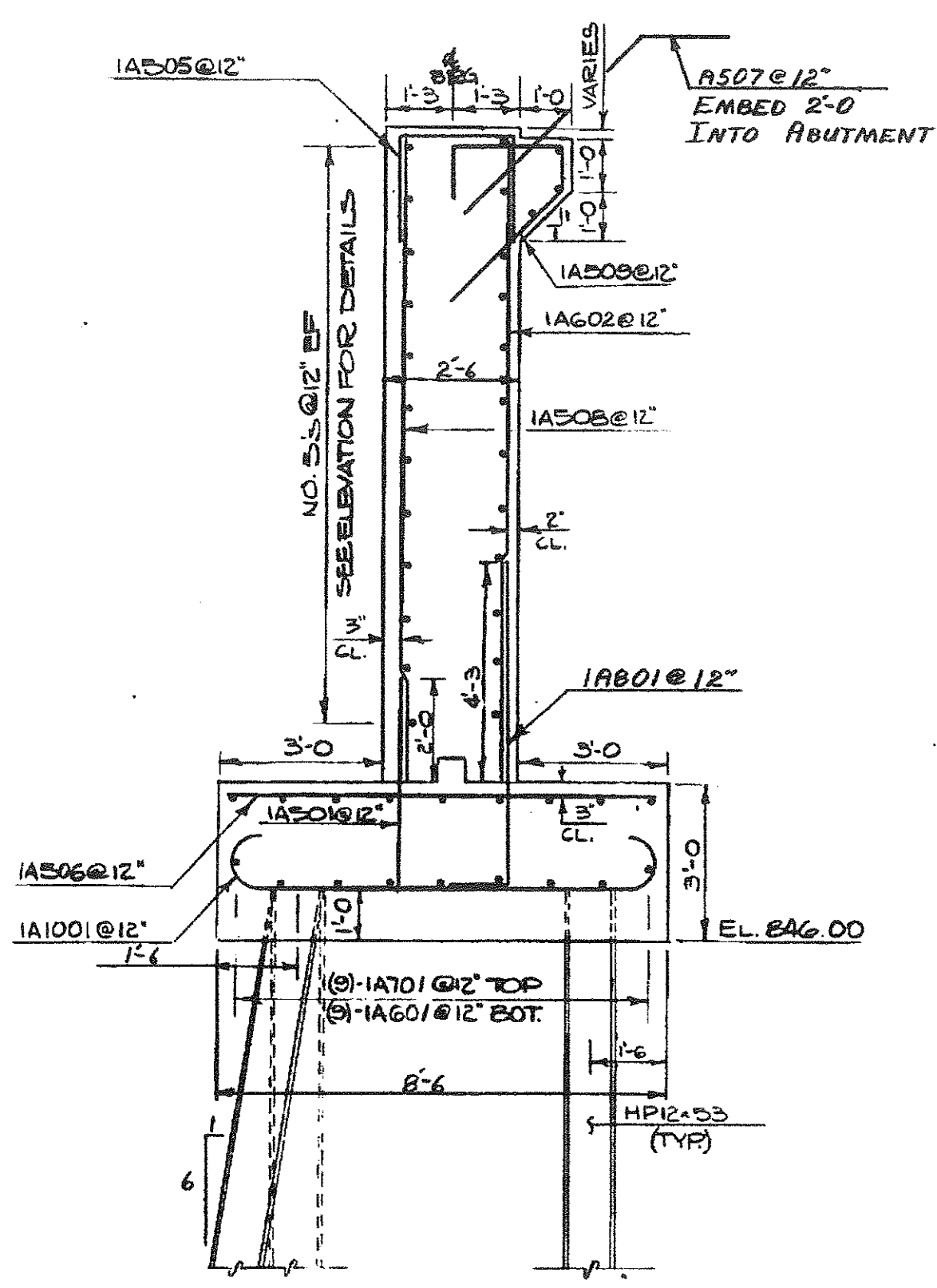


PLAN
SCALE: 3/16" = 1'-0"



ELEVATION
SCALE: 3/16" = 1'-0"



TYPICAL SECTION - ABUTMENT No. 1
SCALE: 3/8" = 1'-0"

FOOTING REINFORCEMENT - ABUTMENT No. 1
SCALE: 3/16" = 1'-0"

- NOTES
1. FOR WINGWALLS #2 AND CORNER DETAILS SEE SHEET BR911.
 2. 4" WEEPHOLES SHALL BE SPACED @ 10'-0" MAX. THEY SHALL BE PLACED 1'-0" ABOVE THE TOPS OF FOOTINGS AND SHALL SLOPE 1/4" / FT.
 3. SEE SHEET BR911 FOR A COMPLETE PILE LAYOUT
 4. APPROACH SLAB BRACKET AND FILLET SHALL SLOPE 1/4" / FT TO MATCH THE SLOPE OF APPROACH SLAB
 5. FOR GRANITE CURB DETAILS SEE SCB-D4-76 AND SCB-D6-73 DETAIL (A)

STATEWIDE - N.E. REGION
BHF MEMB(19)
SHEET 71 OF 80
BRIDGE No. 9
FOR REFERENCE ONLY
STATE OF VERMONT
AGENCY OF TRANSPORTATION

TOWN OF	WATERFORD	Bridge No.	9
HIGHWAY NO.	Vt 18	Leg Sta.	
		Serv. Sta.	150+00
VT. 18 OVER I-93			
ABUTMENT NO. 1 DETAILS			
Designed by	D. E. LATHROP	Drawn by	C. BENDA
Checked by	M. CERUTTI	Bridge Design Supervisor	R. L. O'NEIL
	date 7/80		date 7-80
PROJECT	WATERFORD	PROJECT NO.	I93-1(3) CONT. 2
Bridge Sheet No.	BR910	Sheet	186 of 531