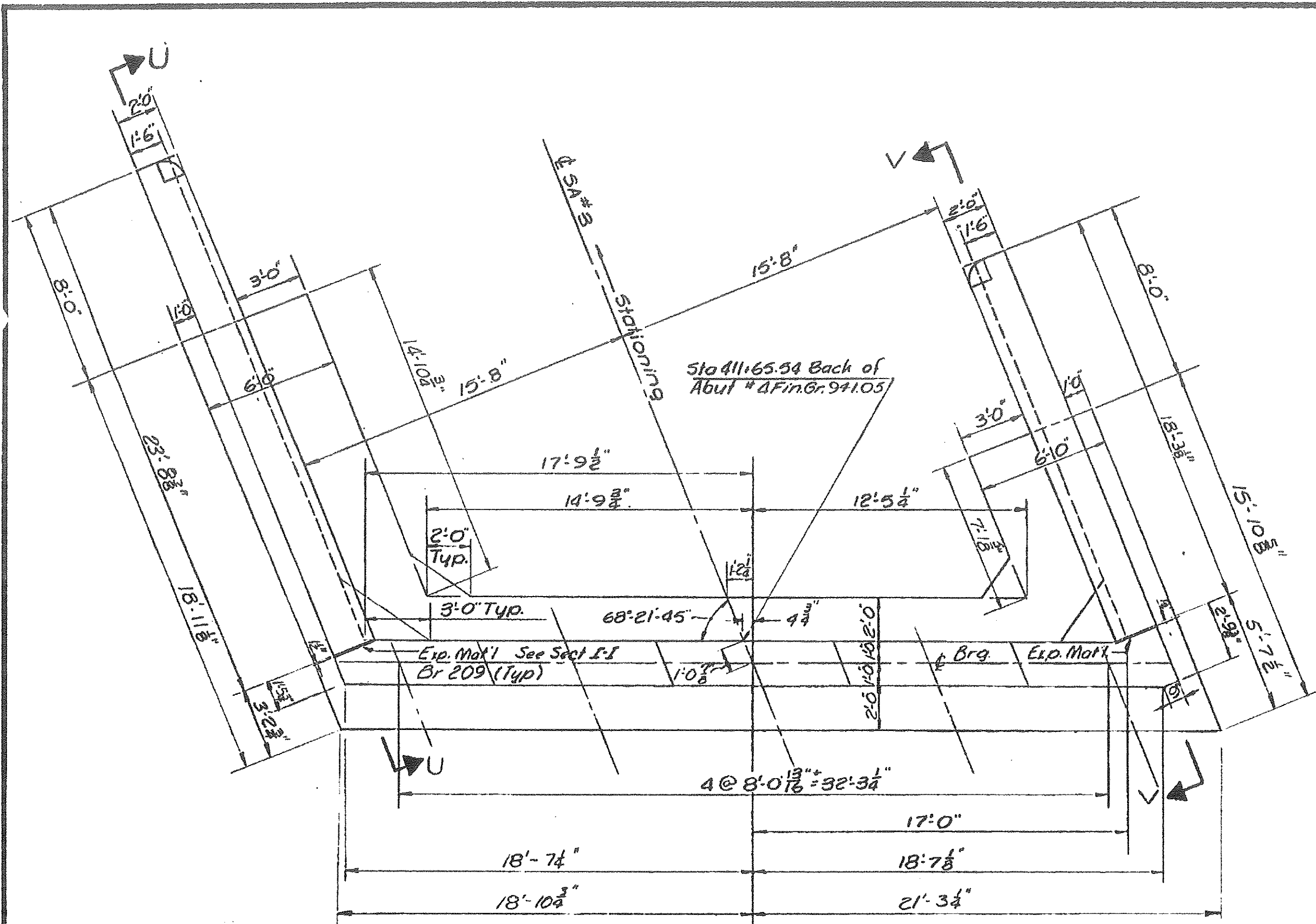
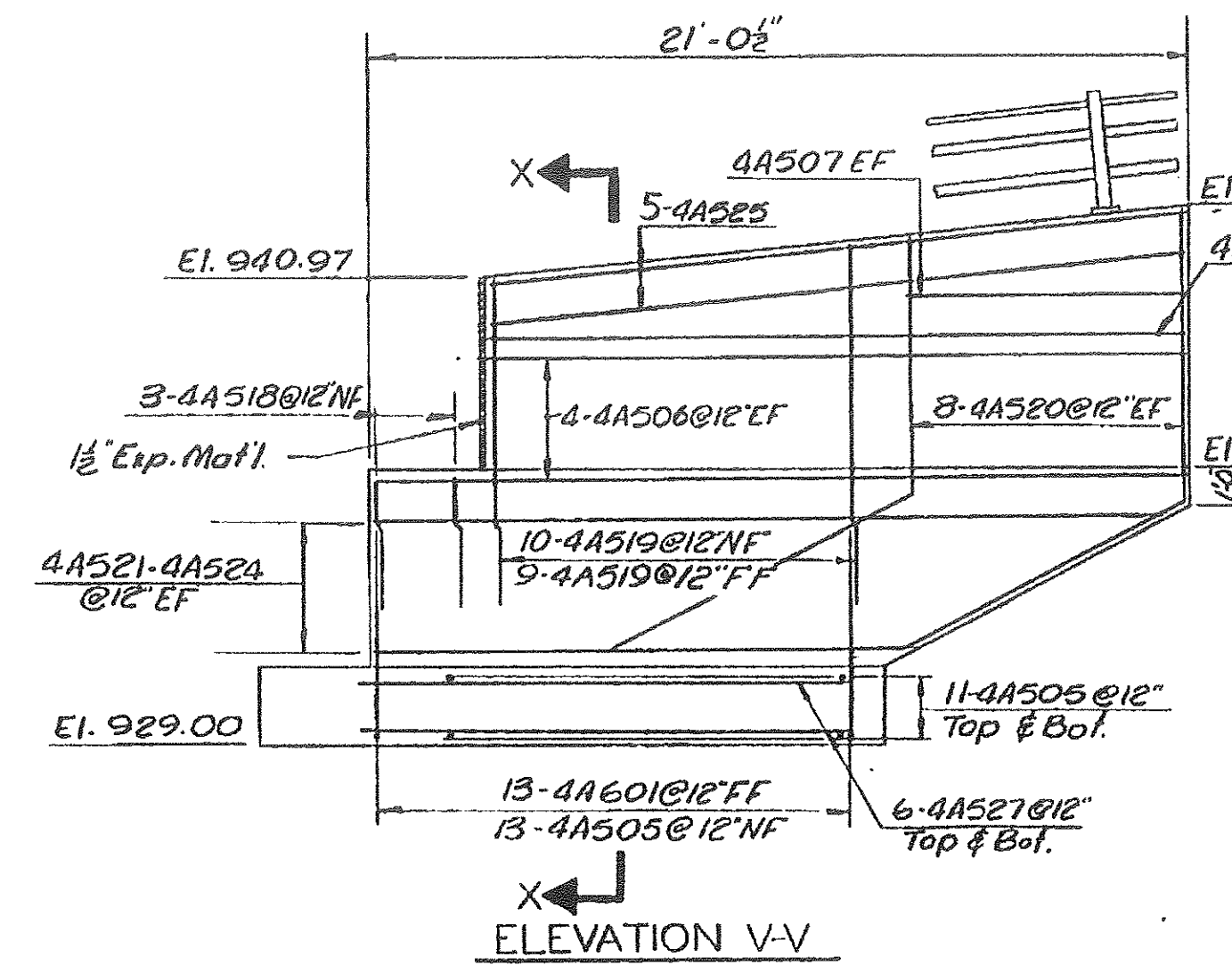


STATEWIDE - N.E. REGION  
 BHF MEMB(19)  
 SHEET 54 OF 80  
 BRIDGE No. D08N & D08S  
 FOR REFERENCE ONLY

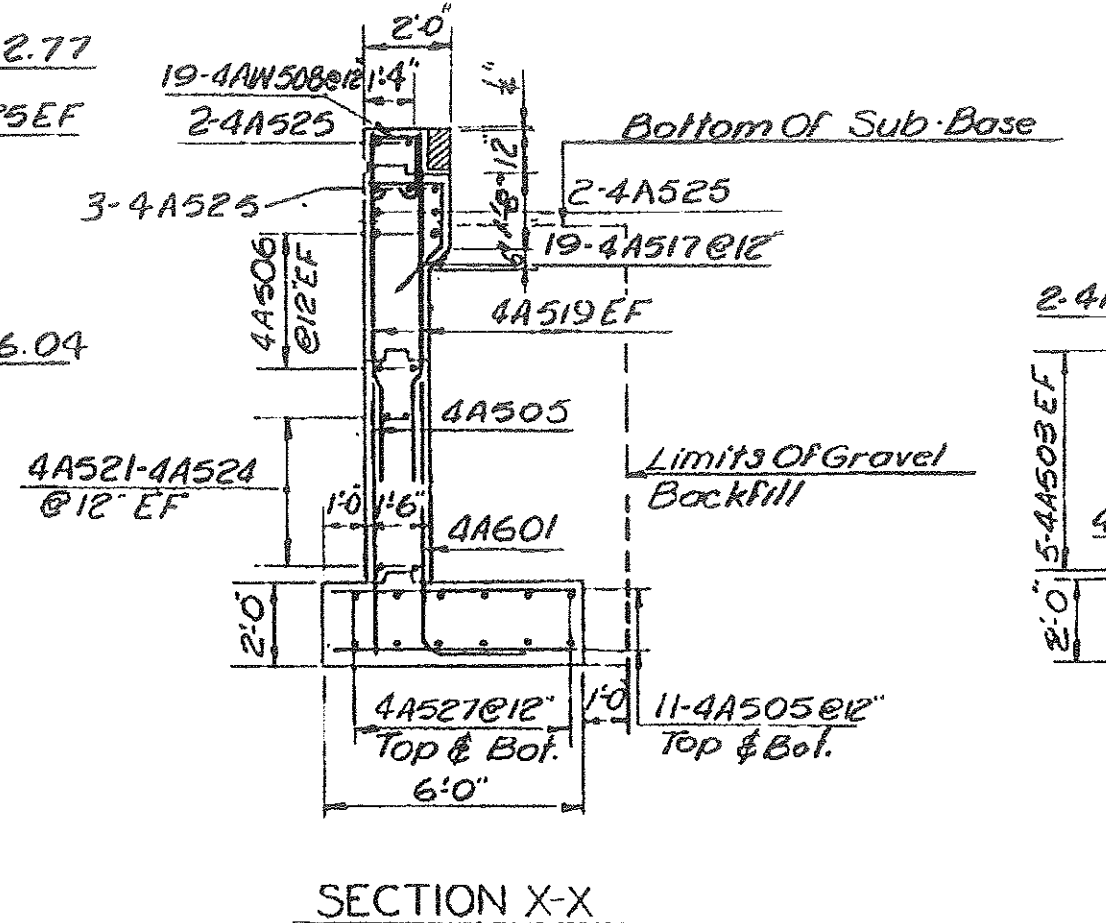


PLAN

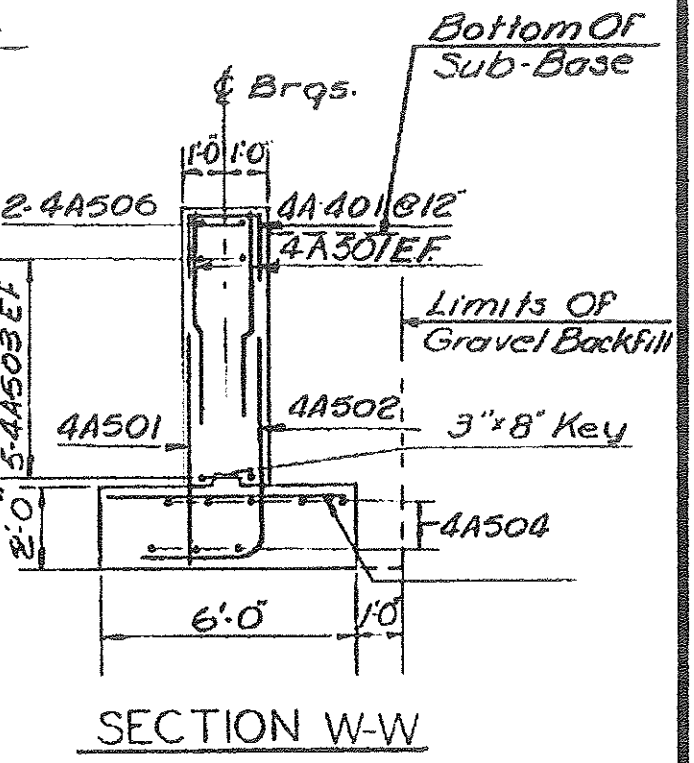
For Corner Reinforcing Details, Superstructure Details At Abutment  
 And Abutment Notes See Br. Sh. 207  
 For Curb Joint Detail See Br. Sh. 209



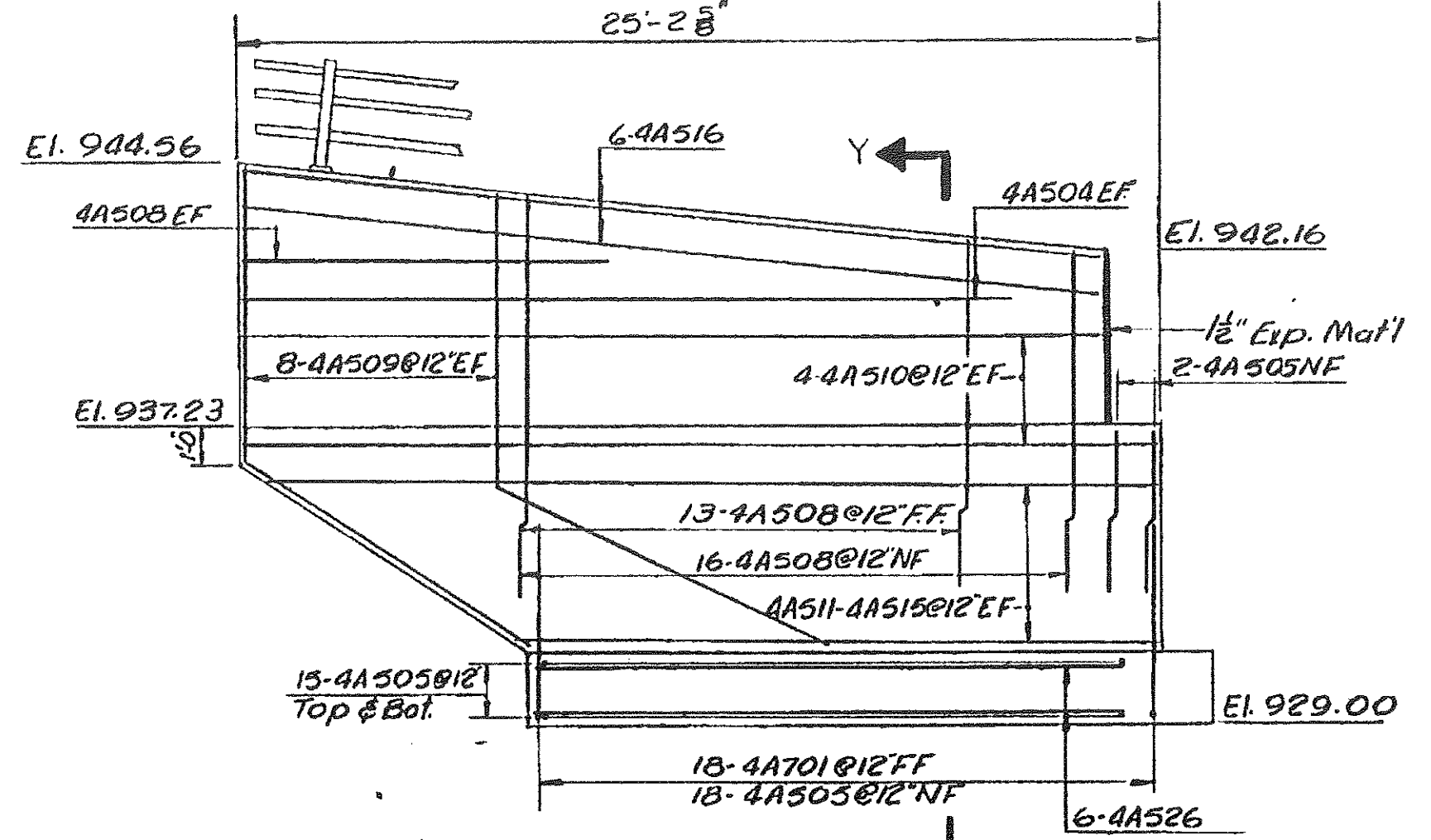
ELEVATION V-V



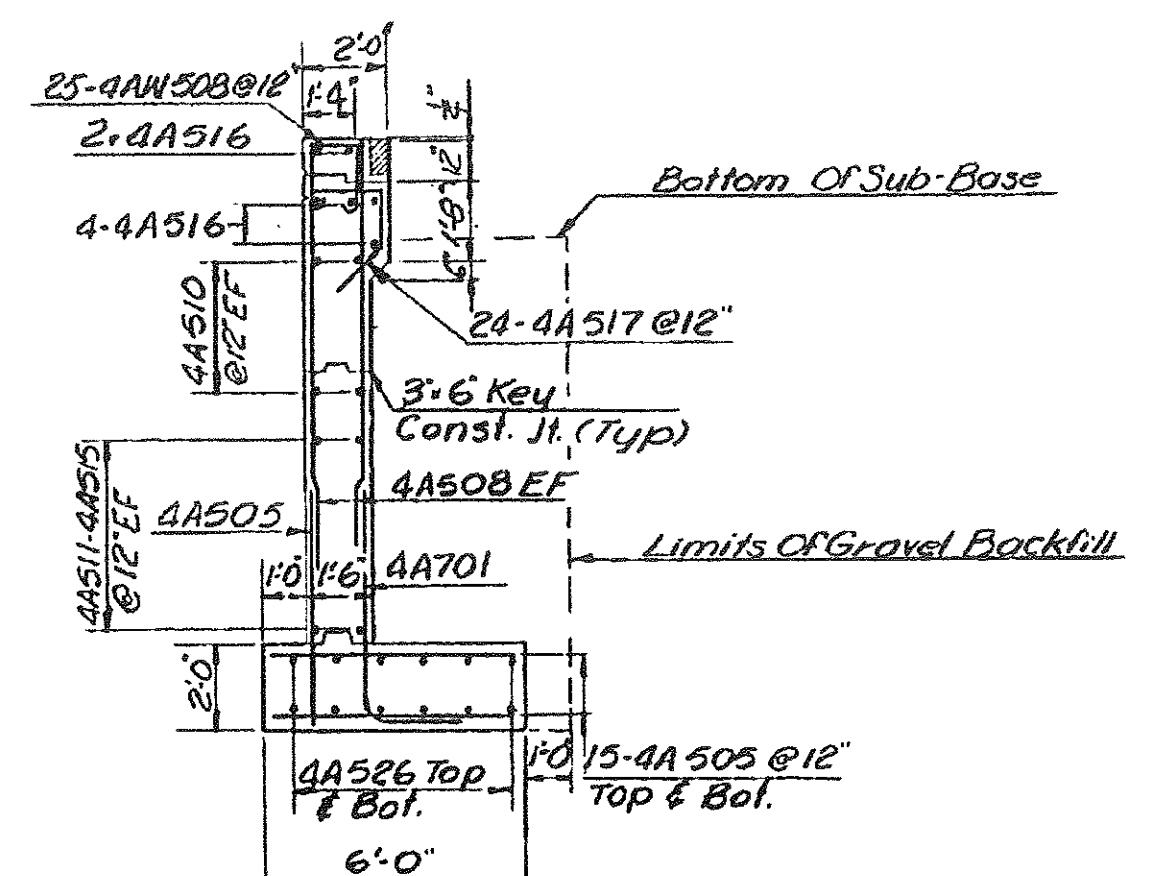
SECTION X-X



SECTION W-W

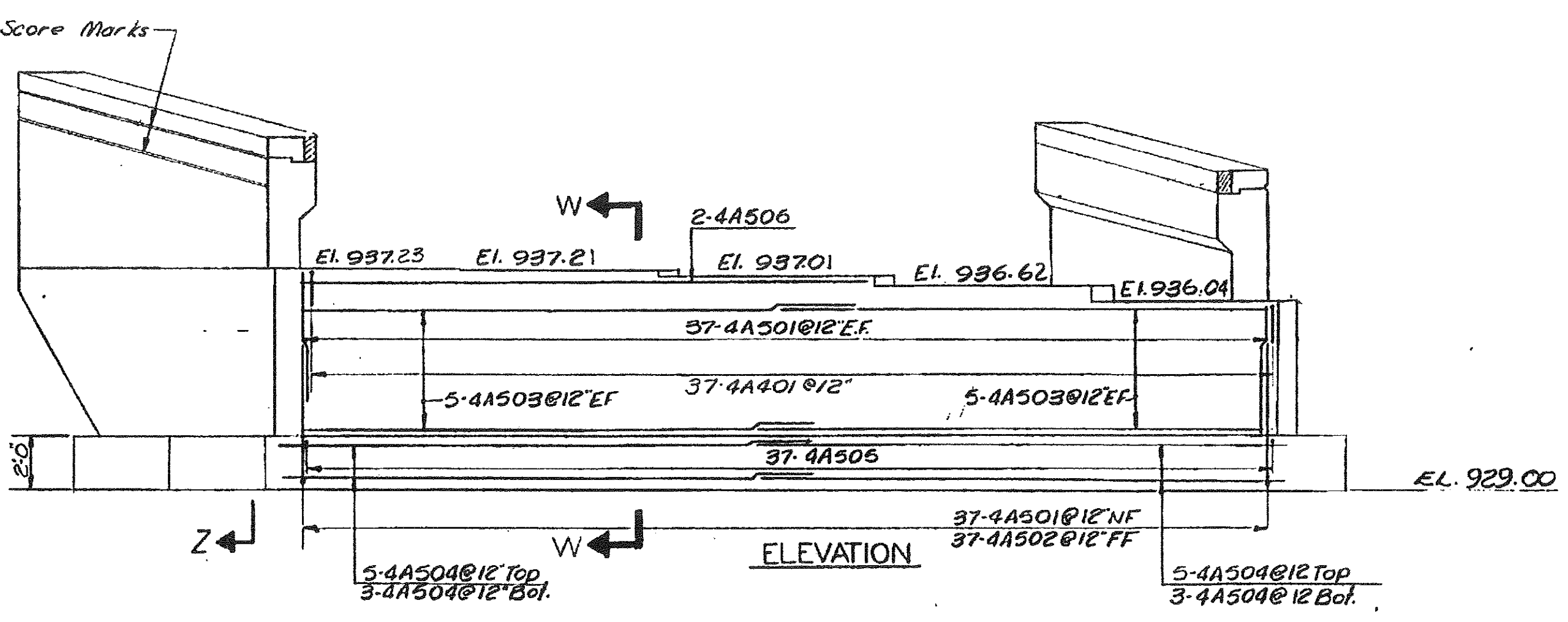


ELEVATION U-U



SECTION Y-Y

BR 210 OF 212



ELEVATION

ITEM NO.	ITEM	UNIT	NET	TOTAL	FINAL
	CHAN. EXCAV. OF EARTH	C. Y.			
	CHAN. EXCAV. OF ROCK	C. Y.			
	UNCLASS. CHAN. EXCAV.	C. Y.			
	STRUCT. EXCAV.	C. Y.			
	CONC. CLASS AA (MOD.)	C. Y.			
	CONC. CLASS B (MOD.)	C. Y.			
	REINF. STEEL	LBS.			
	ASPHALTIC-ASB. COATING	S. Y.			
	TREATED TIMBER PILING	L. F.			
	SPLICES FOR STEEL PILING	EA.			
	STEEL PILING	L. F.			
	UNTREATED TIMBER PILING	L. F.			
Some Changes on BR 207					
R. E. S. 3/4/69					

STATE OF VERMONT  
 DEPARTMENT OF HIGHWAYS  
 PROJECT IRASBURG - DERBY  
 TOWN OF COVENTRY  
 ROUTE No. I-91 STA. 2633 ±  
 SA 3 OVER I-91  
 ABUTMENT #4  
 SCALE 1/4 IN. = 1 FT.  
 IN CHARGE EDWARDS & KELCEY  
 DRAWN BY D. LEE CHECKED BY A. CENTORE  
 PROJECT No. I-91-3(8)  
 SHEET 209 OF 605 BR 210