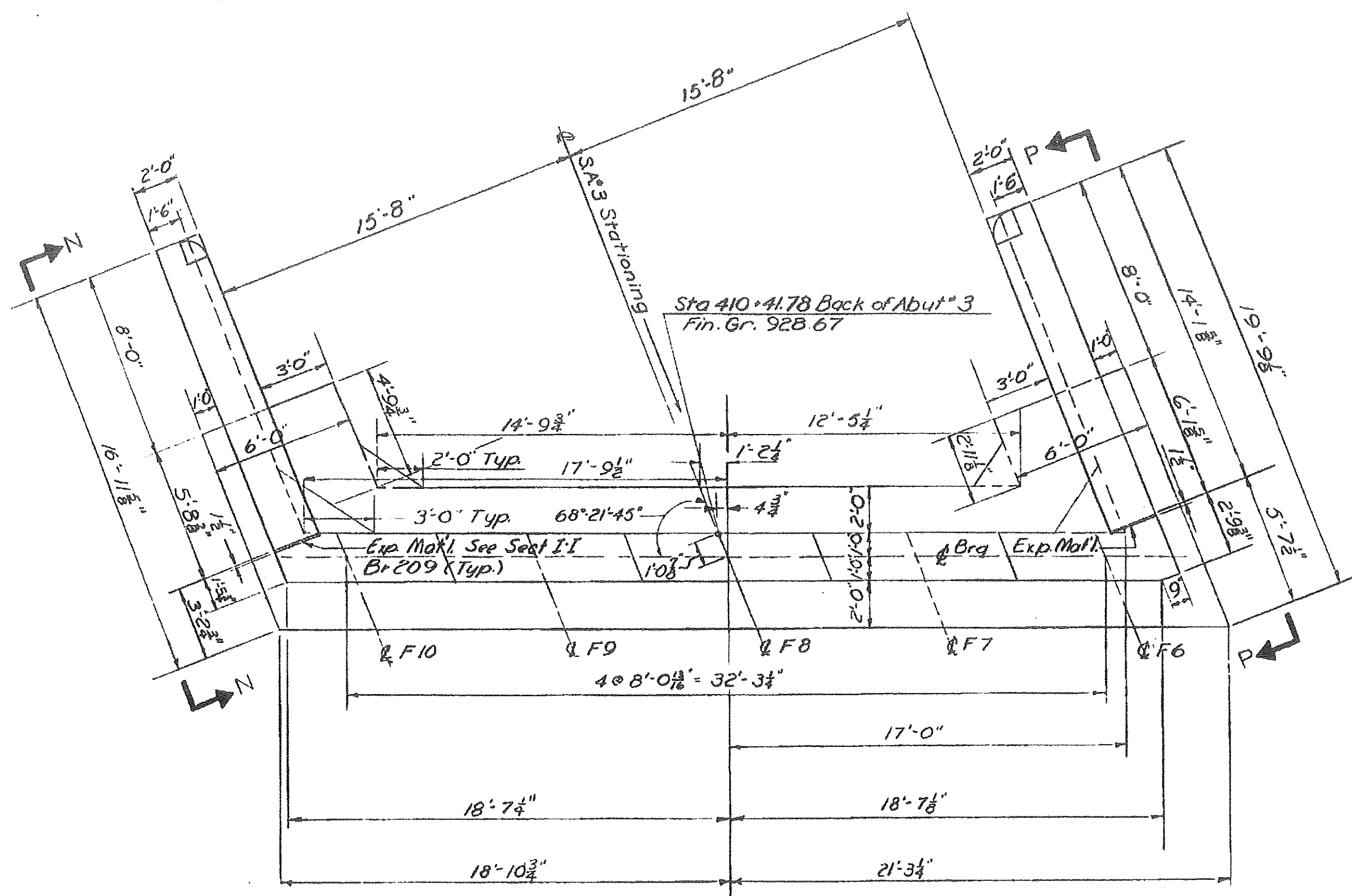
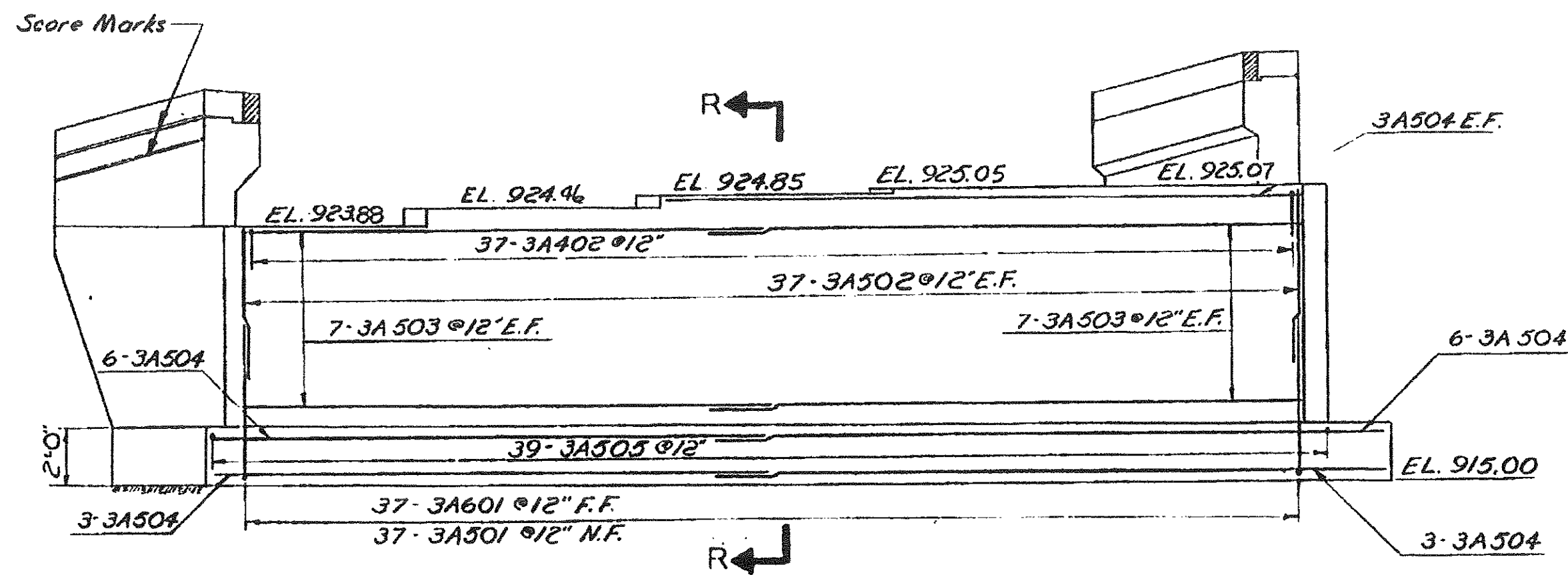


STATEWIDE - N.E. REGION
 BHF MEMB(19)
 SHEET 53 OF 80
 BRIDGE No. D08N & D08S
 FOR REFERENCE ONLY

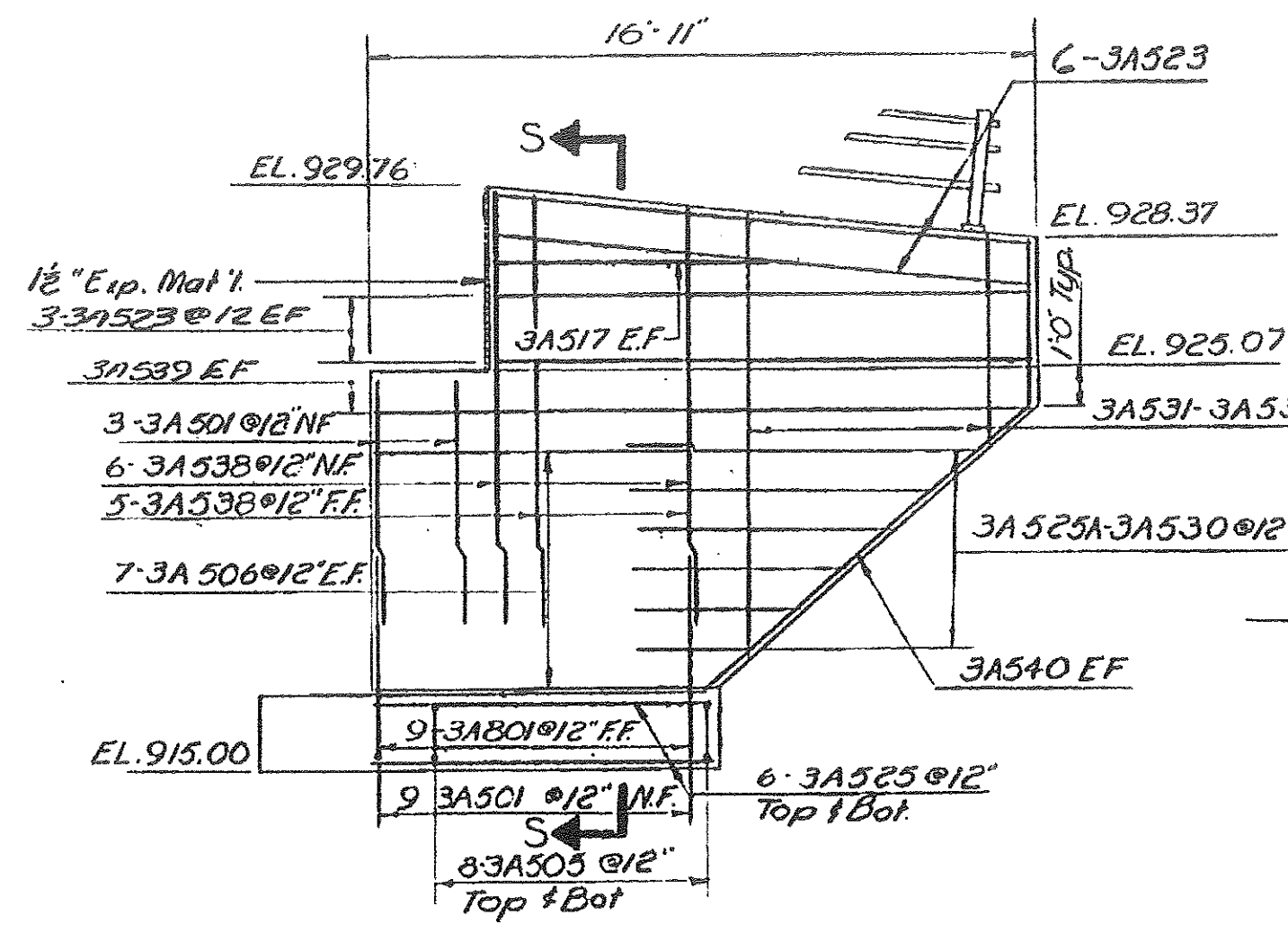


PLAN

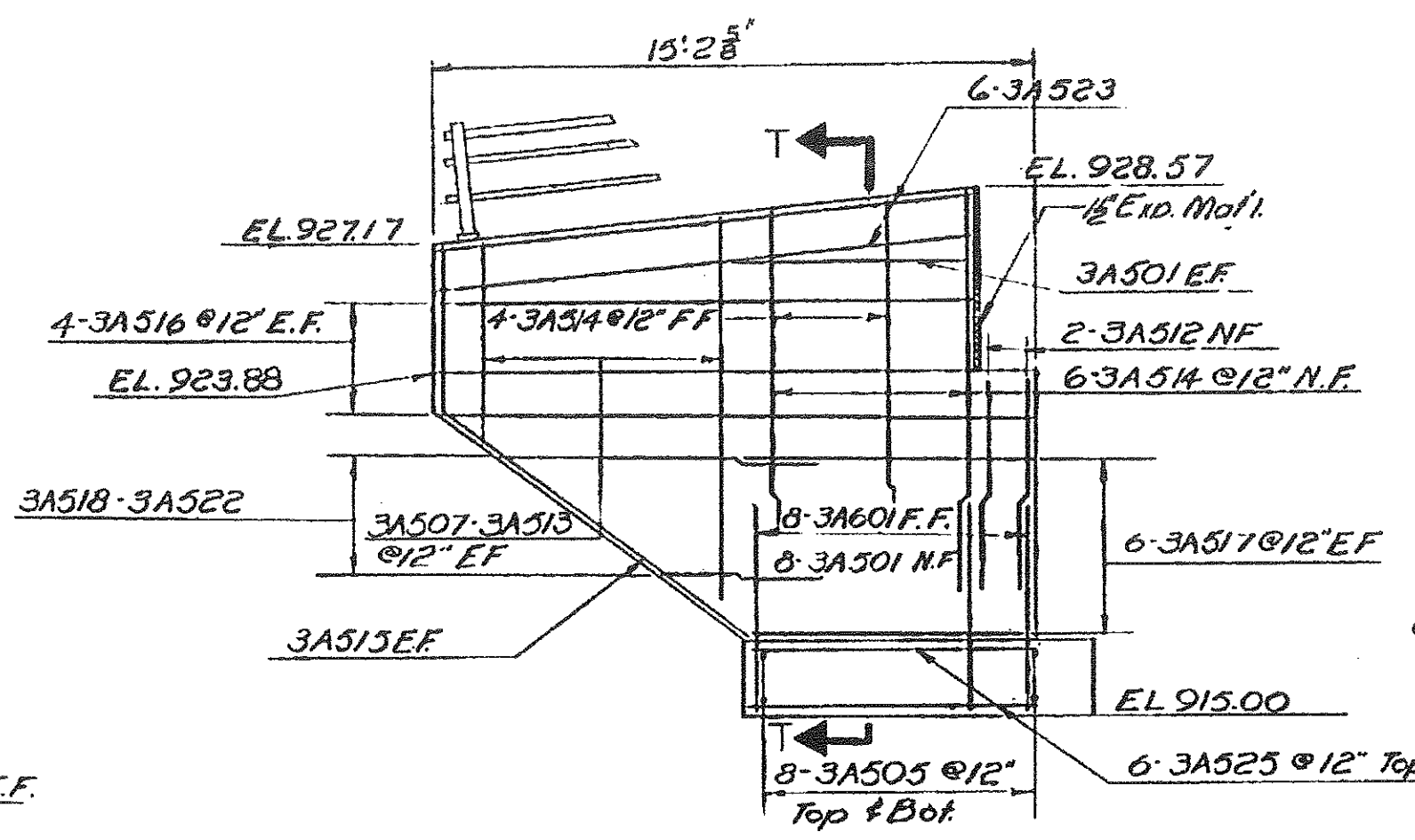
For Corner Reinforcing Details, Superstructure Details At Abutment
 And Abutment Notes See Br. Sh.207



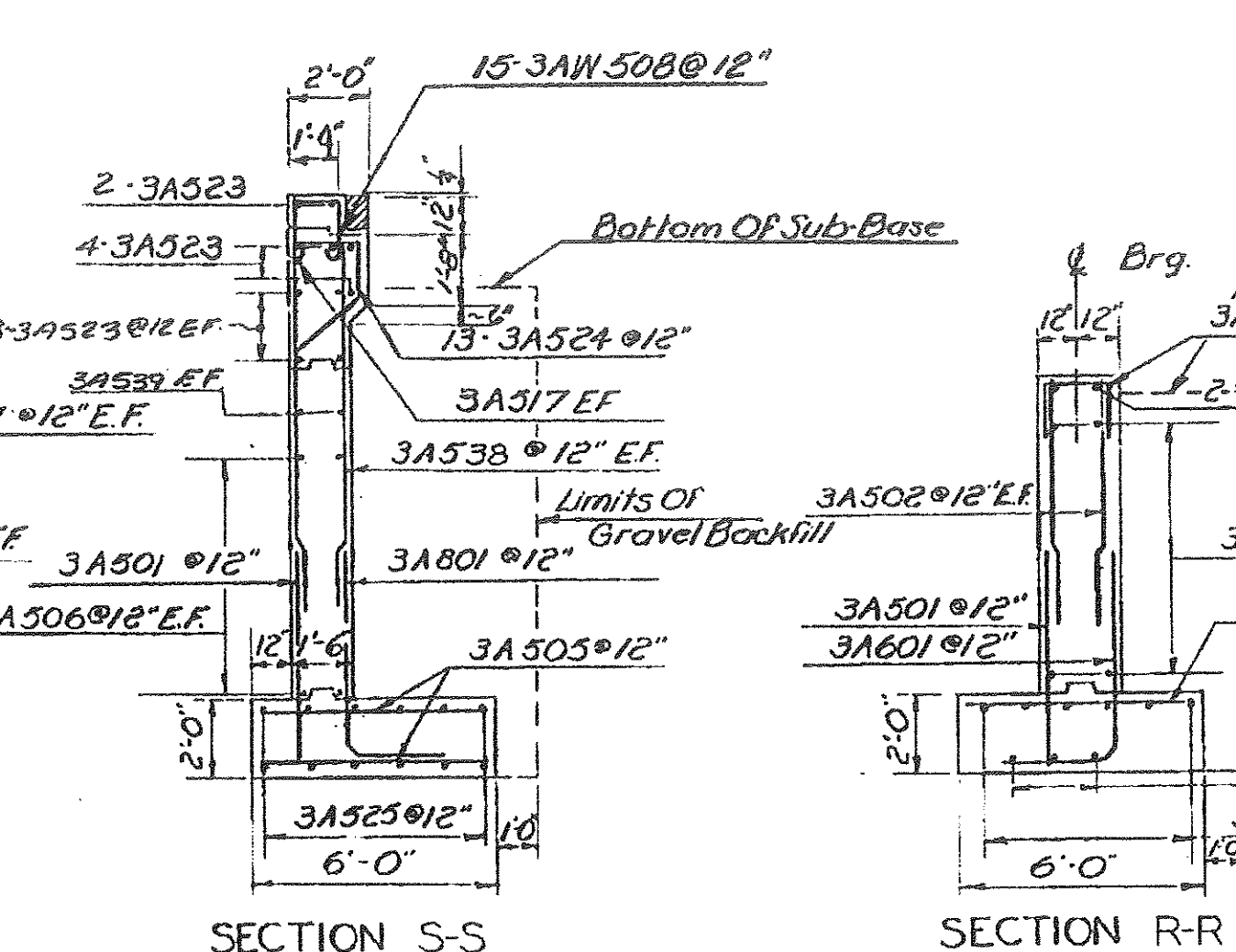
ELEVATION



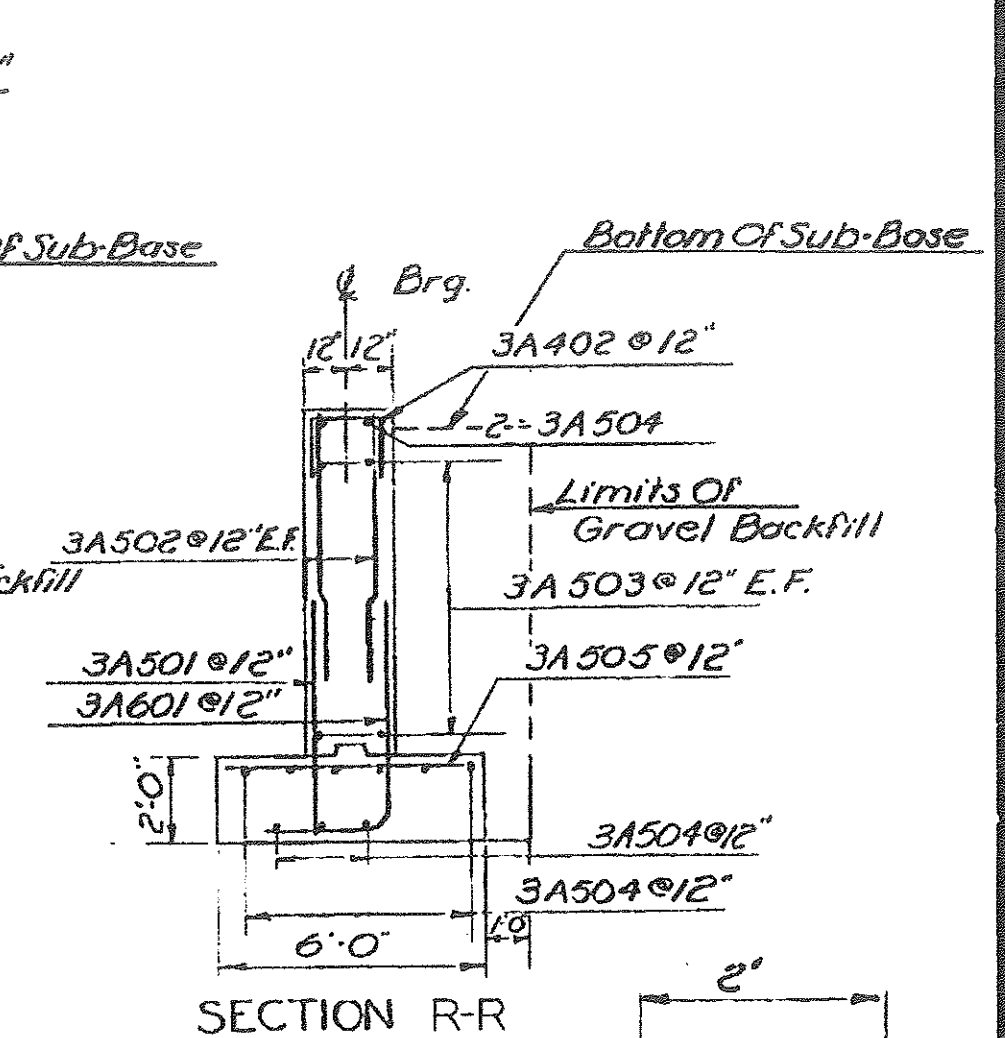
ELEVATION P-P



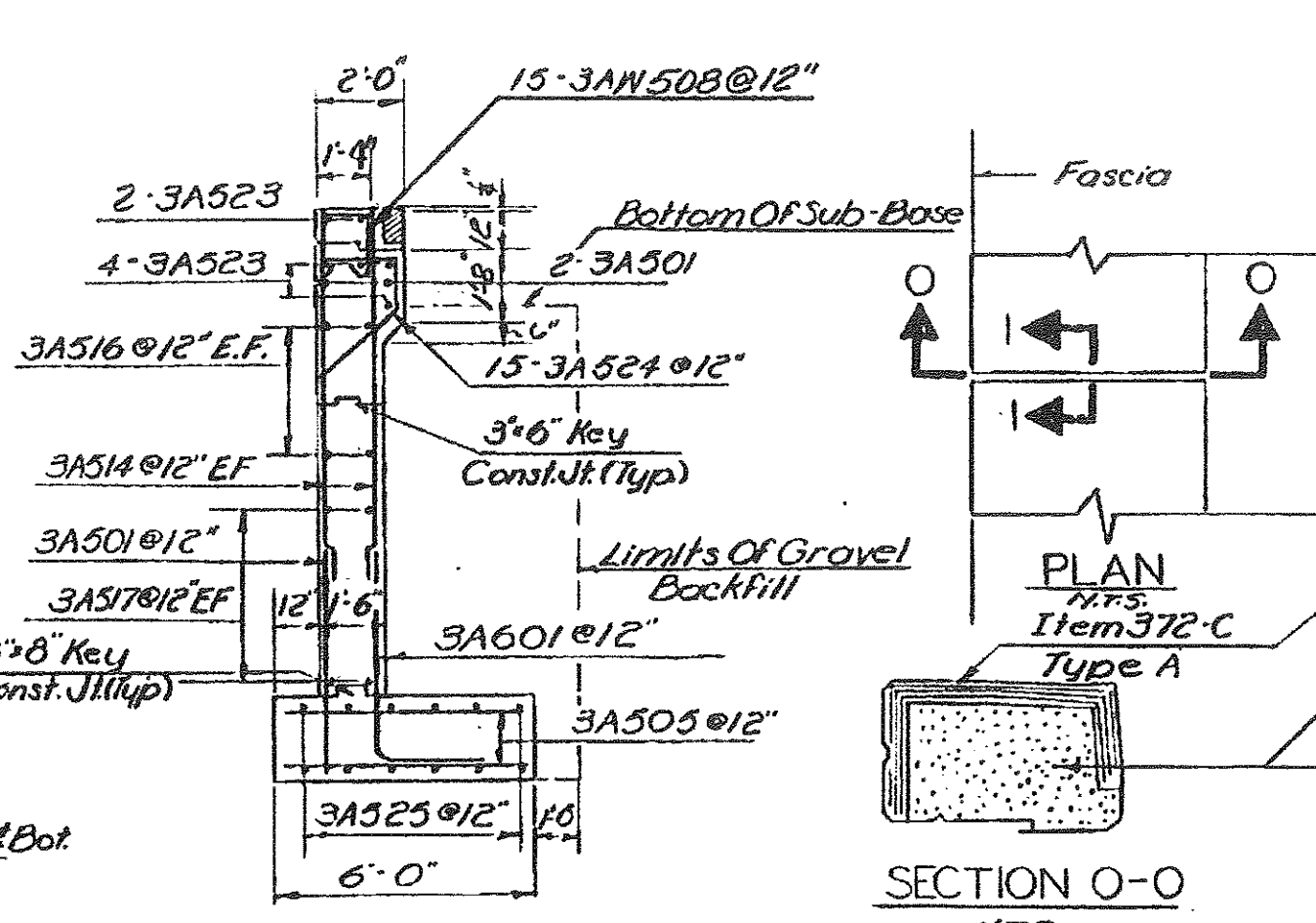
ELEVATION N-N



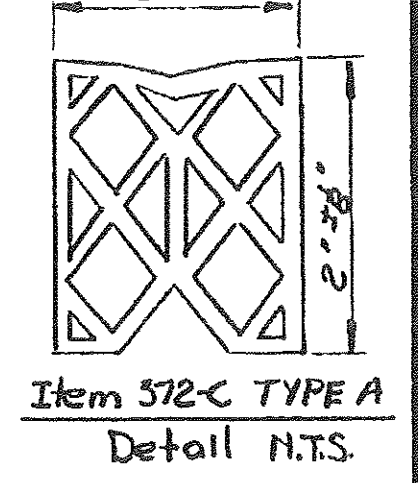
SECTION S-S



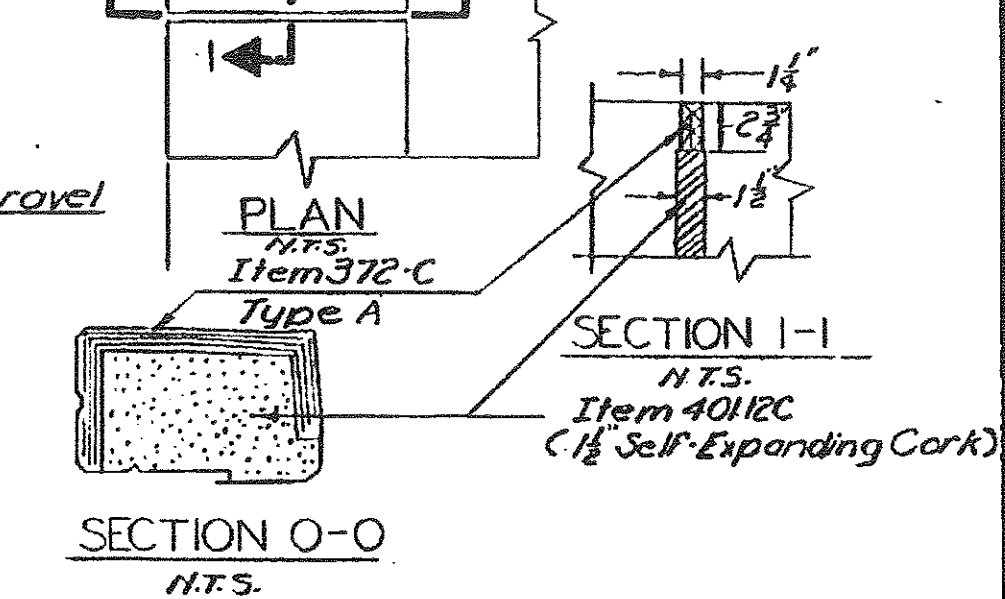
SECTION R-R



SECTION T-T



Item 572-C TYPE A
 Detail N.T.S.



SECTION O-O
 N.T.S.

CURB JOINT DETAIL
 N.T.S. Br. 2090F212

ITEM NO.	ITEM	UNIT	NET	TOTAL	FINAL
	CHAN. EXCAV. OF EARTH	C. Y.			
	CHAN. EXCAV. OF ROCK	C. Y.			
	UNCLAS. CHAN. EXCAV.	C. Y.			
	STRUCT. EXCAV.	C. Y.			
	CONC. CLASS A1 (MOD.)	C. Y.			
	CONC. CLASS B (MOD.)	C. Y.			
	REINF. STEEL	LBS.			
	ASPHALTIC-ASB. COATING	S. Y.			
	TREATED TIMBER PILING	L. F.			
	SPLICES FOR STEEL PILING	EA.			
	STEEL PILING	L. F.			
	UNTREATED TIMBER PILING	L. F.			

Some Changes as BR 207 No Closure
 Well added. Changed Dimension for
 Item 372-A from 18" to 14"
 E.F. 5/12/29

STATE OF VERMONT
 DEPARTMENT OF HIGHWAYS

PROJECT IRASBURG-DERBY
 TOWN OF COVENTRY

ROUTE No. I-91 STA. 2683 ±
 SA3 OVER I-91
 ABUTMENT #3

SCALE 1/4" = 1'-0"
 IN CHARGE EDWARDS & KELCEY
 DRAWN BY SCURRAN CHECKED BY ACENTORE
 PROJECT No. I-91-3(8)
 SHEET 208 OF 605 BR 209