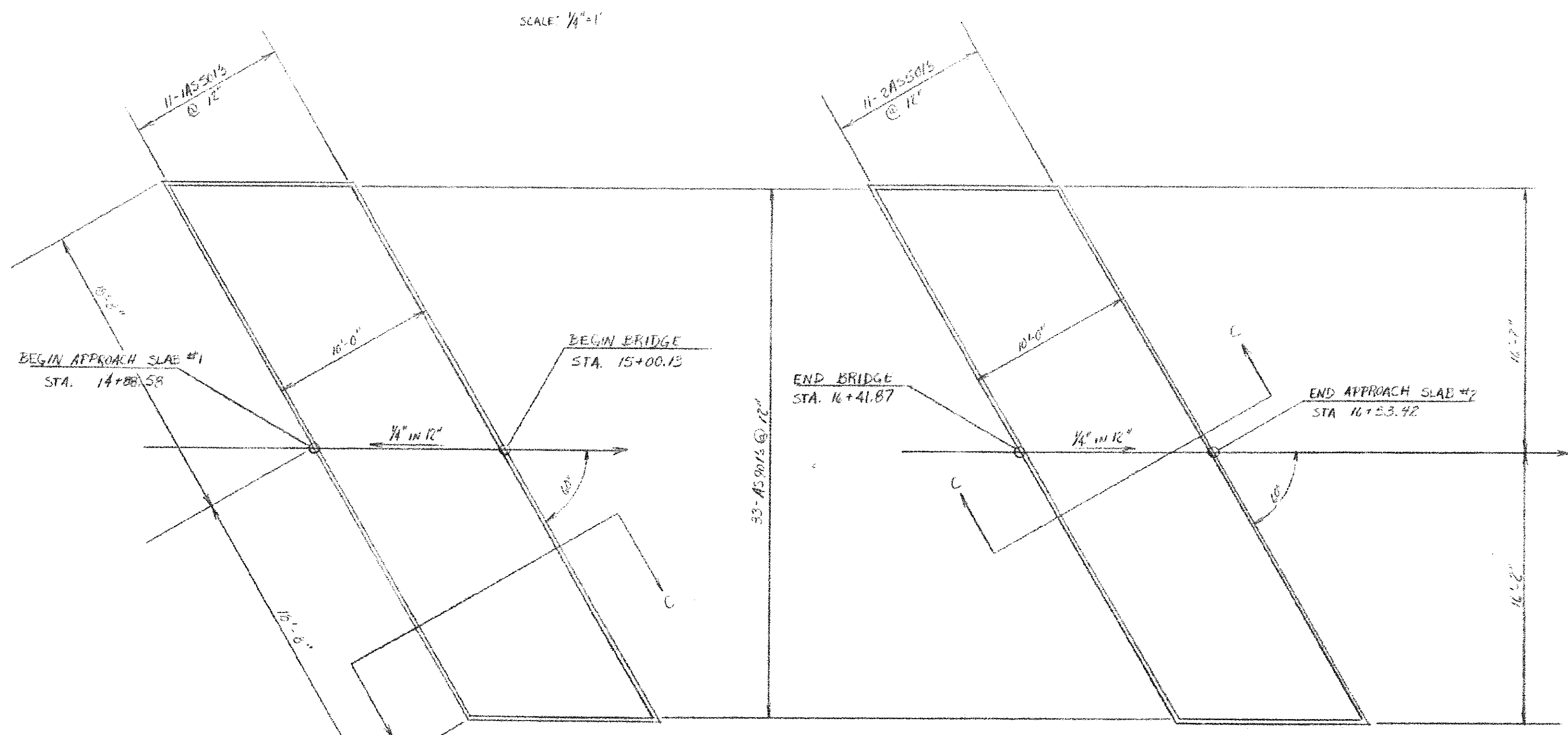
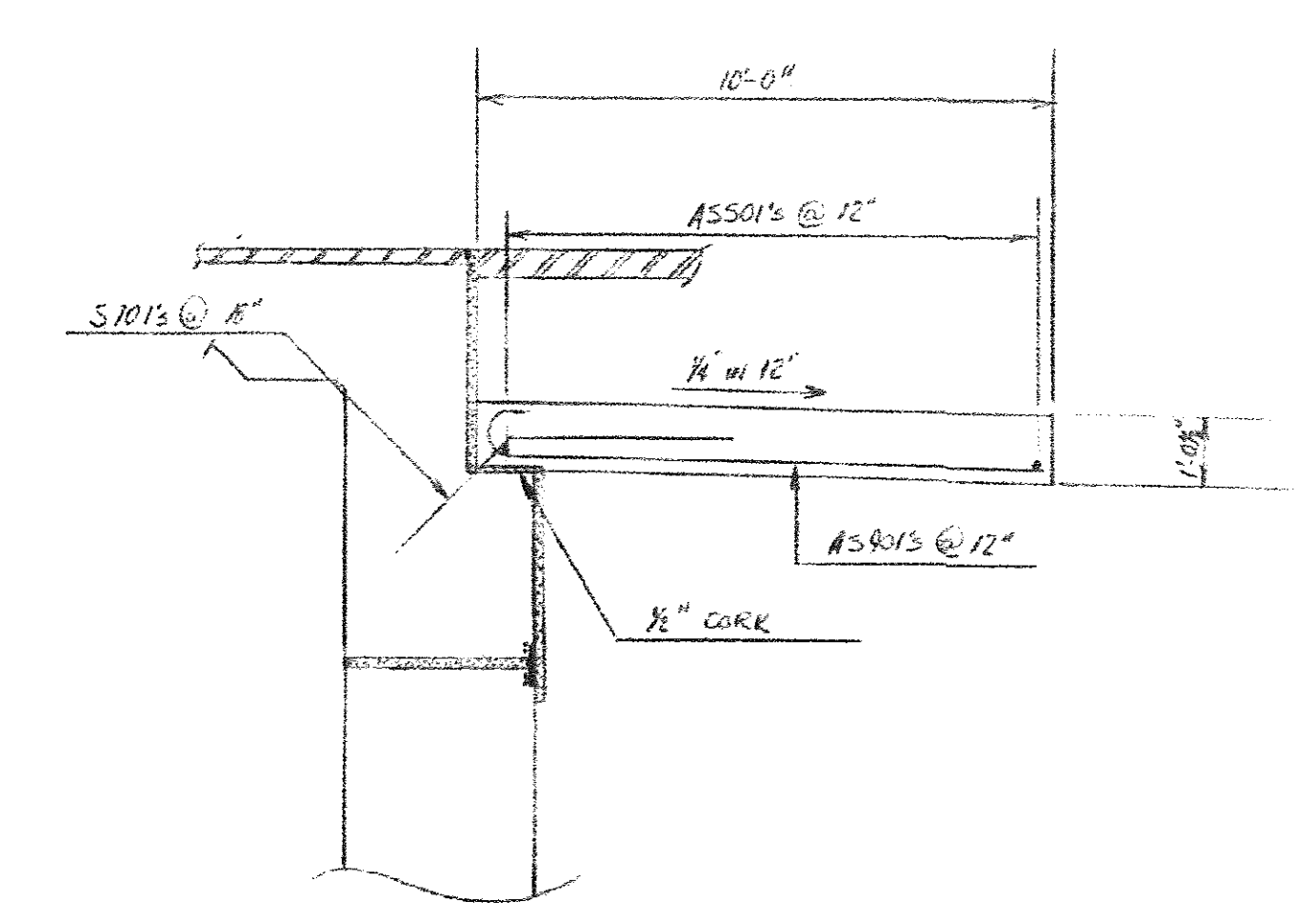


SECTION A-A  
SCALE: 1" = 1'

SECTION B-B  
SCALE: 1" = 1'



APPROACH SLABS  
SCALE: 3/16" = 1'-0"



SECTION C-C  
SCALE: 3/16" = 1'-0"

STATEWIDE - N.E. REGION  
BHF MEMB(19)  
SHEET 45 OF 80  
BRIDGE No. 174  
FOR REFERENCE ONLY

<b>STATE OF VERMONT DEPARTMENT OF HIGHWAYS</b>	
TOWN OF COVENTRY	Bridge No. 174
HIGHWAY NO. US RTE #5	Log Sta.
US. RTE #5 OVER BLACK RIVER	
TIE BEAM & APPROACH SLAB DETAILS	
Designed by A ELWOOD	Drawn by RD GRAY
Checked by AWE. date 2-77	Bridge Design Supervisor RS HAUPT date
PROJECT COVENTRY	PROJECT NO. BRS 0113 (2)
Bridge Sheet No. 110	Sheet 19 of 58