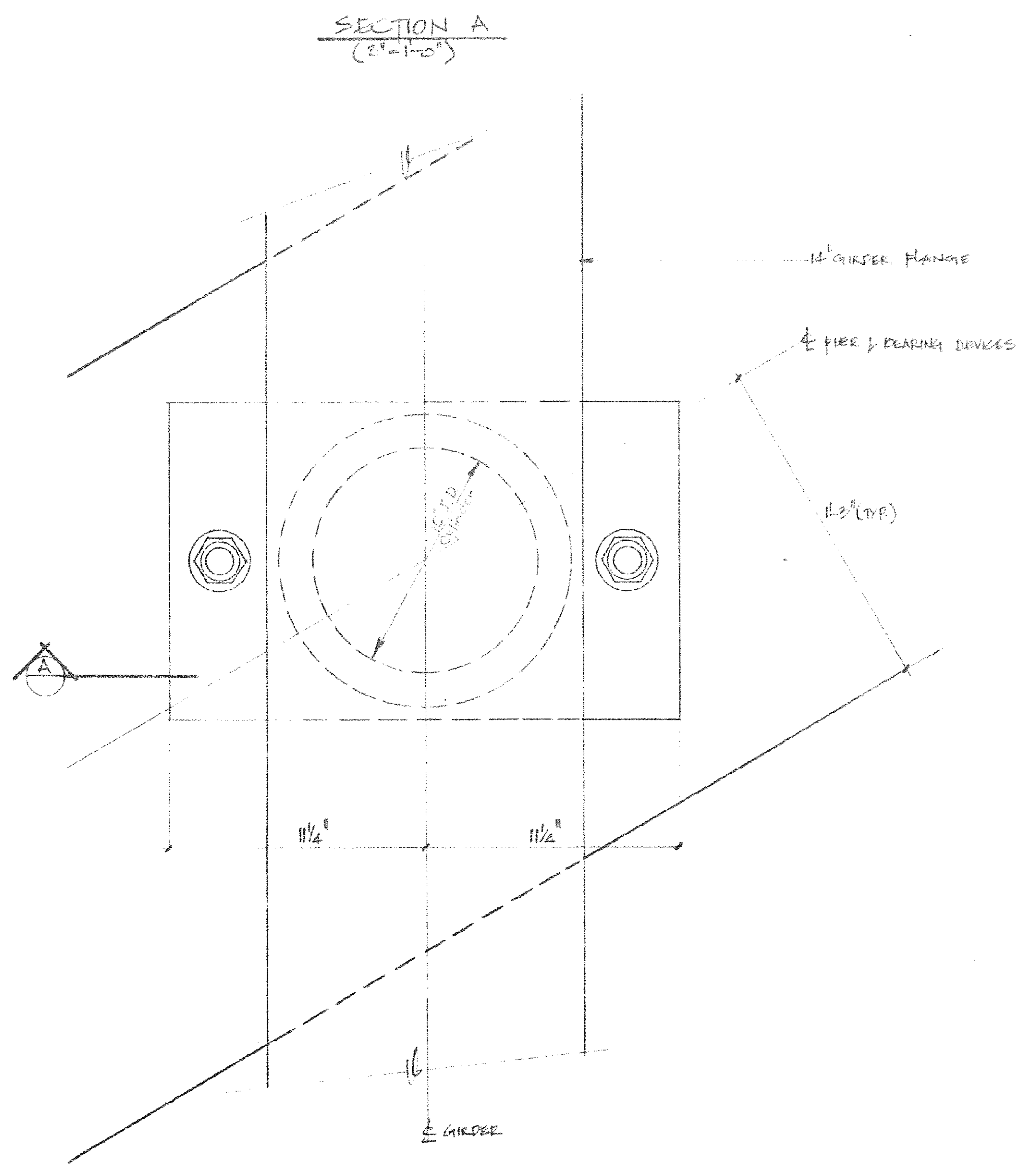
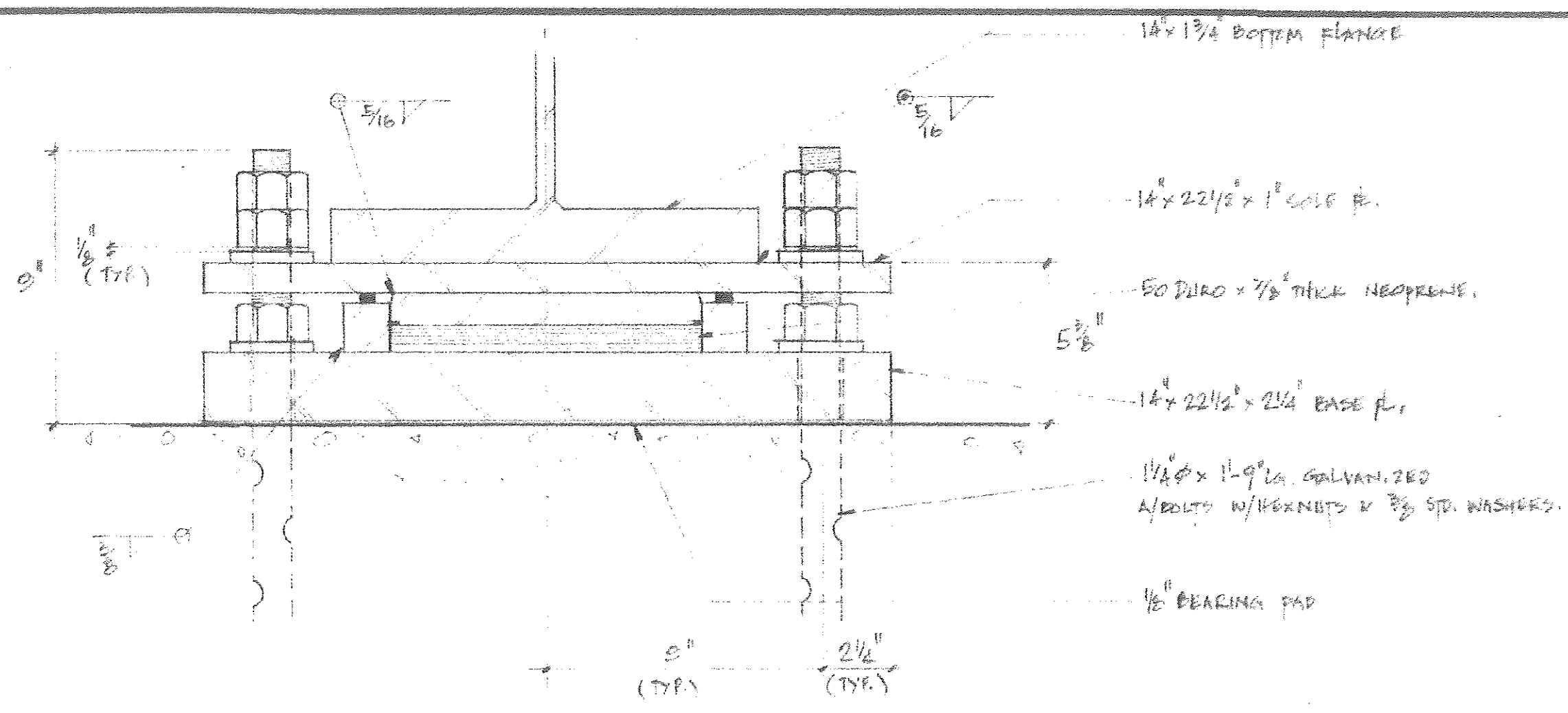


1. See BR 104 for scupper locations.
2. For notes and details not shown see Std. Sh. SCB-26-73 Detail (A)

**SCUPPER DETAILS**



**PLAN (2"=1'-0")**

**FIXED BEARING DEVICE DETAILS**

- NOTES:**
1. ALL STEEL IN THE BEARING DEVICE ASSEMBLIES SHALL BE A-36 GALVANIZED.
  2. BEARING BASE PLATE SHALL BE PLACED ON 1/8" FIBRIC PADS AS SPECIFIED IN SECTION 731.01.
  3. ANCHOR BOLTS, NUTS, & WASHERS SHALL CONFORM WITH THE REQUIREMENTS OF SECTION 714.06. BOLTS SHALL BE 1 1/2" x 1 1/2" 1/2" HEX NUTS & 3/8" WASHERS.
  4. ALTERNATE CONFIGURATIONS MAY BE SUBMITTED FOR APPROVAL PROVIDED TRANSVERSE, LONGITUDINAL AND BEARING LOADS ARE SATISFIED AND THE DETAILED ANCHOR BOLT SYSTEM AND PLACEMENT LOCATION IS MAINTAINED.
  5. BEARING DEVICES SHALL BE PAID FOR AT THE UNIT BID PRICE EACH PER ITEM SEC. 90; BEARING DEVICE ASSEMBLY.

DESIGN LOADS:	LONGITUDINAL	TRANSVERSE	BEARING
FILE #1 (FINE)	4 <sup>k</sup>	9 <sup>k</sup>	250 <sup>k</sup>
FILE #2 (FINE)	4 <sup>k</sup>	9 <sup>k</sup>	250 <sup>k</sup>

STATEWIDE - N.E. REGION  
 BHF MEMB(19)  
 SHEET 42 OF 80  
 BRIDGE No. 174  
 FOR REFERENCE ONLY

**STATE OF VERMONT  
 DEPARTMENT OF HIGHWAYS**

TOWN OF	COVENTRY	Bridge No.	
Highway No.	U.S. Rte. 5	Log Sta.	
		Surr. Sta.	
U.S. 5 OVER THE BLACK RIVER			
BEARING DEVICE & SCUPPER DETAILS			
Designed by	A. E. Wood	Drawn by	P. COVER
Checked by	A. W. E.	Bridge Design Supervisor	R. S. Haupt
	date 2-79		date
PROJECT	COVENTRY	PROJECT NO.	BR 0113 (2)
Bridge Sheet No.	107	Sheet	16 of 58