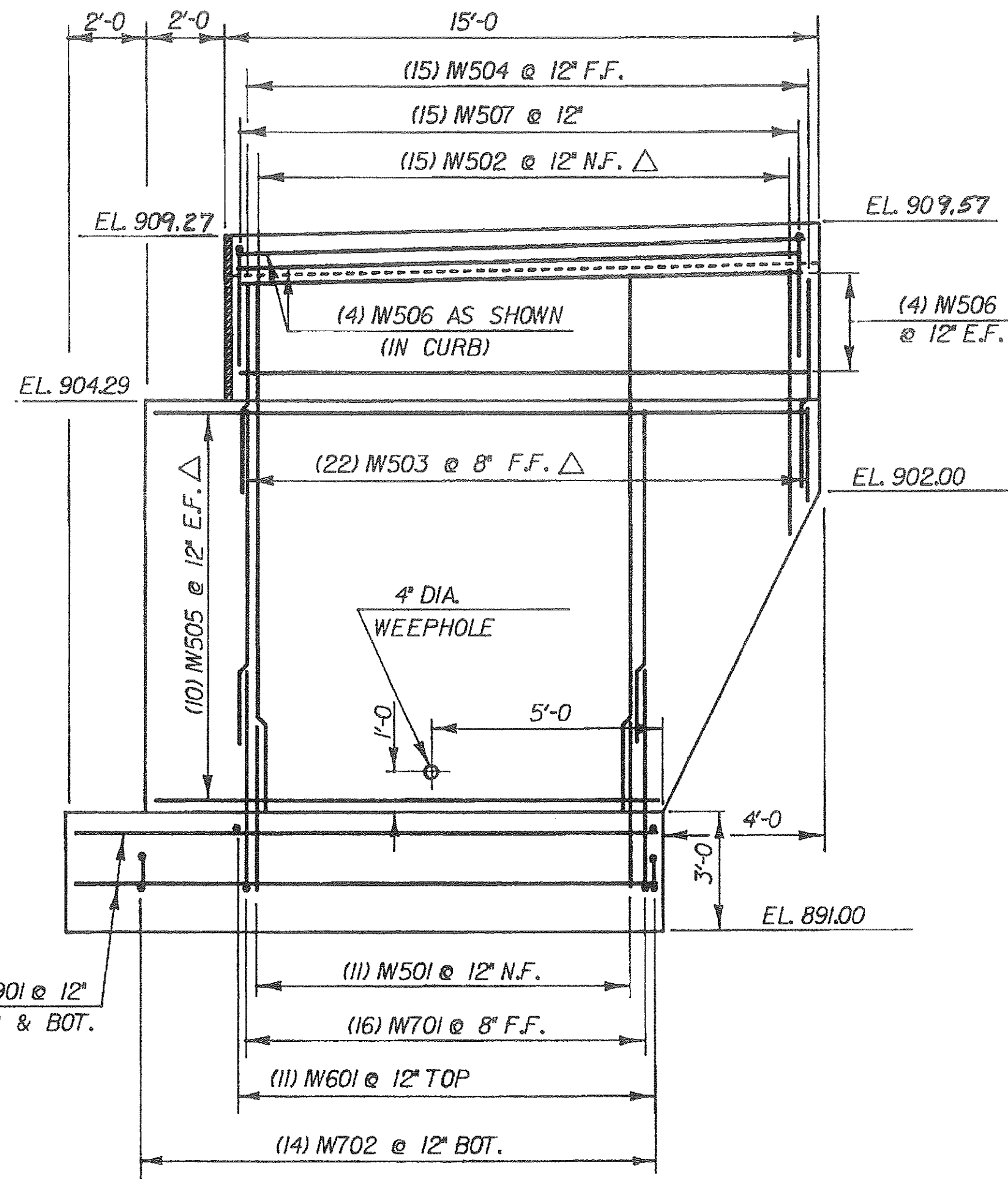
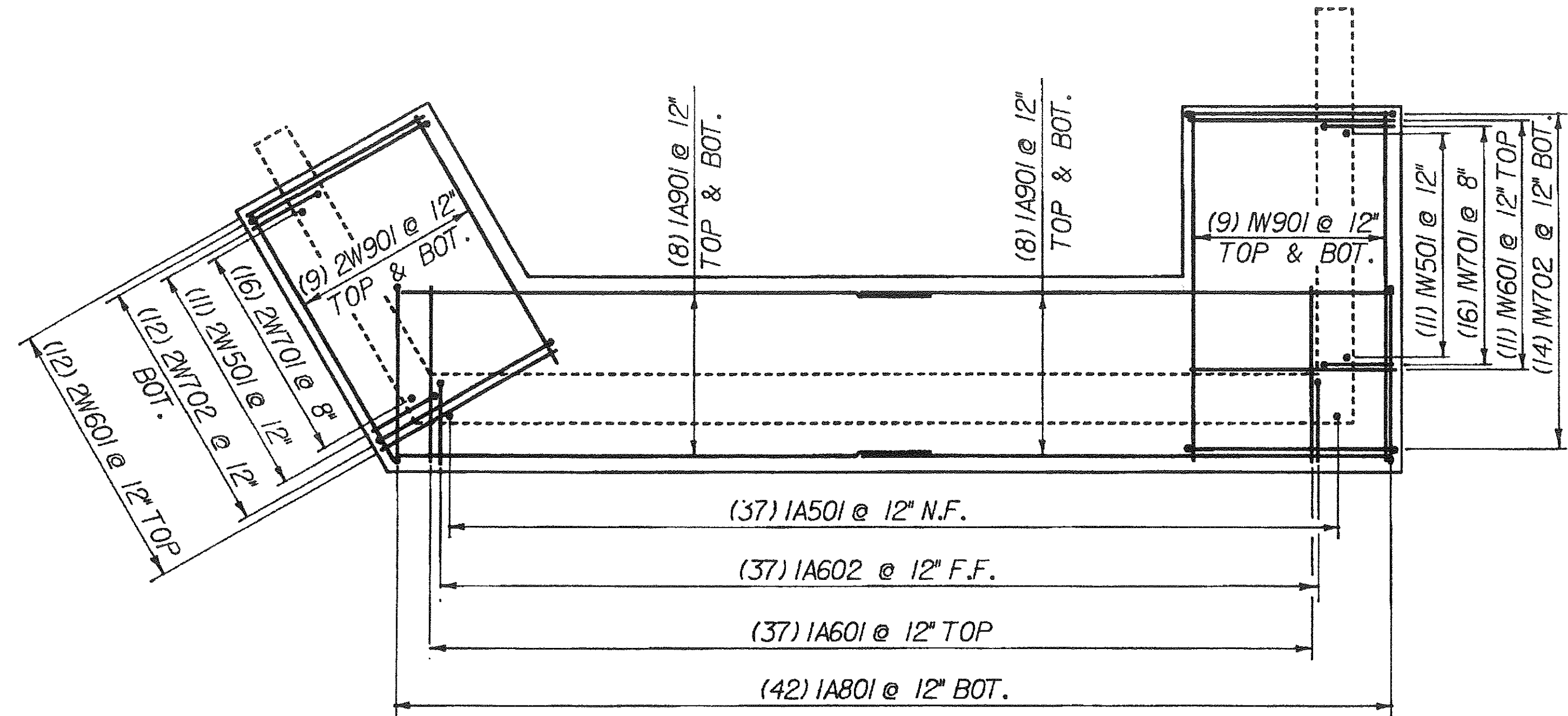


WINGWALL NO. 2
SCALE: 3/8" = 1'-0"

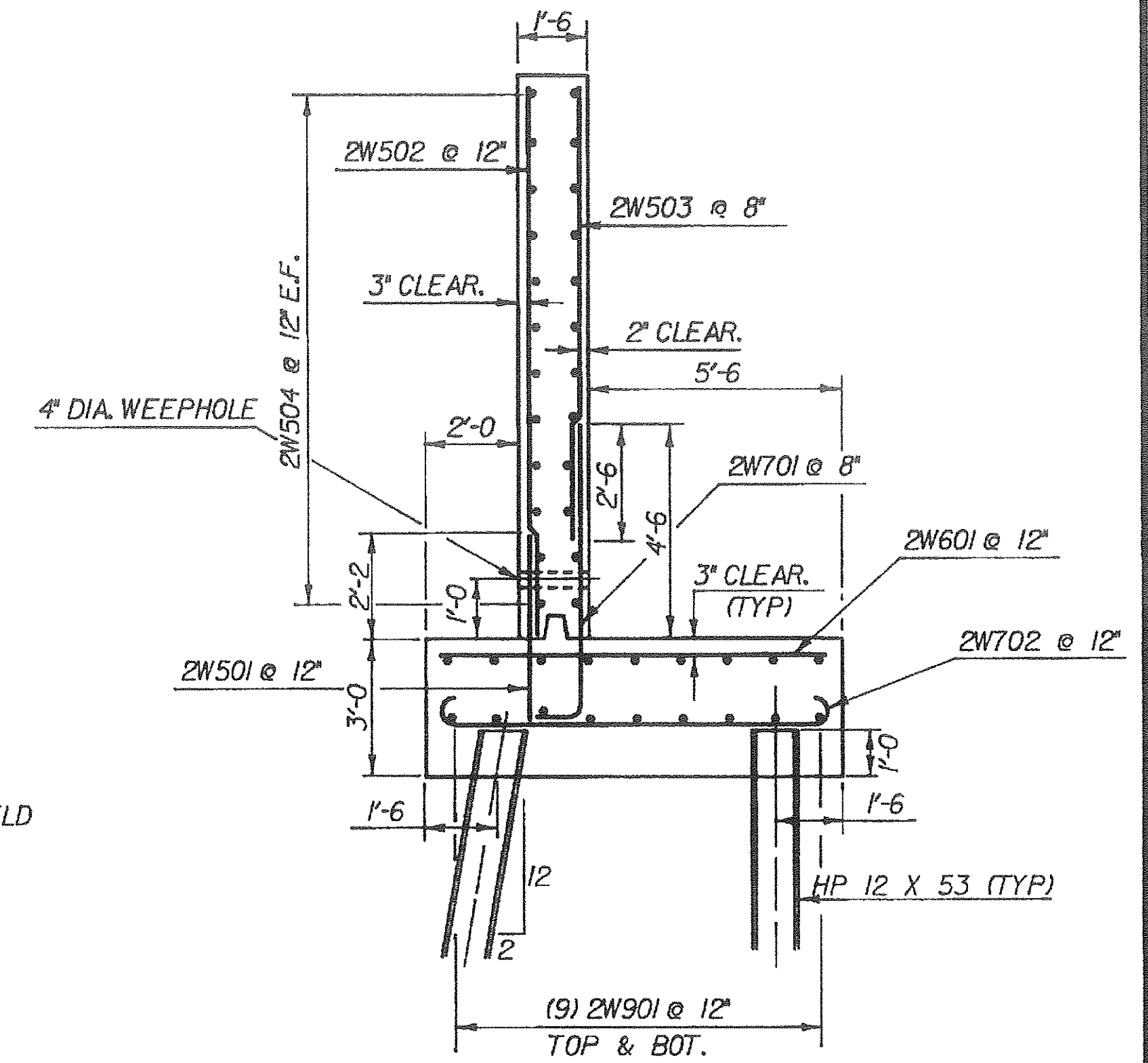


WINGWALL NO. 1
SCALE: 3/8" = 1'-0"



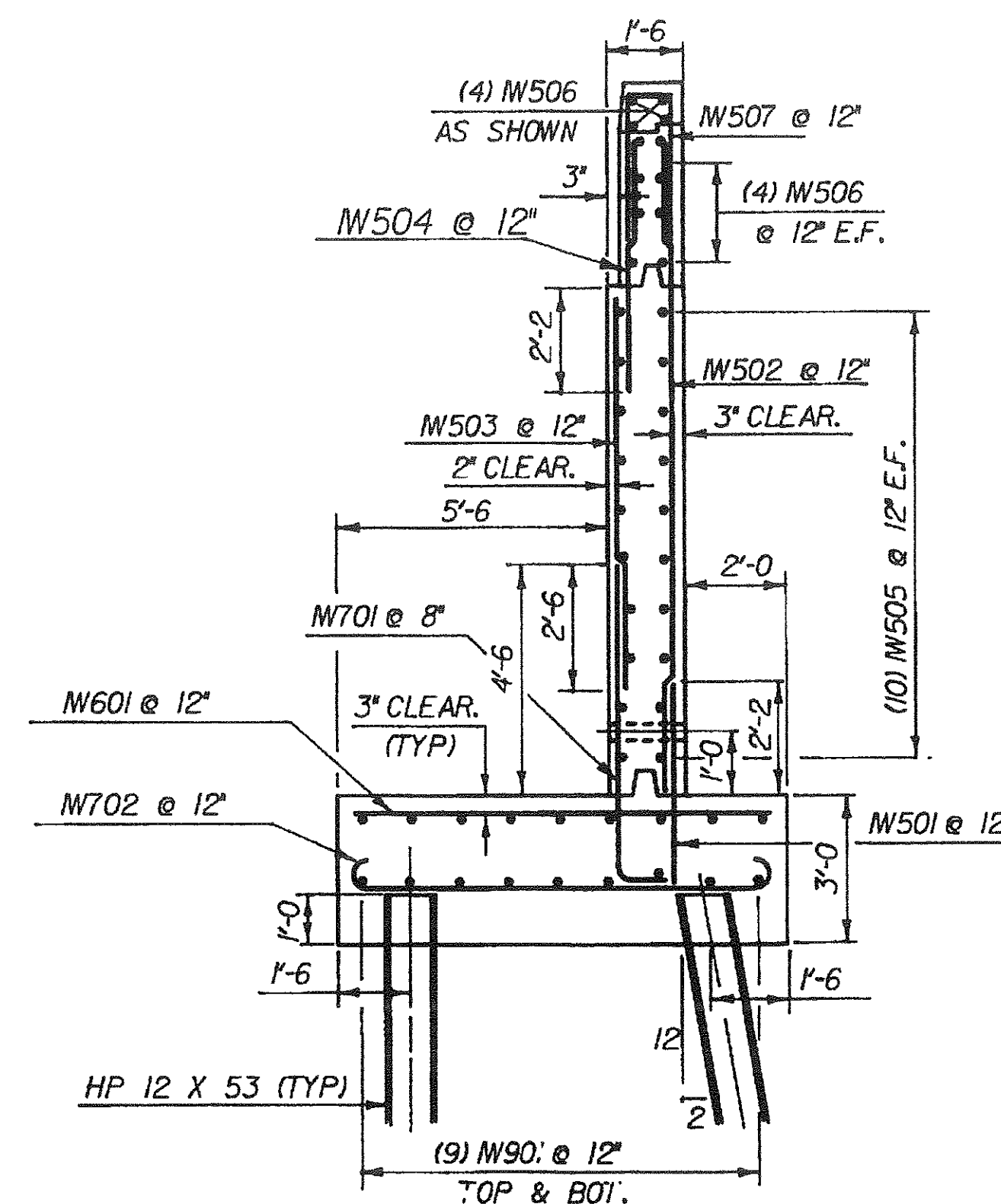
FOOTING REINFORCING PLAN
SCALE: 1/4" = 1'-0"

△ INDICATES CUT TO FIT IN FIELD



WINGWALL NO. 2 TYPICAL SECTION
SCALE: 3/8" = 1'-0"

NOTE: BRIDGE CURB AND CURB ON WINGWALL² SHALL BE ONE CONTINUOUS POUR.



WINGWALL NO. 1 TYPICAL SECTION
SCALE: 3/8" = 1'-0"

STATEWIDE - N.E. REGION
BHF MEMB(19)
SHEET 36 OF 80
BRIDGE No. 1
FOR REFERENCE ONLY

STATE OF VERMONT
AGENCY OF TRANSPORTATION

Town of BURKE	Bridge No. 1
Highway No. VT. RTE. 5A	Log Sta. 11+31.50
VT. RTE. 5A OVER SUTTON RIVER	
WINGWALL DETAILS	
Designed By J.B. MCCARTHY	Drawn By G. SCHELLEY
Checked By J.B. MCCARTHY	Bridge Design Supervisor Z.L. O'Leary
Date 6/85	Date 6-85
PROJECT BURKE	PROJECT NO. BRS 0287 (315)
L.C. Info. 05A130.33370F191A81	
Bridge Sheet No. BR109	Sheet 25 of 81