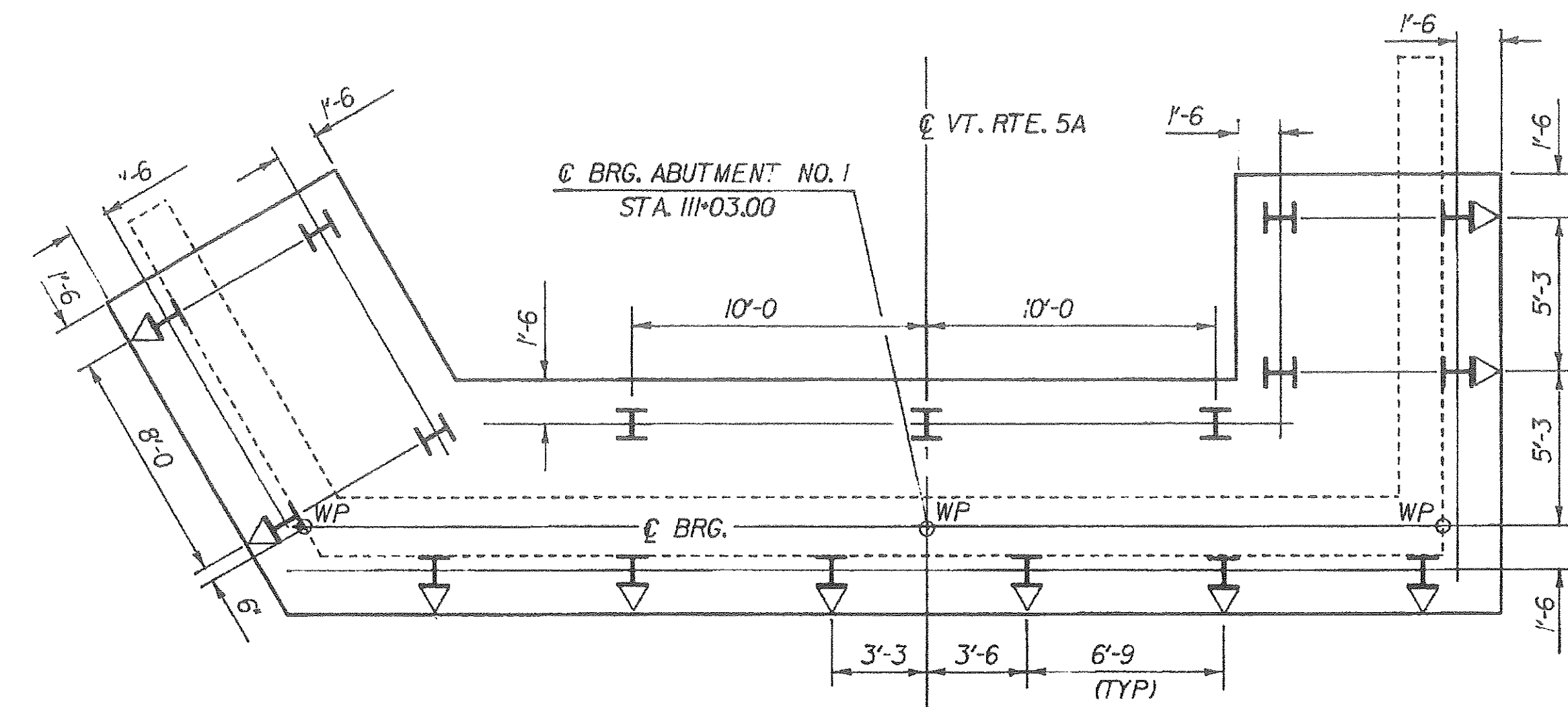


ABUTMENT NO. 1 LAYOUT
SCALE: 1/4" = 1'-0"

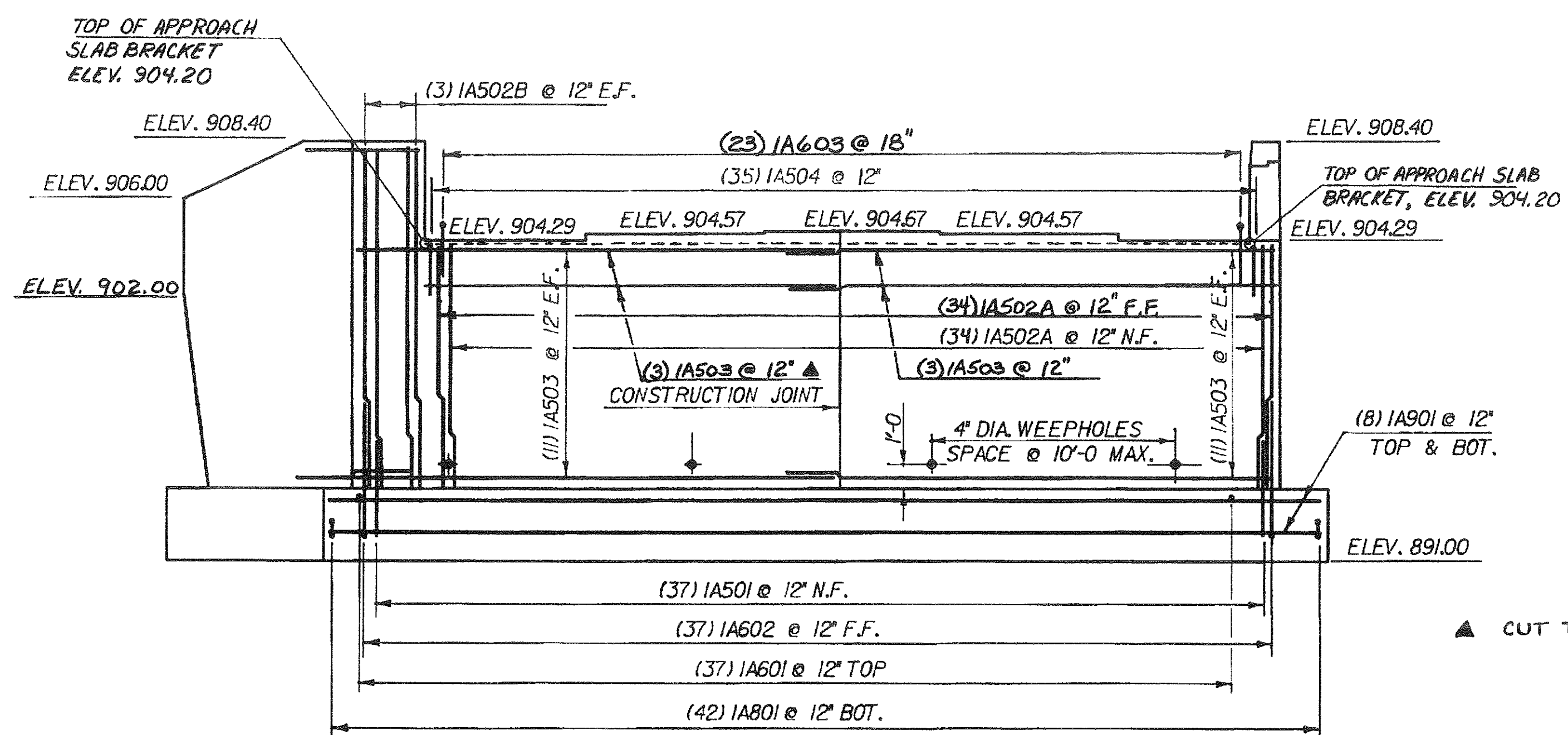


PILE LAYOUT
SCALE: 1/4" = 1'-0"

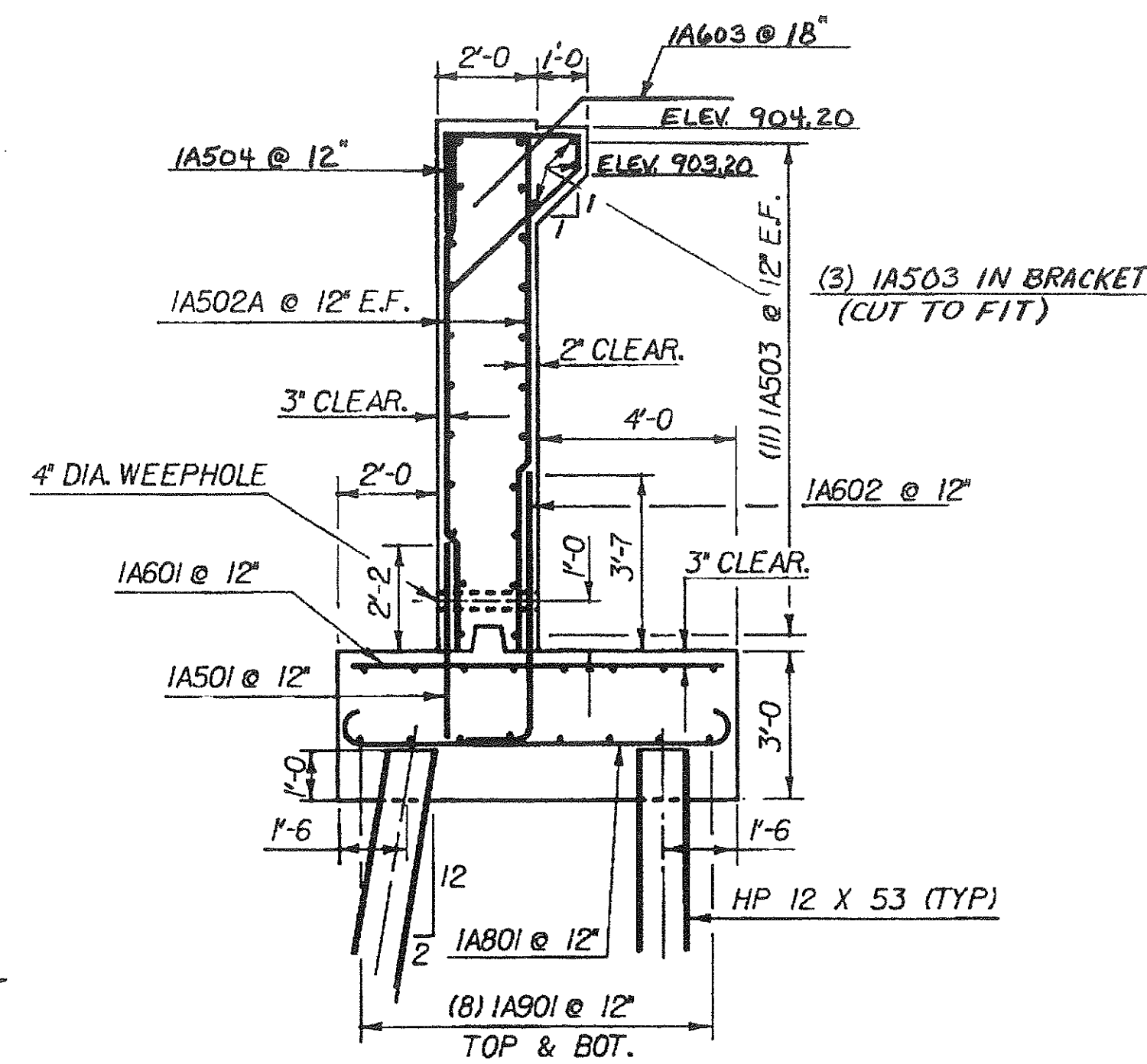
* SEE GENERAL NOTE NO. 32.

NOTES

1. PILES ARE HP 12 X 53
2. I - INDICATES LOCATION OF A VERTICAL PILE
3. T - INDICATES LOCATION AND DIRECTION OF A 2 ON 12 BATTERED PILE
4. THE AVERAGE PILE LENGTH IS APPROXIMATELY 25 FEET.
5. PILES SHALL BE DRIVEN TO LEDGE.



ABUTMENT NO. 1 ELEVATION
SCALE: 1/4" = 1'-0"



ABUTMENT NO. 1 TYPICAL SECTION
SCALE: 3/8" = 1'-0"

STATEWIDE - N.E. REGION
BHF MEMB(19)
SHEET 35 OF 80
BRIDGE No. 1
FOR REFERENCE ONLY

| | | | |
|--|-----------------------------------|---------------------------------|--------------------|
| STATE OF VERMONT | | AGENCY OF TRANSPORTATION | |
| Town of BURKE | Bridge No. 1 | Leg Sta. | |
| Highway No. VT. RTE. 5A | Surv. Sta. 111+31.50 | | |
| VT. RTE. 5A OVER SUTTON RIVER | | | |
| ABUTMENT NO. 1 DETAILS | | | |
| Designed By J.B. MCCARTHY | Drawn By G. SCHELLEY | | |
| Checked By J.B. MCCARTHY | Date 6/85 | Bridge Design Supervisor | R.L. O'NEIL |
| PROJECT BURKE | PROJECT NO. BRS 0287 (315) | | |
| L.C. Info. OS/230.337/8/191/AB1 | | | |
| Bridge Sheet No. BR108 | Sheet 24 of 81 | | |