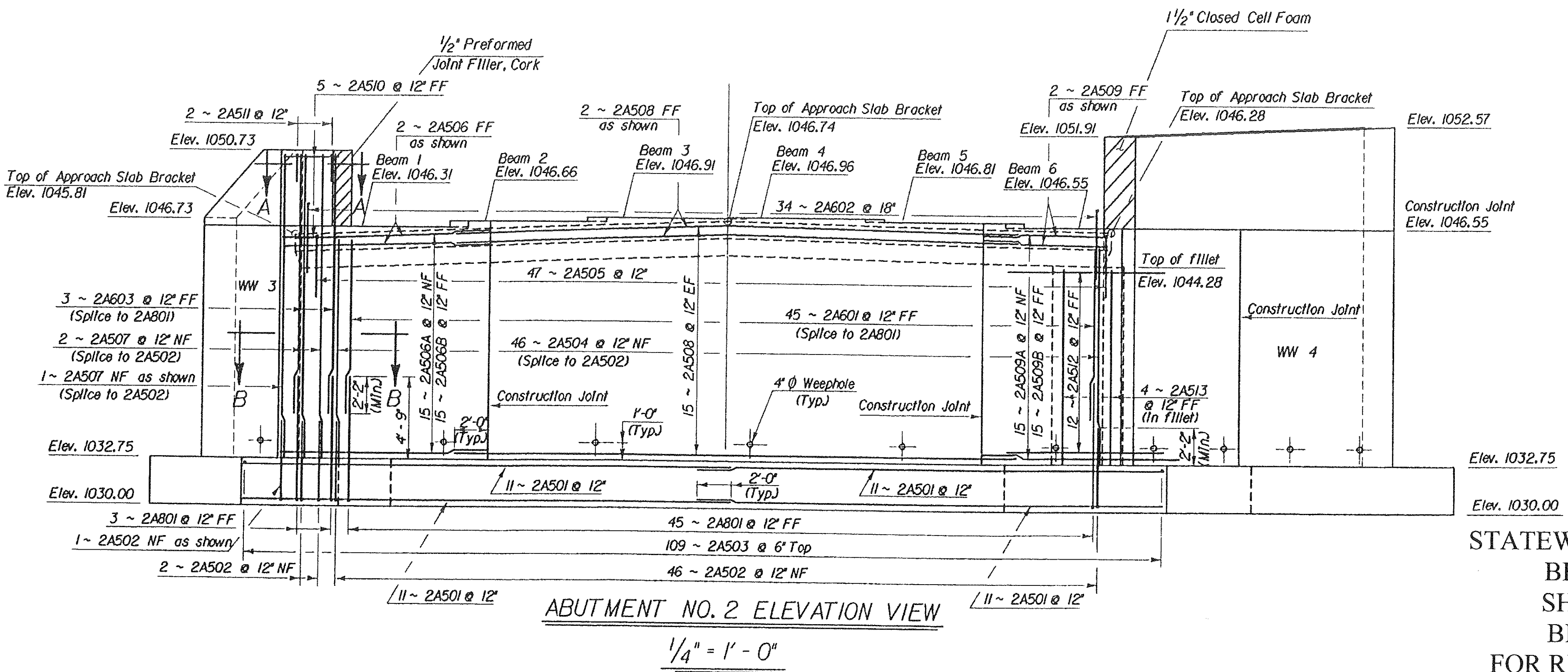
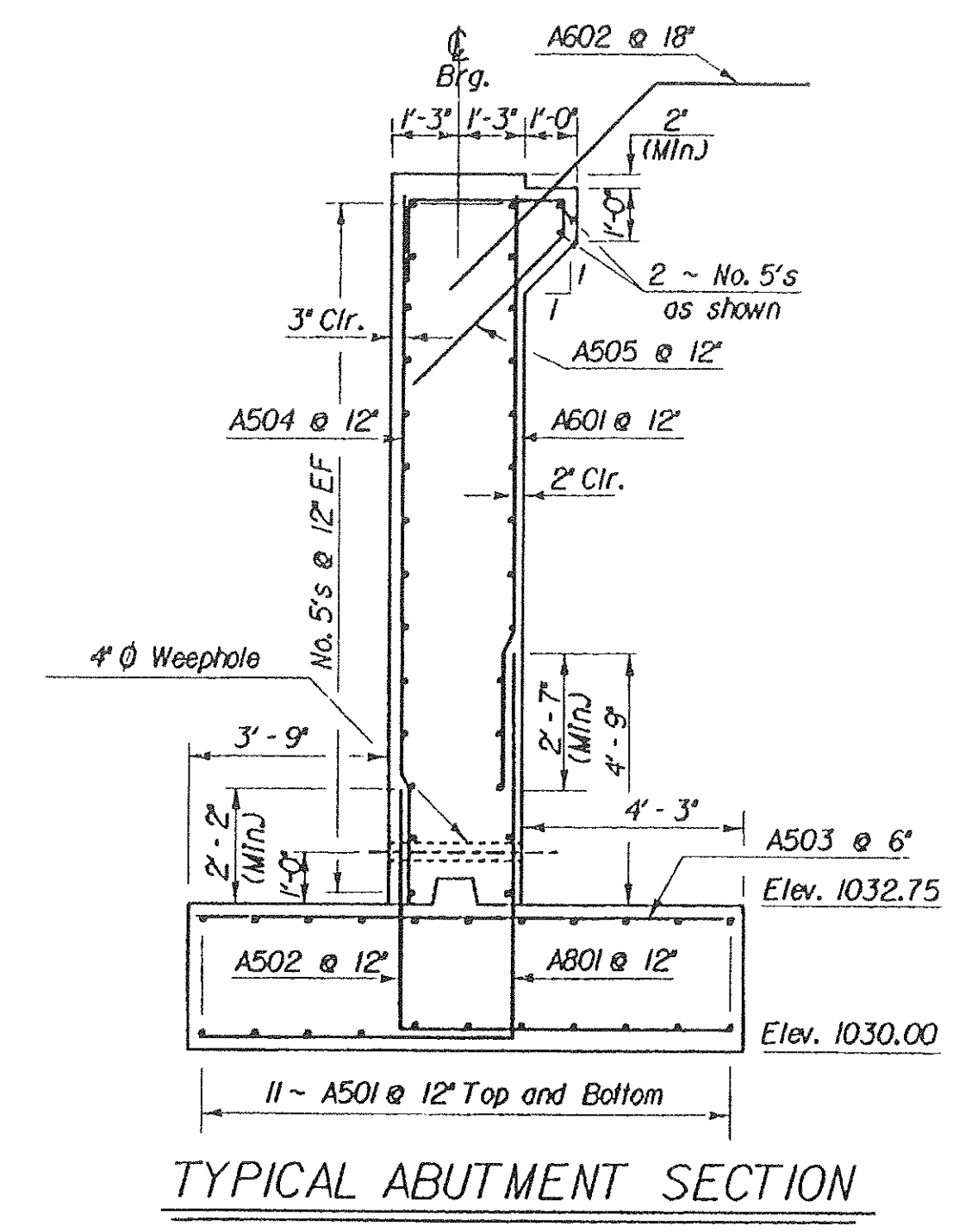


N. F. = NEAR FACE
 F. F. = FAR FACE
 E. F. = EACH FACE
 ▲ = CUT TO FIT IN FIELD
 10' - 0" MAXIMUM SPACING ON WEEP HOLES



STATEWIDE - N.E. REGION
 BHF MEMB(19)
 SHEET 24 OF 80
 BRIDGE No. 96
 FOR REFERENCE ONLY

STATE OF VERMONT AGENCY OF TRANSPORTATION	
Town Of BLOOMFIELD	Bridge No. 96
Highway No. VT. 105	Log Sta. 39 + 61
VT. 105 OVER THE NULHEGAN RIVER ABUTMENT NO. 2 PLAN & ELEVATION	
Designed By C. W. Meunier	Drawn By D. W. Newton
Checked By P. A. Maza	Bridge Design Supervisor D. E. Lathrop
Date Nov. '89	Date 7/90
PROJECT BLOOMFIELD	PROJECT NO. BRF034-3(13)S
I.G.C. Info. ZHIL30,32J78F185ABT.DGN	PRF:78F185AB2
Bridge Sheet No. BR 109	Sheet 25 of 65