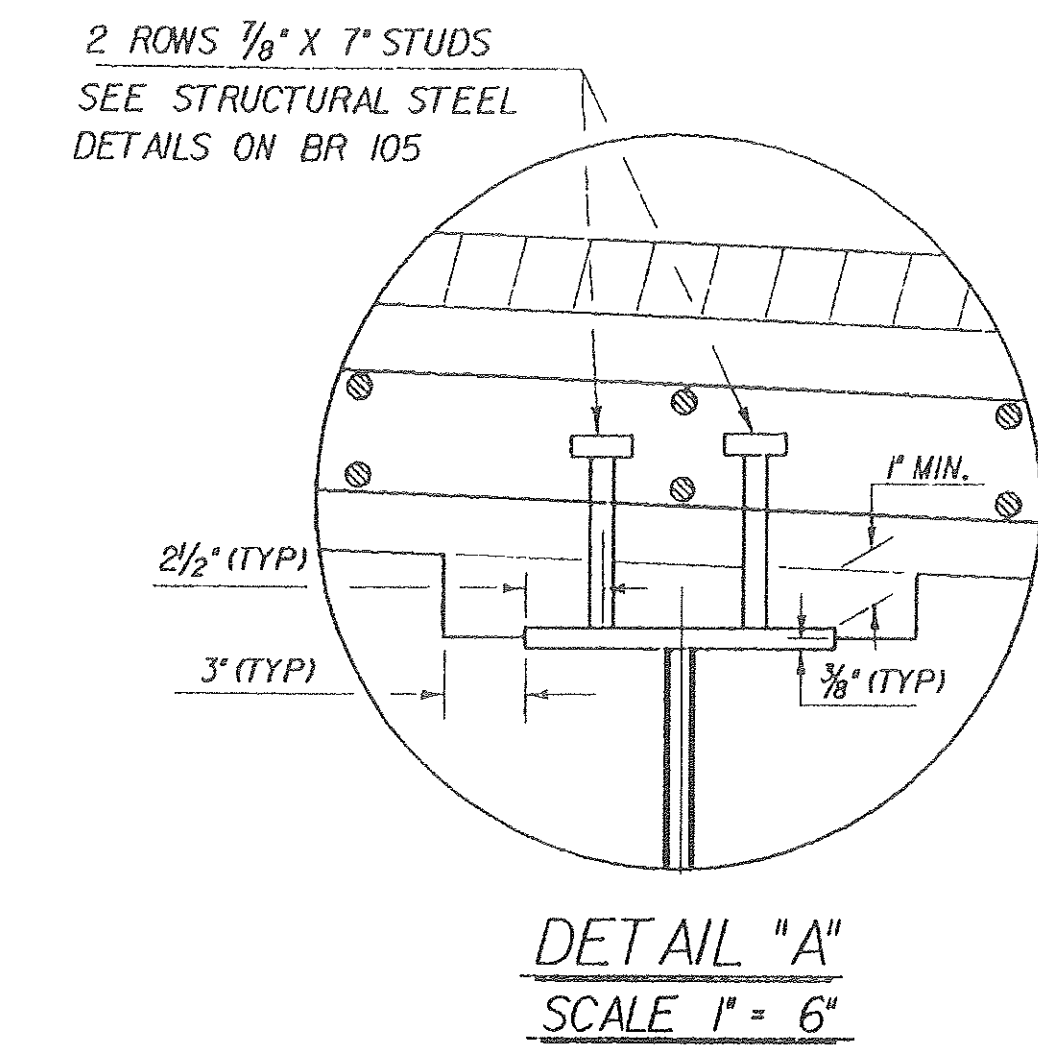
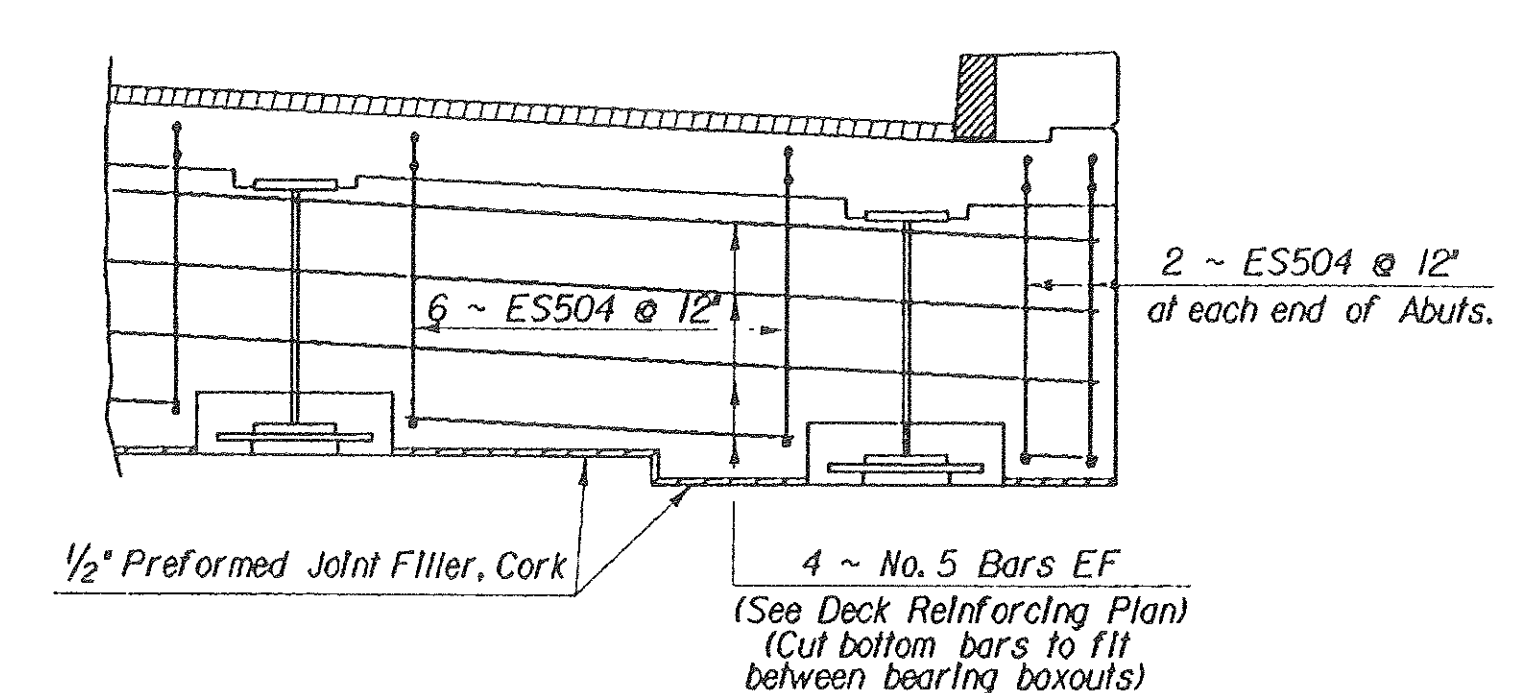


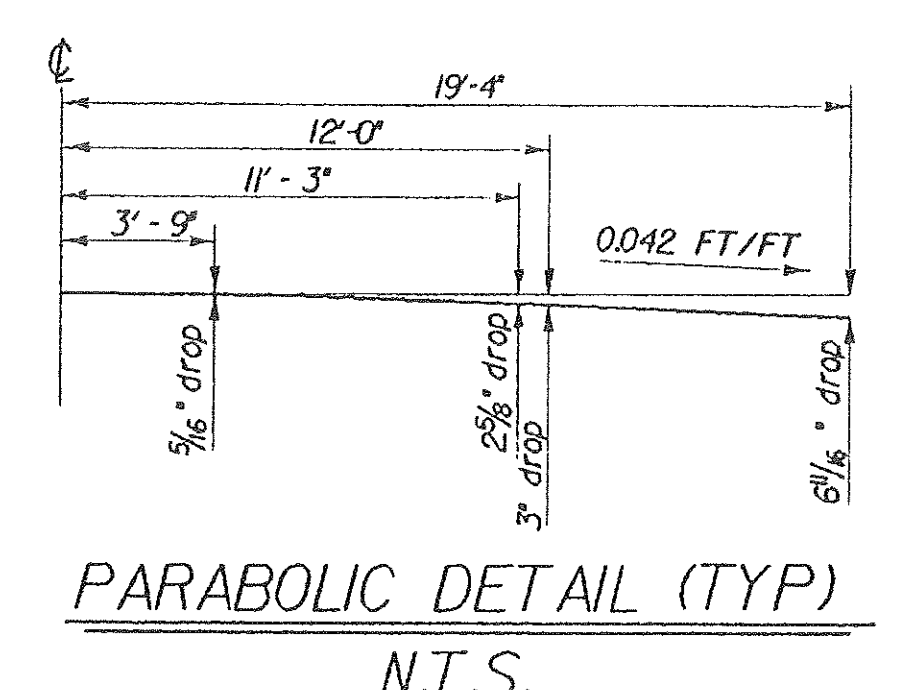
TYPICAL BRIDGE SECTION
 SCALE 1/2" = 1'-0"



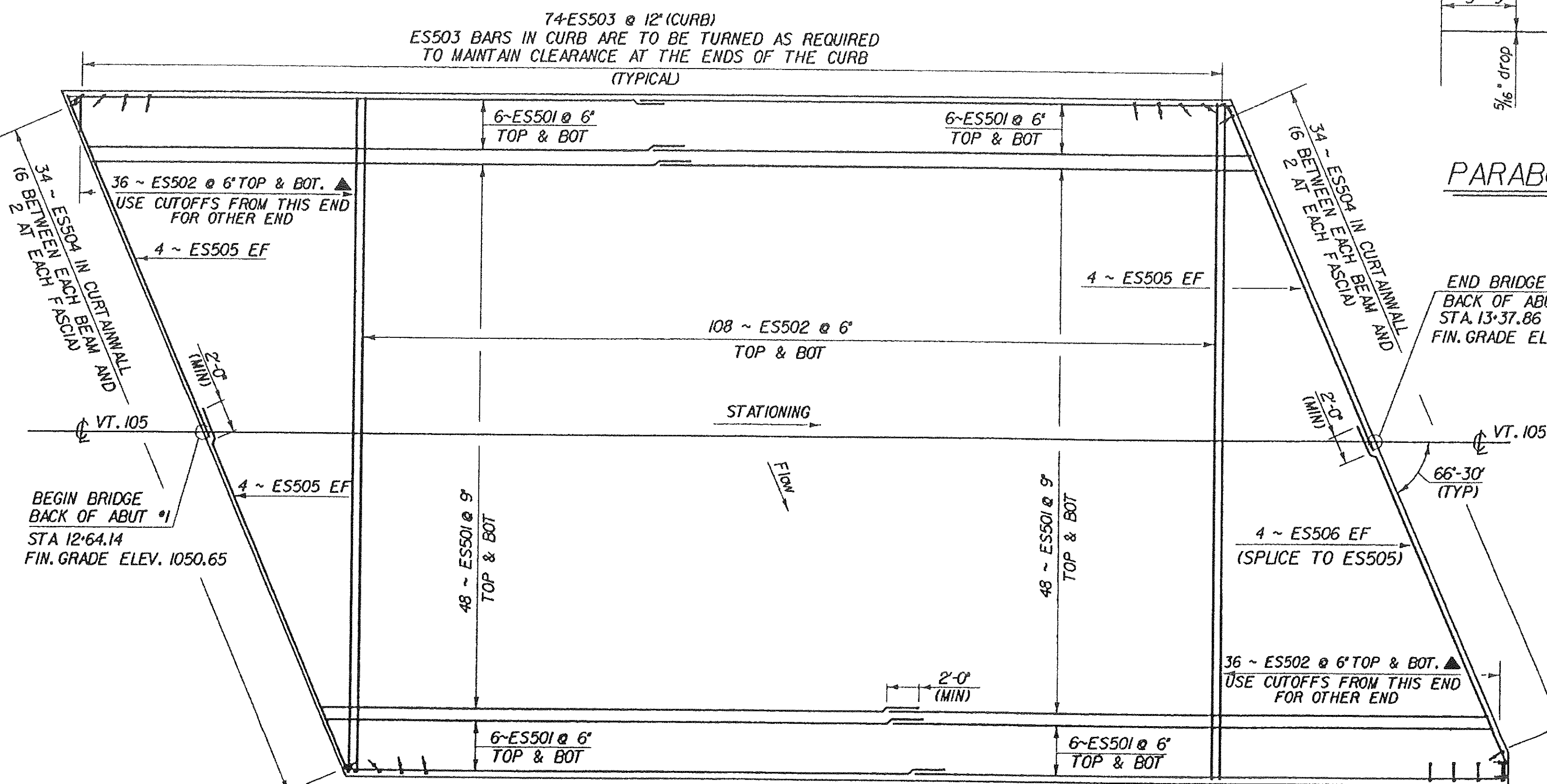
DETAIL "A"
 SCALE 1" = 6"



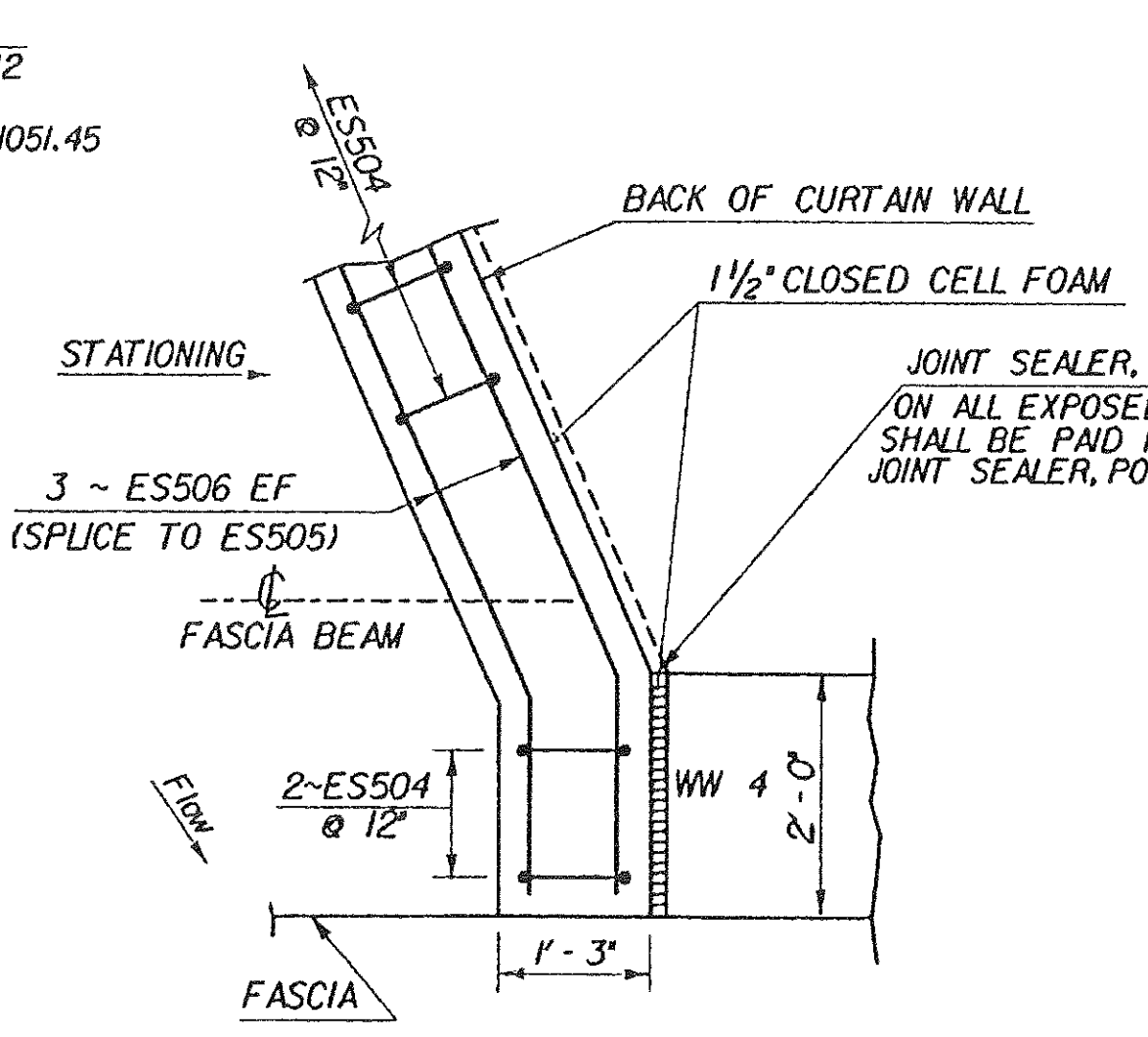
CURTAIN WALL ELEVATION
 1/2" = 1'-0"



PARABOLIC DETAIL (TYP)
 N.T.S.



DECK REINFORCING PLAN
 SCALE 1" = 5'-0"



CURTAIN WALL DETAILS AT WINGWALL NO. 4
 3/4" = 1'-0"

- NOTES
1. ALL REINFORCING STEEL IN DECK, CURBS AND CURTAIN WALLS SHALL BE EPOXY COATED.
 2. ALL EPOXY COATED STEEL TO BE CUT IN FIELD IS TO BE SAW CUT AND EXPOSED END IS TO BE TREATED AS PER SECTION 507.04.
- ▲ - DENOTES BARS TO BE CUT TO FIT IN THE FIELD.

STATE OF VERMONT AGENCY OF TRANSPORTATION	
Town Of BLOOMFIELD	Bridge No. 96
Highway No. VT. 105	Log Sta. 39 + 61 Surv. Sta. 13 + 00.5
VT. 105 OVER THE NULHEGAN RIVER DECK DETAILS & BRIDGE TYPICAL	
Designed By C.W. MEUNIER	Drawn By D.W. NEWTON
Checked By C.W. MEUNIER	Date SEPT. '89
Bridge Design Supervisor D.E. LATHROP Date 7/90	
PROJECT BLOOMFIELD	PROJECT NO. BRF 034-3(13)S
I.C. Info. ZHL30,32178F185SUP.DGN PRF:BLOMSUPI	
Bridge Sheet No. BR 103	Sheet 19 of 65