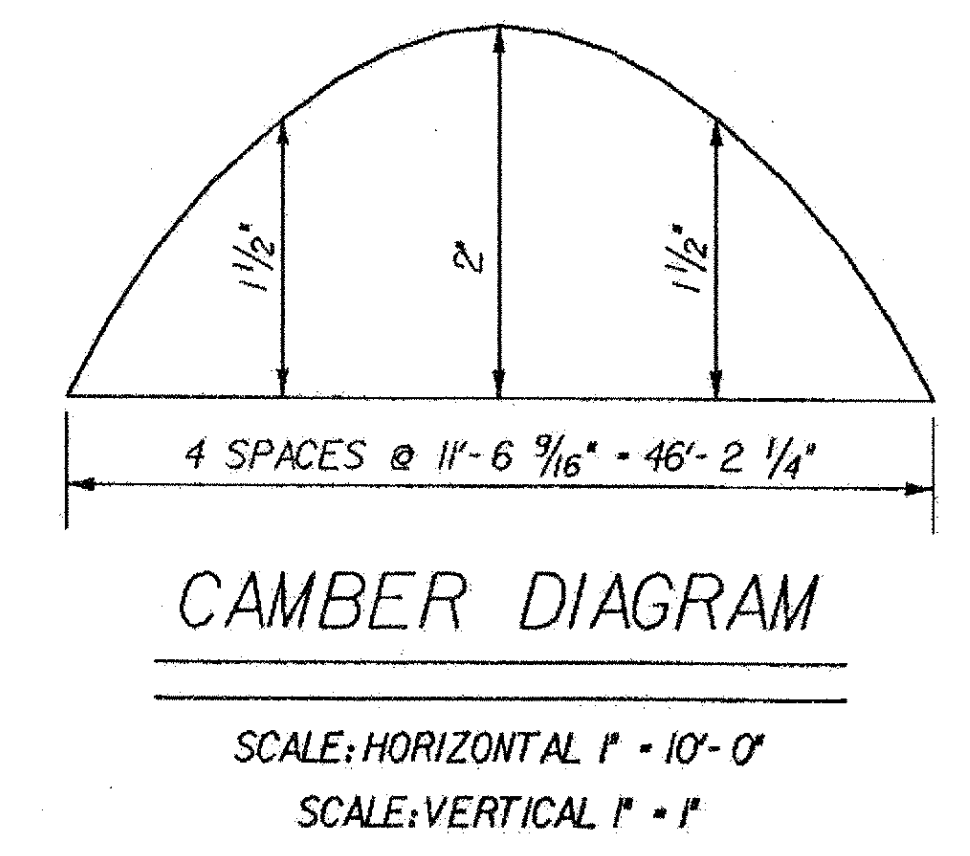
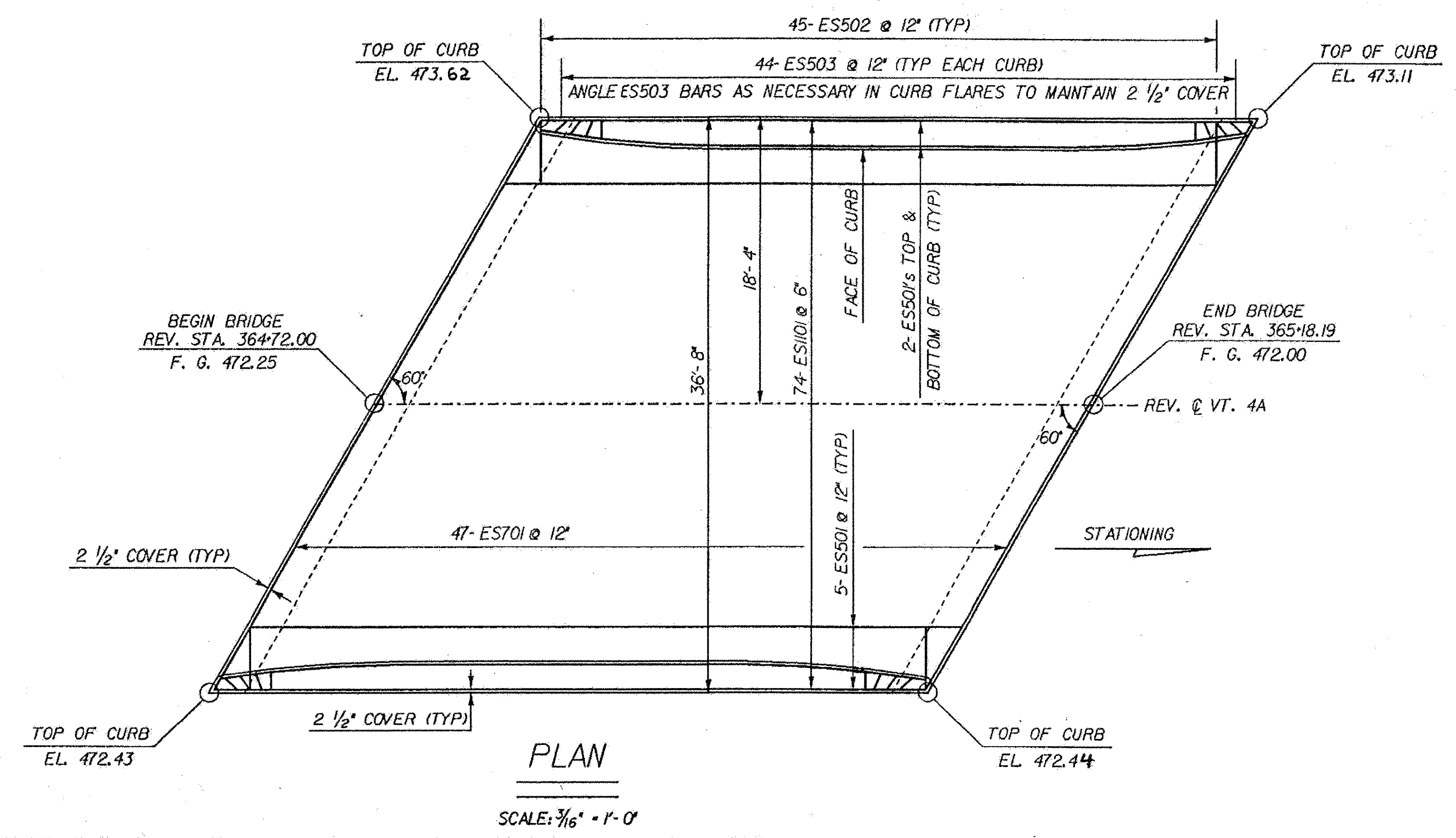
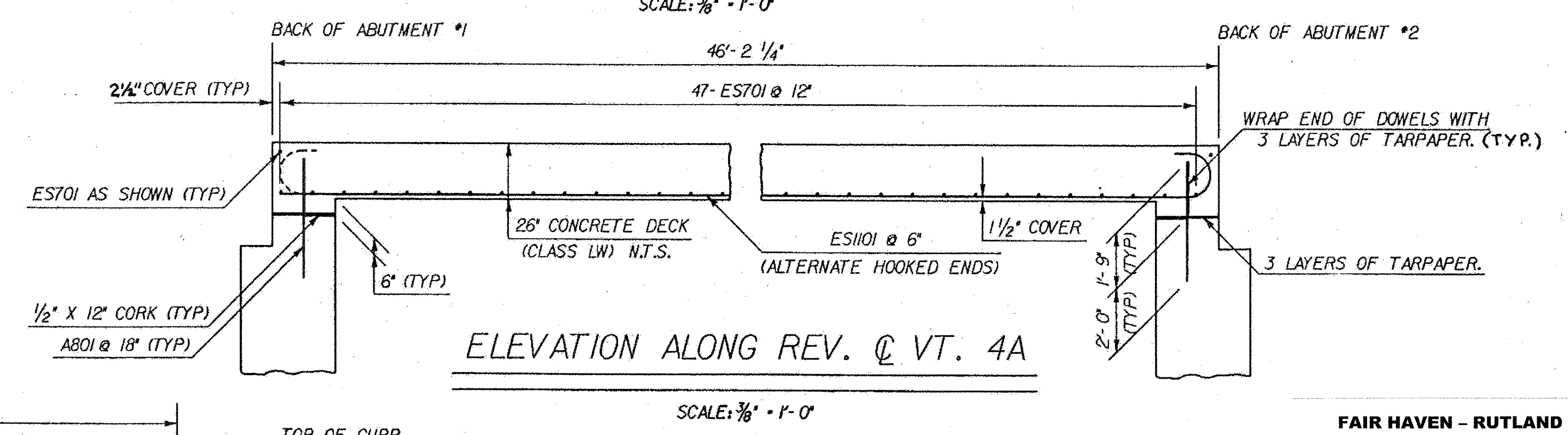


* NOTE: THE 2 1/2" BIT. CONC. SHALL BE:
BOTTOM LIFT = 1" OF TYPE II
TOP LIFT = 1 1/2" OF TYPE III



FAIR HAVEN - RUTLAND
BHF MEMB(2)
SHEET 11 OF 45
BRIDGE 12
FOR REFERENCE ONLY

NOTES

1. PAYMENT FOR ALL CORK AND TARPAPER SHALL BE SUBSIDIARY TO THE ITEM, CONCRETE, CLASS B.
2. FOR CURB DETAILS SEE SHEET BR103 AND BR104.
3. A FINISHING MACHINE SHALL BE USED TO PREPARE THE SLAB SURFACE IN ACCORDANCE WITH SUBSECTION 501.16 (b).

STATE OF VERMONT AGENCY OF TRANSPORTATION	
Town Of CASTLETON	Bridge No. 12
Highway No. VT. 4A	Log Sta. 369-70
SLAB DETAILS	
VT. 4A OVER THE CASTLETON RIVER	
Designed By G.V. SPILAK	Drawn By K. S. CLAIRMONT
Checked By R. J. RANALDO	Bridge Design Supervisor F. W. Bolcum
Date 8/87	Date 10/97
PROJECT CASTLETON-IRA	PROJECT NO. RS 0142(12)
I.G.C. Info. ZFA: [30,47] 78F195SL DGN:1	
Bridge Sheet No. BR 105	Sheet 38 of 95