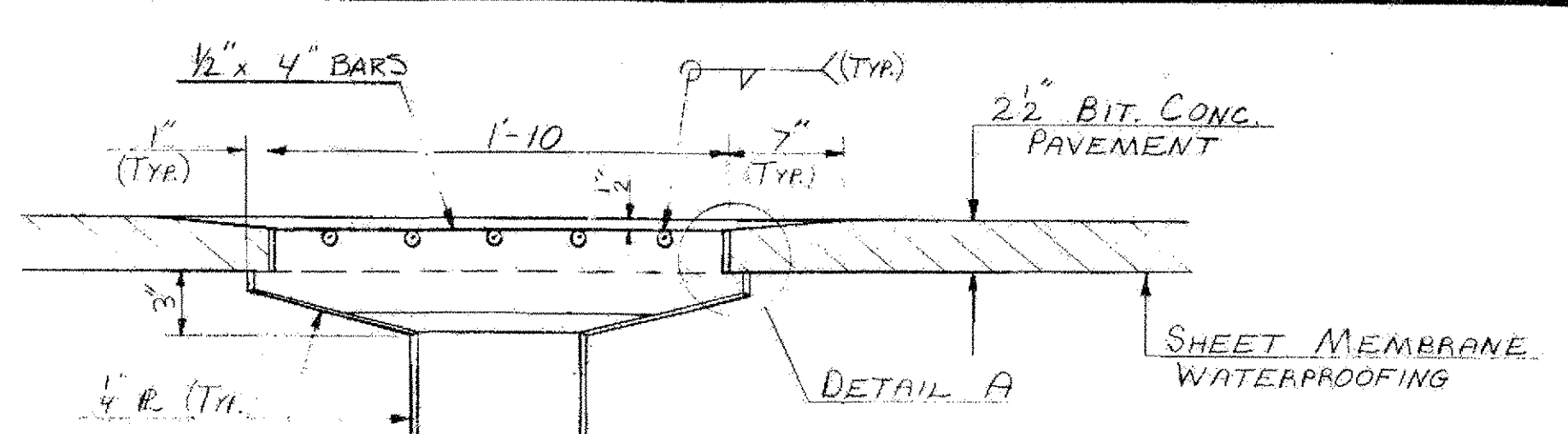
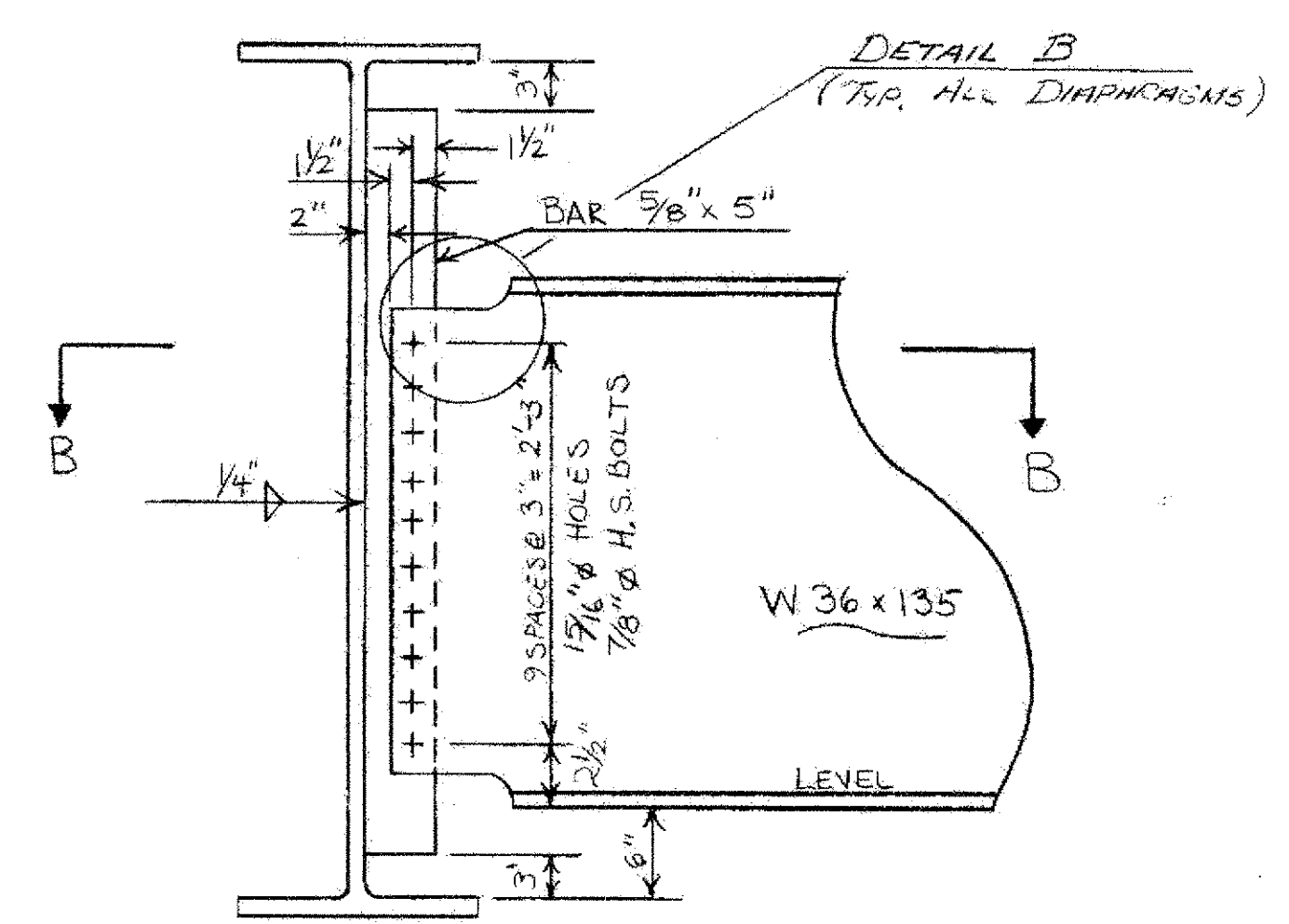


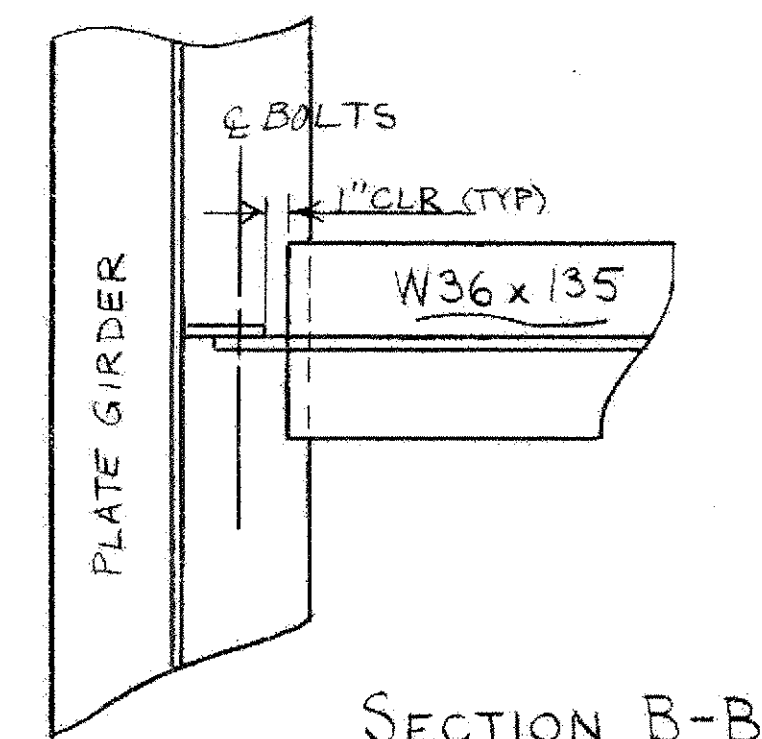
SCUPPER PLAN
SCALE 1/2" = 1'-0"



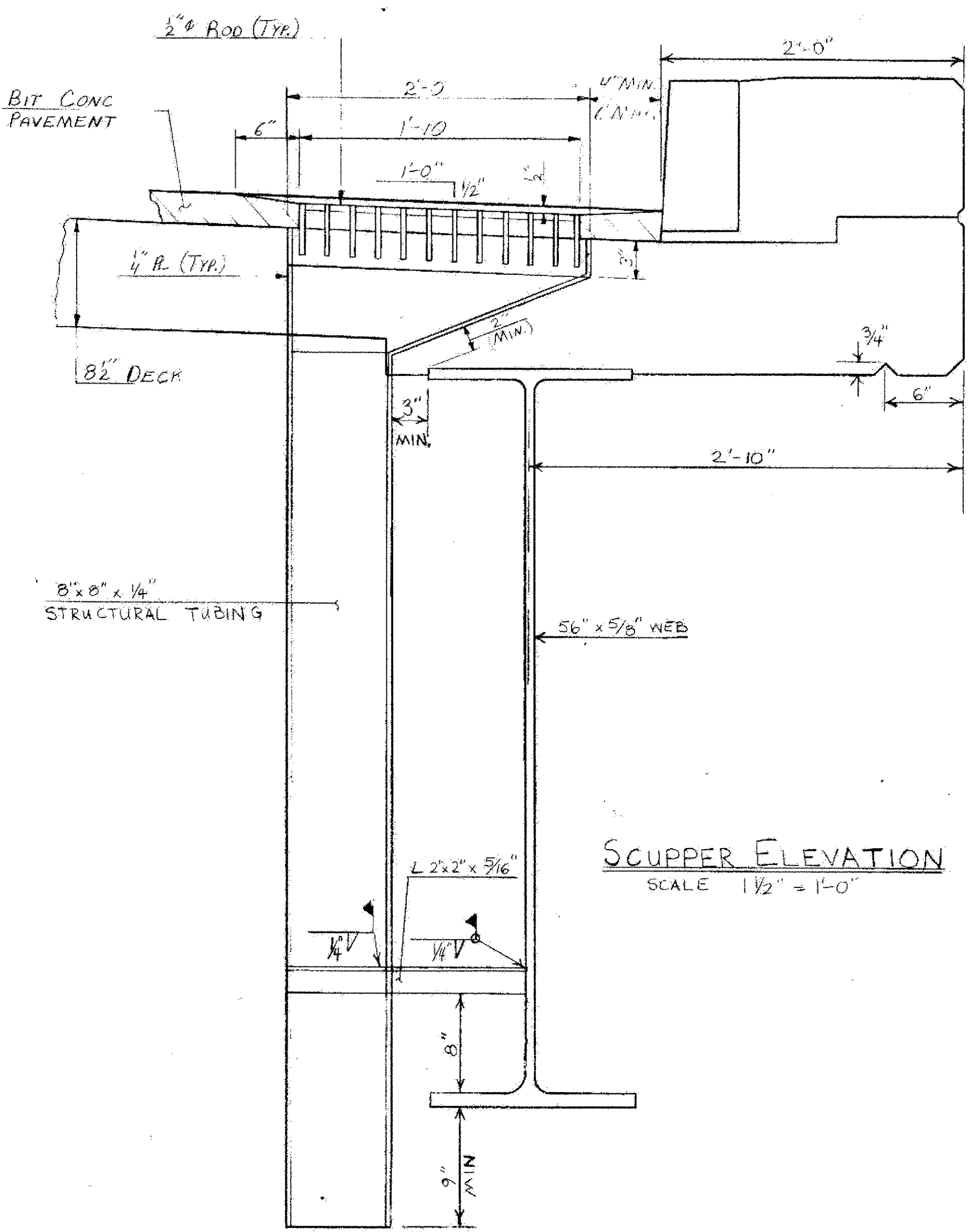
SECTION A-A
SCALE 1/2" = 1'-0"



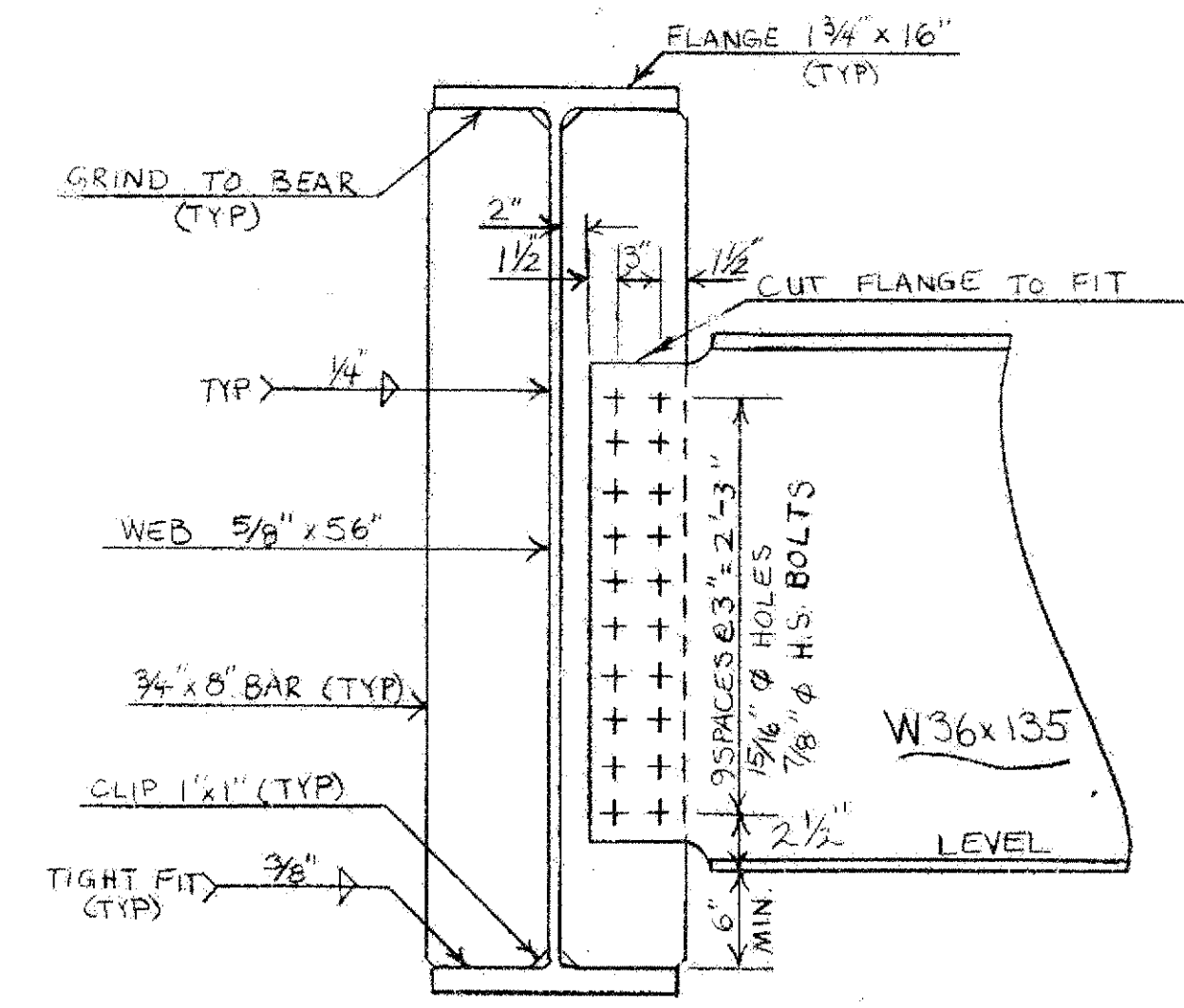
INTERMEDIATE DIAPHRAGM
SCALE 1" = 1'-0"



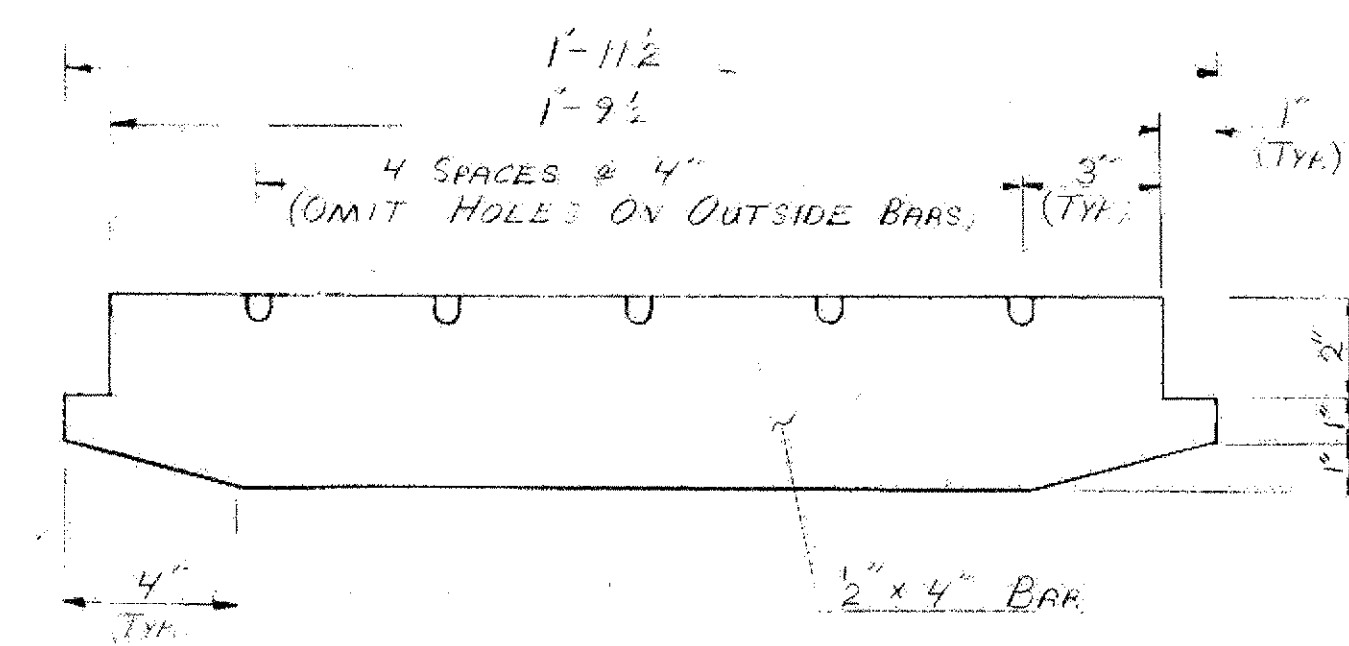
SECTION B-B
SCALE 1" = 1'-0"



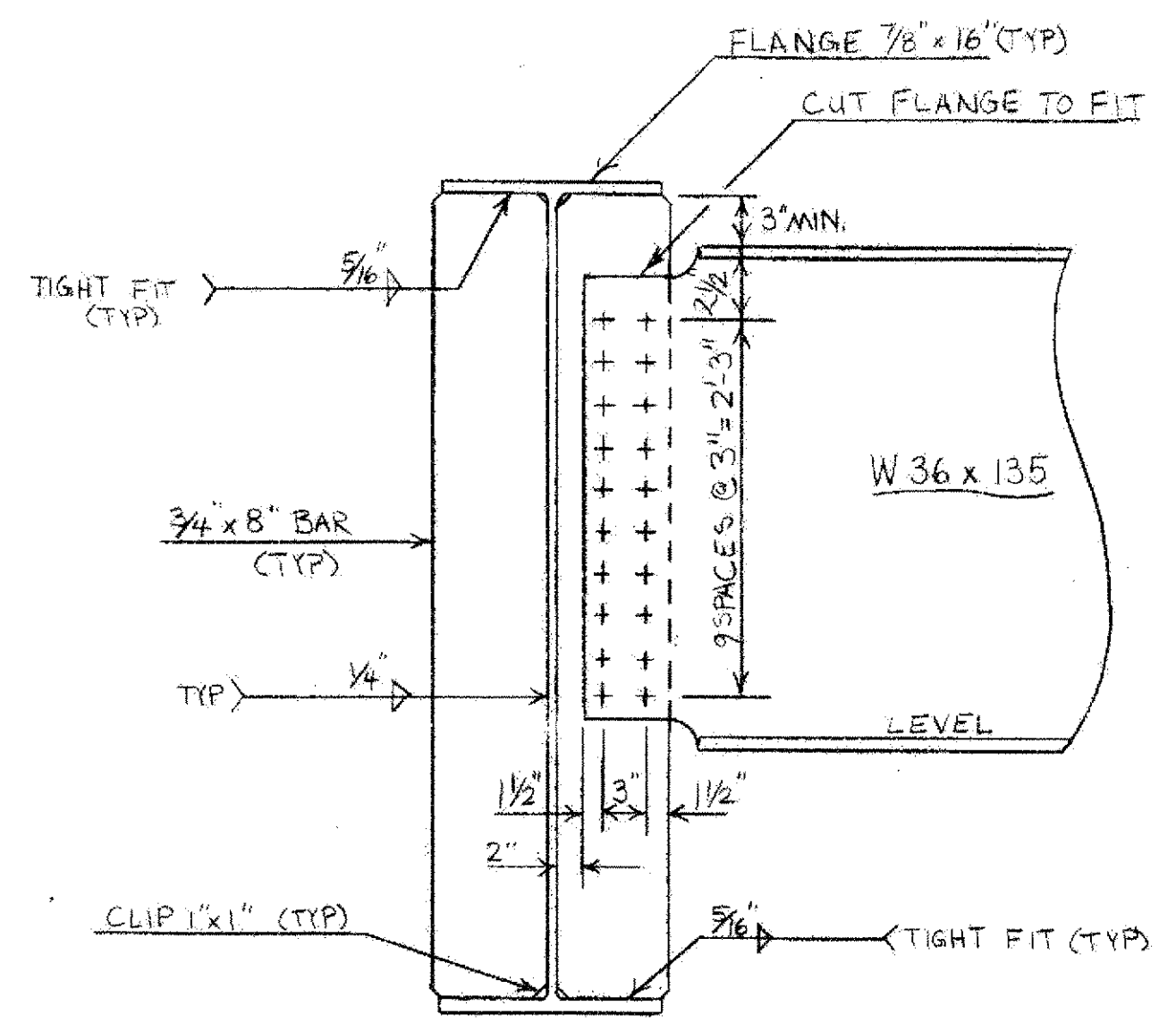
SCUPPER ELEVATION
SCALE 1/2" = 1'-0"



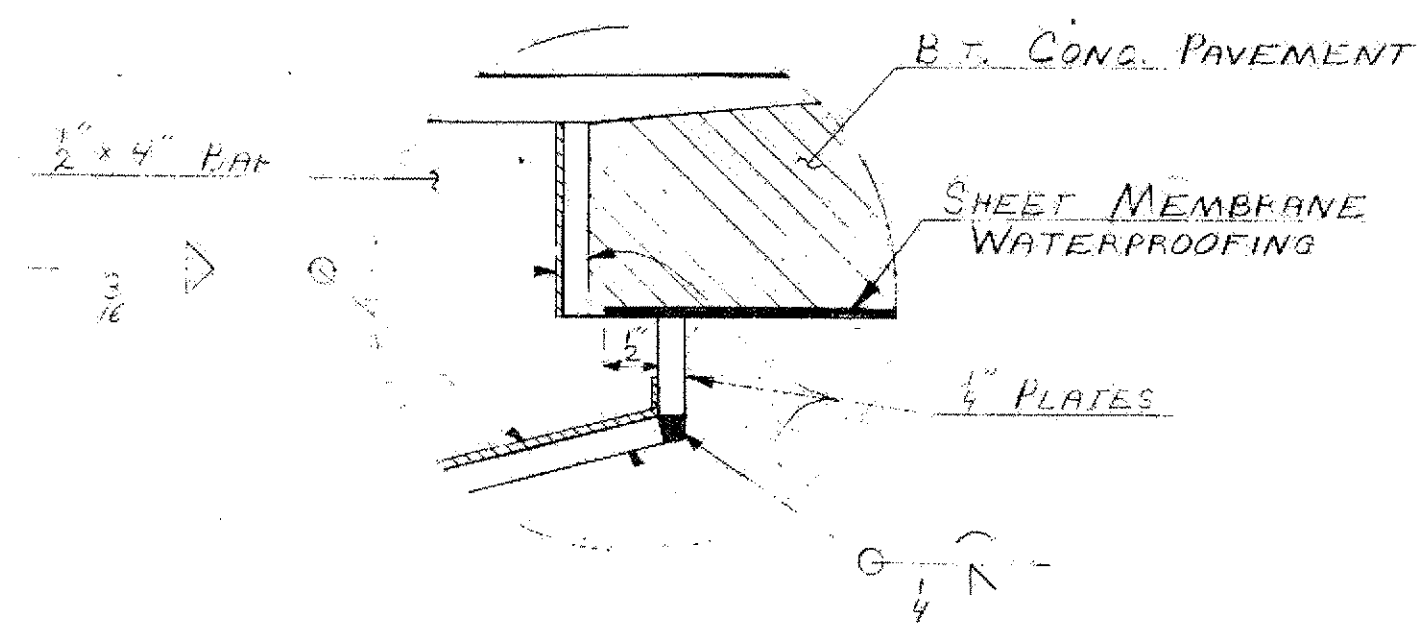
PIER DIAPHRAGM
SCALE 1" = 1'-0"



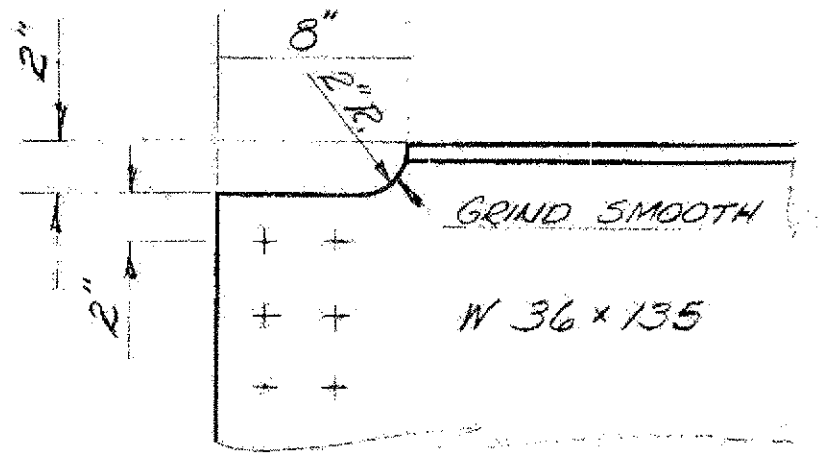
SCUPPER GRATE BAR DETAIL
SCALE 3" = 1'-0"



ABUTMENT DIAPHRAGM
SCALE 1" = 1'-0"



DETAIL A
SCALE 1/2" = 1'-0"



DETAIL B
SCALE 1/2" = 1'-0"

NOTES:

- HOLLOW STRUCTURAL STEEL TUBING SHALL CONFORM TO ASTM A-500 OR A-501. ALL PLATES, BARS, AND ANGLES SHALL CONFORM TO ASTM A-36.
- ALL SCUPPERS SHALL BE GALVANIZED ACCORDING TO ASTM A-123 AFTER FABRICATION.
- TOP SURFACE OF SCUPPERS MUST BE SLOPED TO MATCH ROADWAY CRY.

**FAIR HAVEN - RUTLAND
BHF MEMB(2)
SHEET 35 OF 45
BRIDGES 20 E & W
FOR REFERENCE ONLY**

**STATE OF VERMONT
AGENCY OF TRANSPORTATION**

TOWN OF RUTLAND	Bridge No. 6
HIGHWAY NO. US 4	Log Sta.
	Surv. Sta. 945+00
CROSSFRAME & SCUPPER DETAILS	
US 4 BR 6 OVER OTTER CREEK	
Designed by R.P. GENDRON	Drawn by S. JUNG
Checked by A. Elwood date 8-03	Bridge Design Supervisor R.S. HAUPT date
PROJECT WEST RUTLAND - RUTLAND	PROJECT NO. FEGC 020-1(15)
Bridge Sheet No. BR 609	Sheet 95 of 377