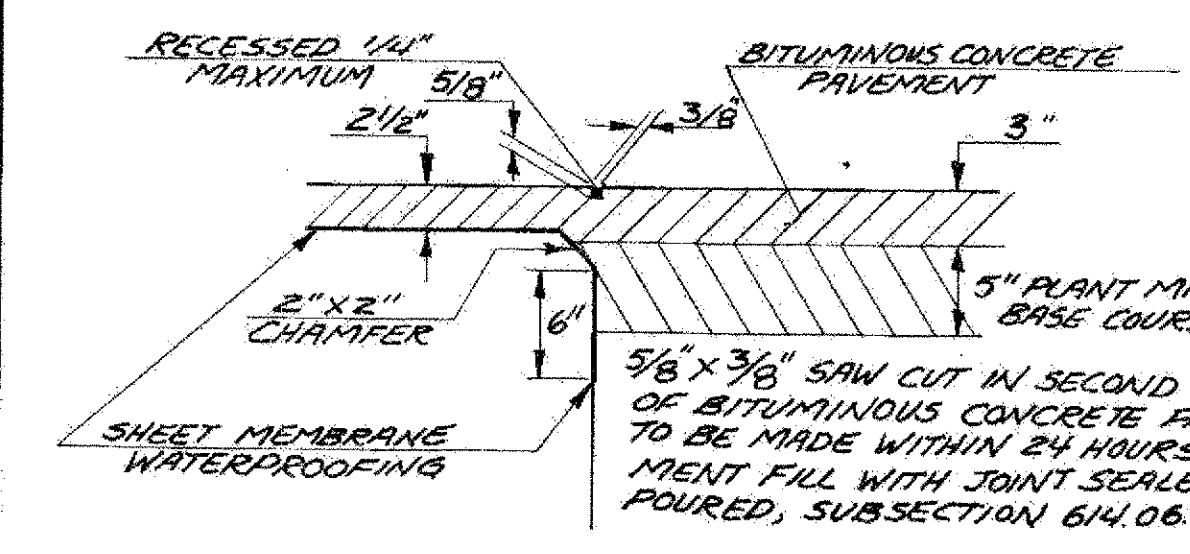
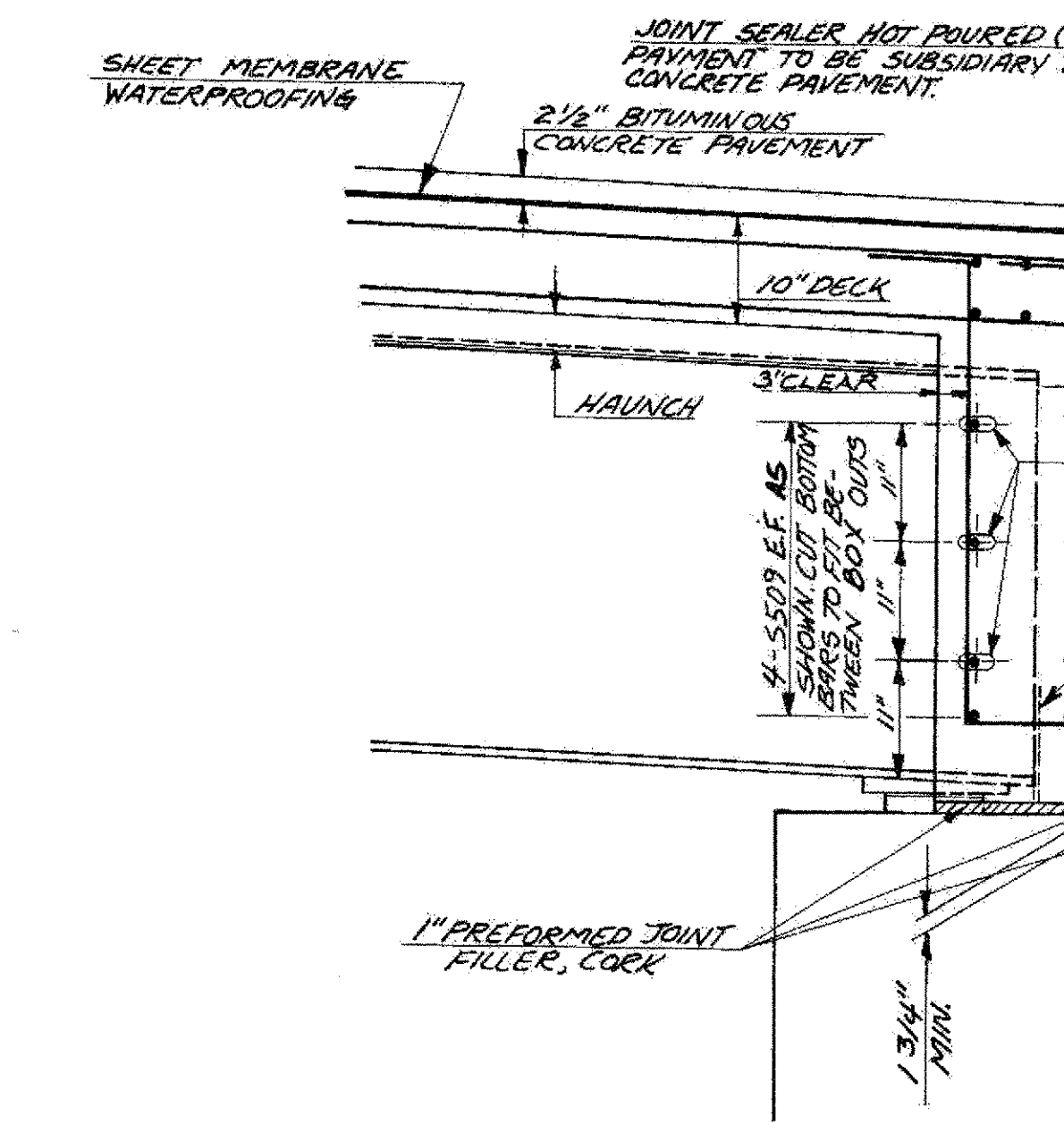


**W.B. DECK REINFORCING PLAN**  
SCALE: 1" = 10'-0"

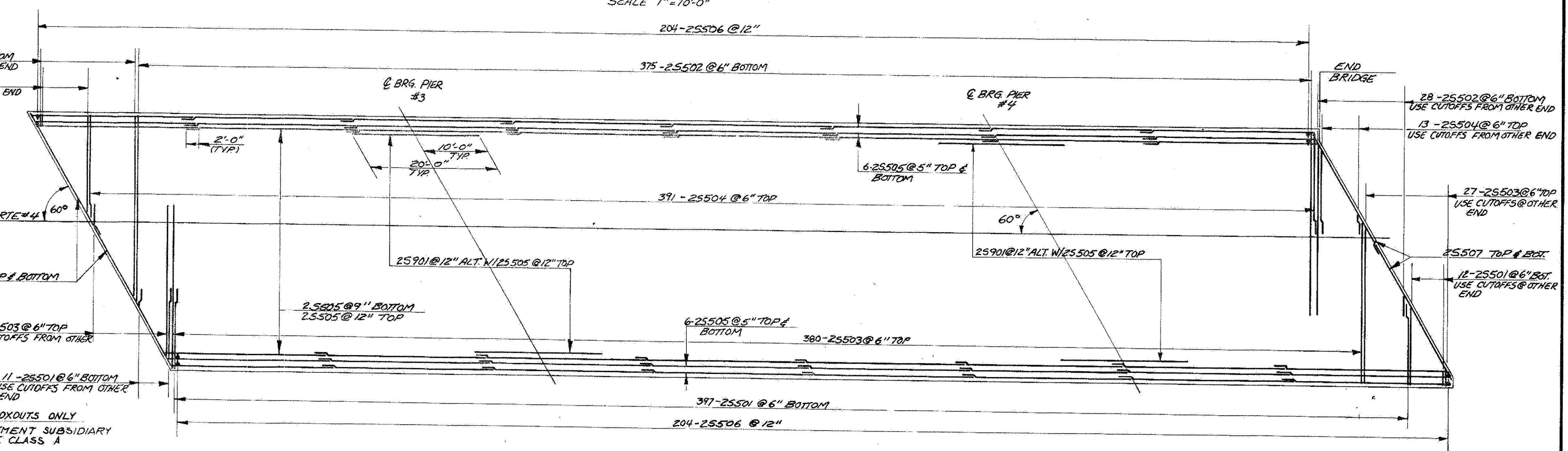
**APPROACH SLAB STEEL DETAIL**  
SCALE: 1" = 10'-0"



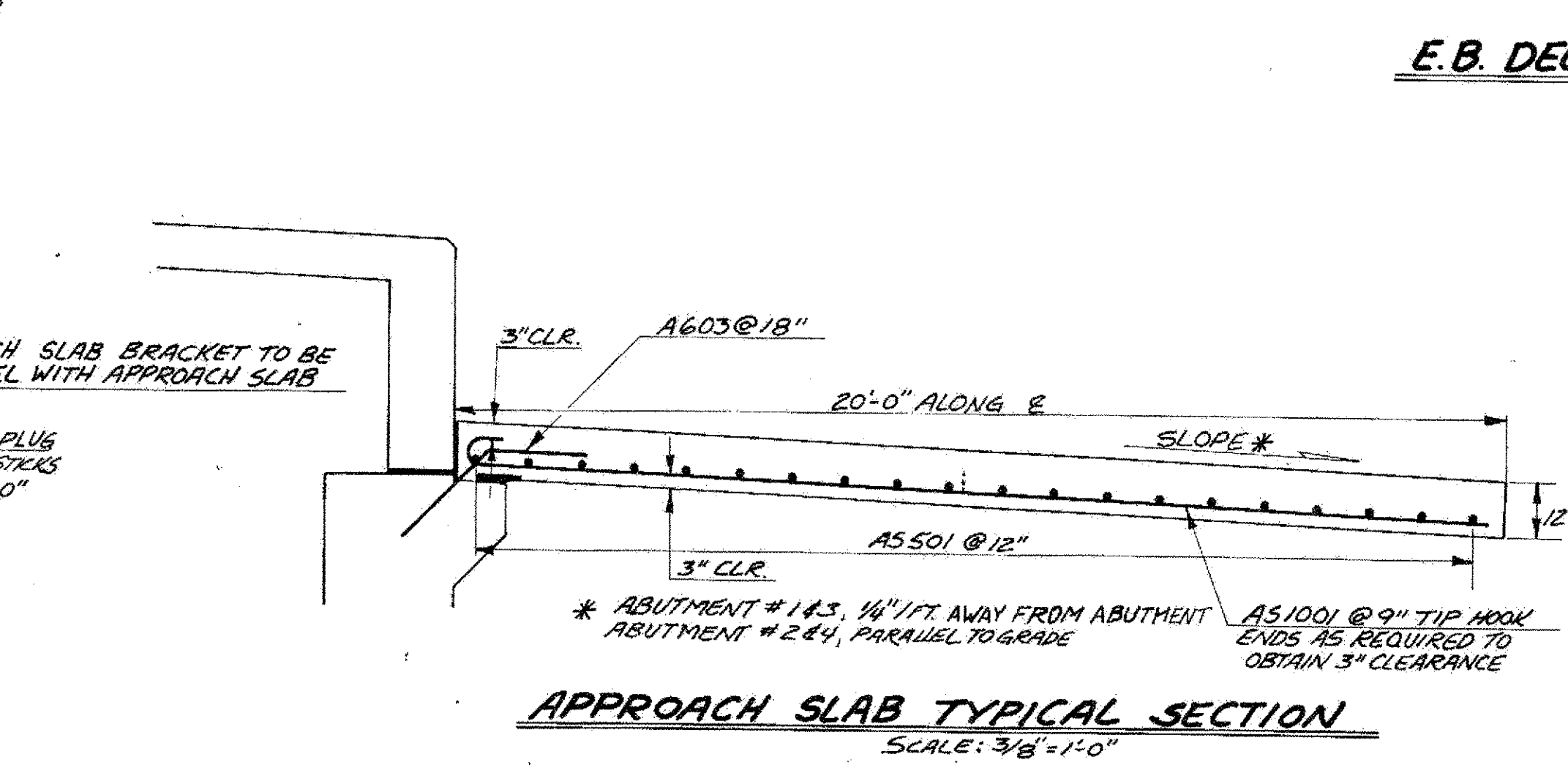
**JOINT SEALER DETAIL**  
SCALE: 3/4" = 1'-0"



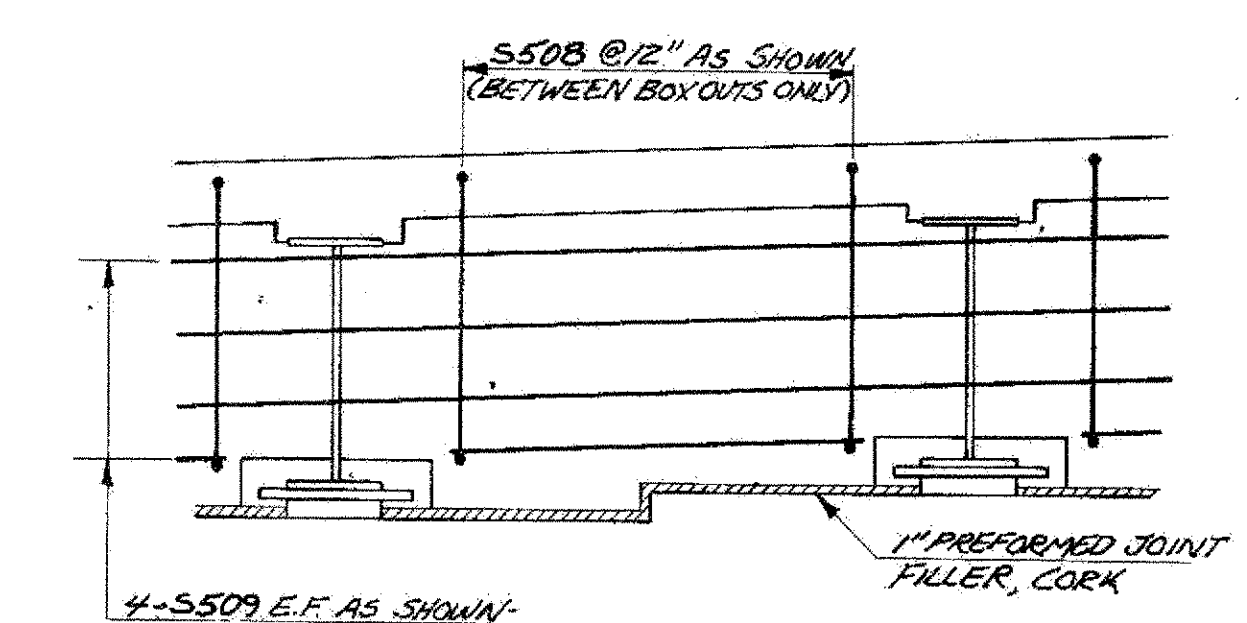
**CURTAIN WALL DETAIL**  
SCALE: 3/4" = 1'-0"



**E.B. DECK REINFORCING PLAN**  
SCALE: 1" = 10'-0"



**APPROACH SLAB TYPICAL SECTION**  
SCALE: 3/8" = 1'-0"



**CURTAIN WALL ELEVATION**  
SCALE: 3/8" = 1'-0"

FAIR HAVEN - RUTLAND  
BHF MEMB(2)  
SHEET 32 OF 45  
BRIDGES 19 E & W  
FOR REFERENCE ONLY

<b>STATE OF VERMONT</b>	
<b>AGENCY OF TRANSPORTATION</b>	
TOWN OF <b>RUTLAND</b>	Bridge No. <b>5</b>
HIGHWAY NO. <b>U.S. RTE #4</b>	Log Sta. <b>1/2</b>
	Surv. Sta. <b>1/2 350.81</b>
<b>U.S. RTE #4 OVER DORR DRIVE</b>	
<b>CURTAIN WALL, APPROACH SLAB &amp; DECK STEEL DETAILS</b>	
Designed by <b>J. B. MCCARTHY</b>	Drawn by <b>L. C. GATES</b>
Checked by <b>G. S. ROGERS</b>	Bridge Design Supervisor
date <b>8/83</b>	<b>F. W. Bolcum</b> date <b>12/83</b>
PROJECT <b>WEST RUTLAND - RUTLAND</b>	PROJECT NO.
Bridge Sheet No. <b>BR 508</b>	FECC <b>020-1(15)</b>
Sheet <b>88</b>	of <b>377</b>

BR-6-83