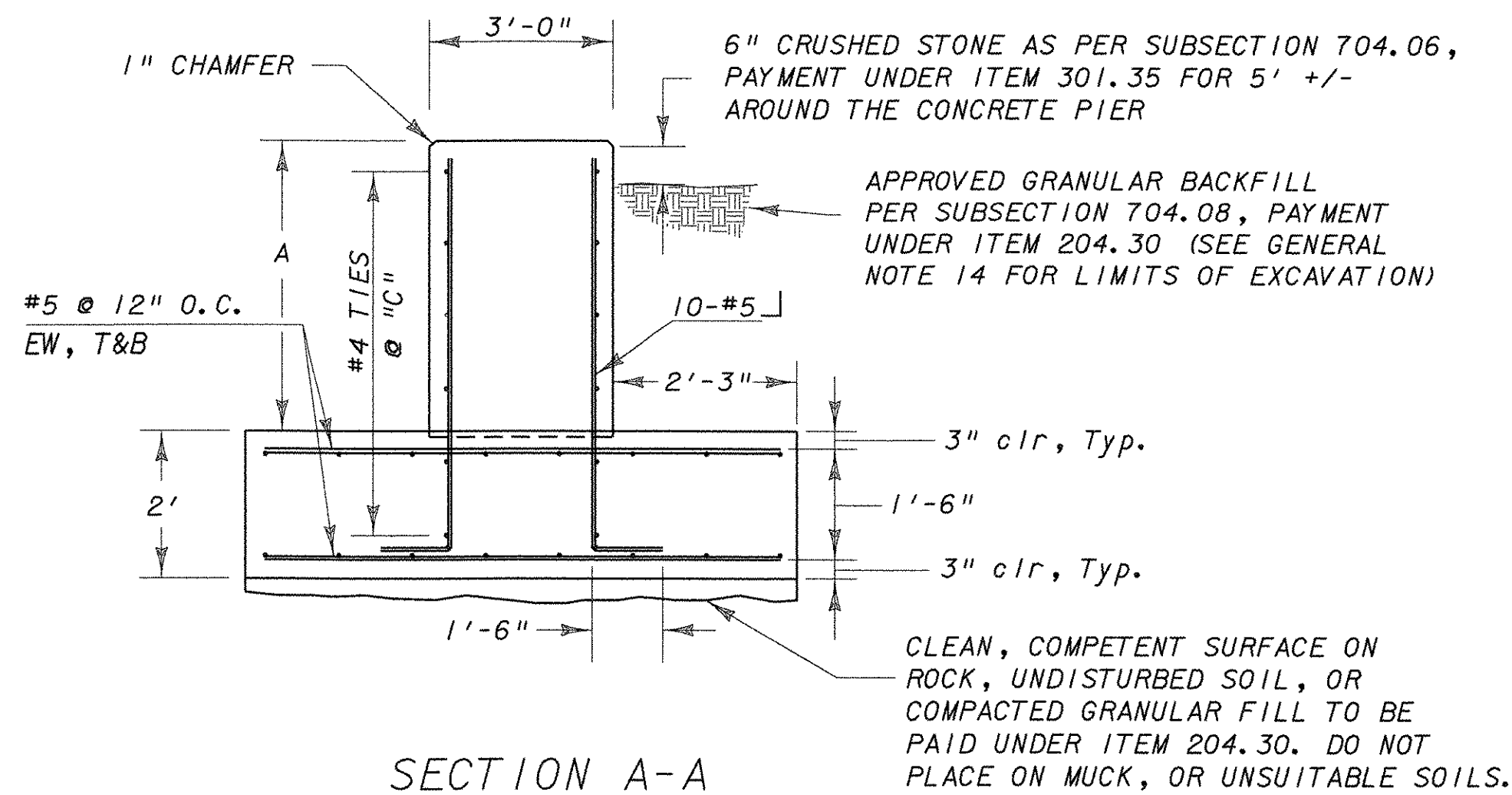


RWIS FOUNDATION PLAN - TOP VIEW
N. T. S.



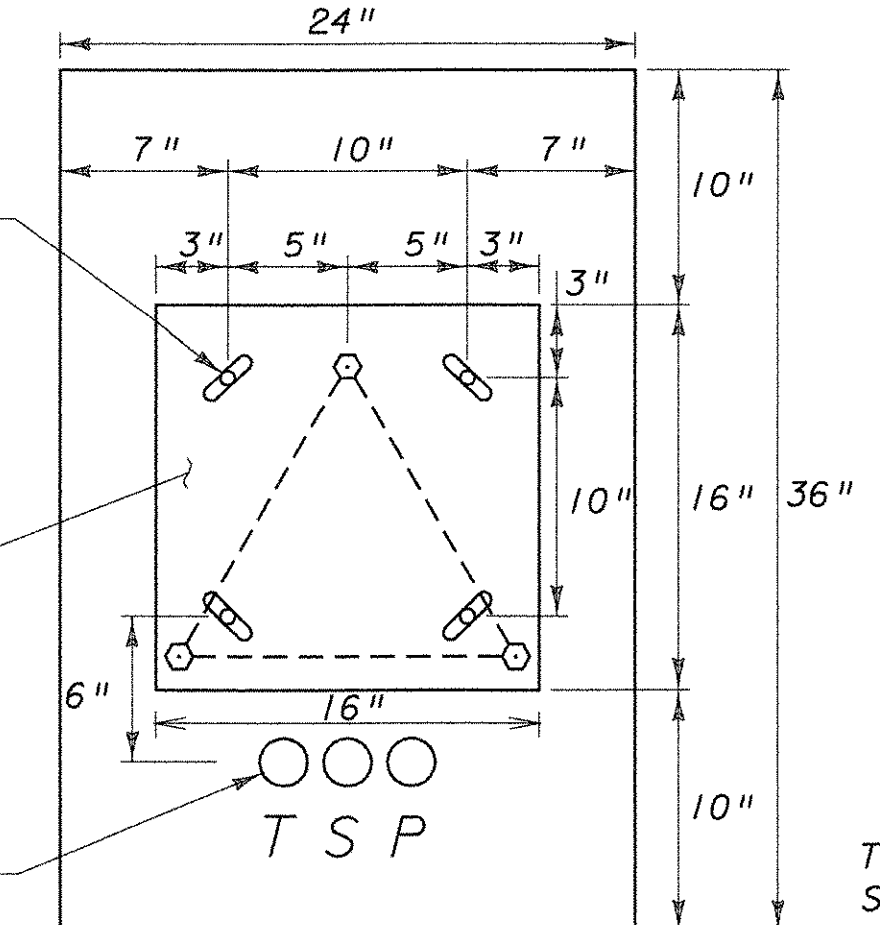
SECTION A-A
RWIS FOUNDATION PLAN - SIDE VIEW
N. T. S.

NOTE: THE 5/8" "J" ANCHOR BOLTS AND CONDUITS SHALL BE THE ONLY COMPONENTS POSITIONED IN THE CONCRETE PIER.

5/8" X 18" LONG "J" ANCHOR BOLT SUPPLIED BY TOWER VENDOR

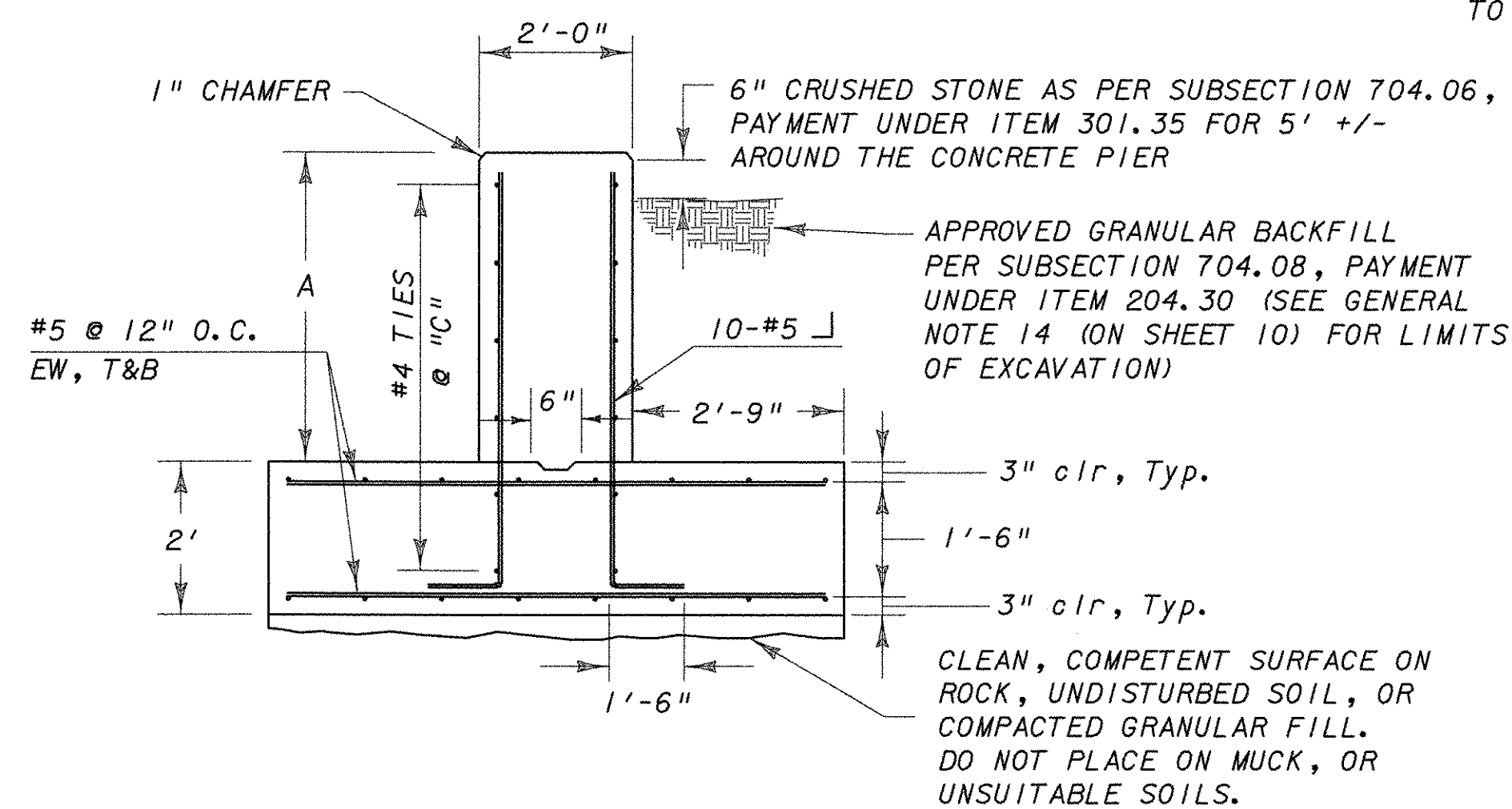
TOWER BASE PLATE SUPPLIED BY TOWER VENDOR

CONDUITS FOR SENSORS, POWER AND PHONE (SEE SITE PLAN FOR NUMBER AND SIZE)



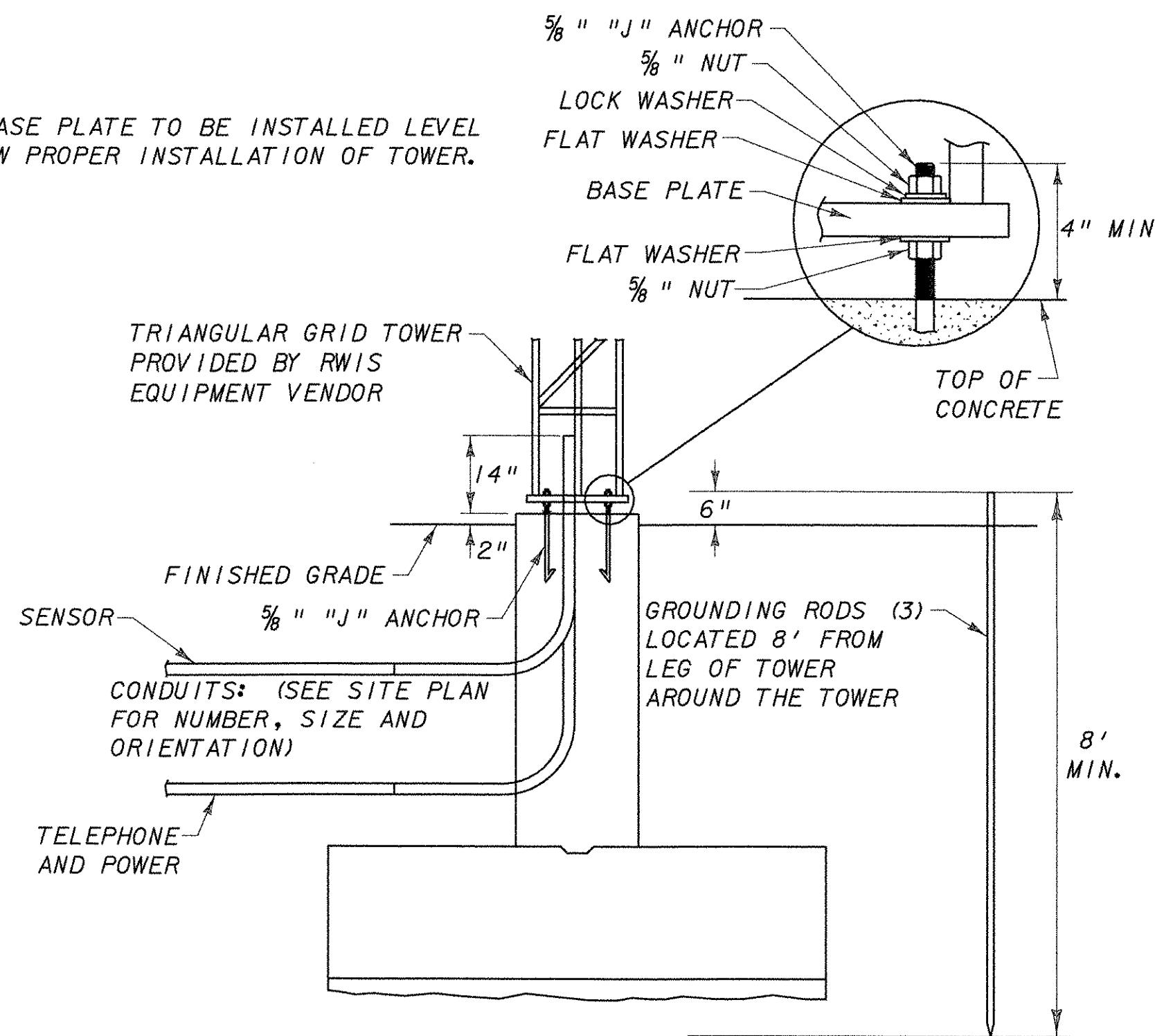
TOWER BASE PLATE ANCHOR BOLT PLACEMENT
N. T. S.

T = TELEPHONE
S = SENSOR
P = POWER

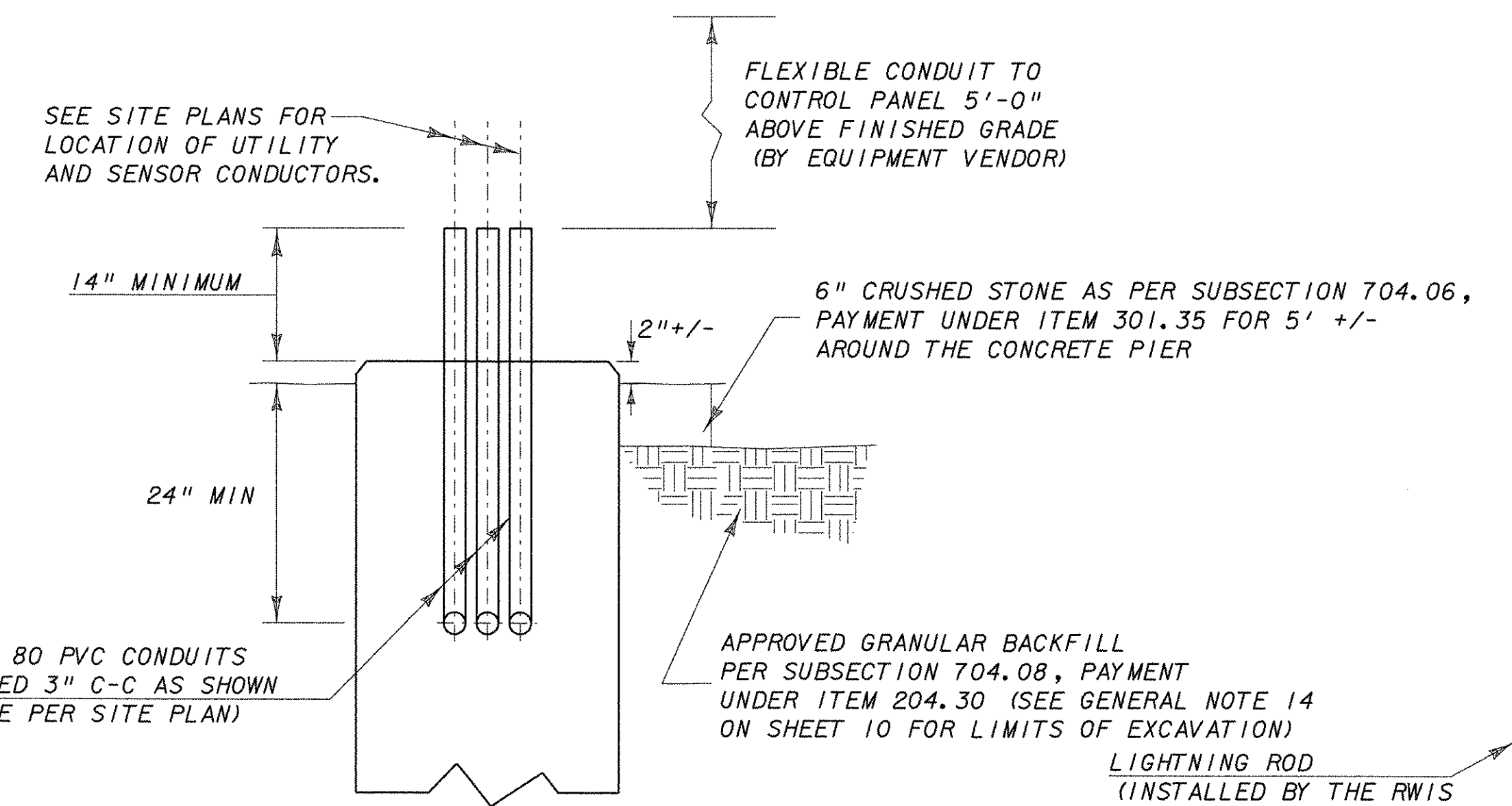


SECTION B-B
RWIS FOUNDATION PLAN - FRONT VIEW
N. T. S.

NOTE: BASE PLATE TO BE INSTALLED LEVEL TO ALLOW PROPER INSTALLATION OF TOWER.



TOWER BASE PLATE AND GROUNDING ROD INSTALLATION
N. T. S.



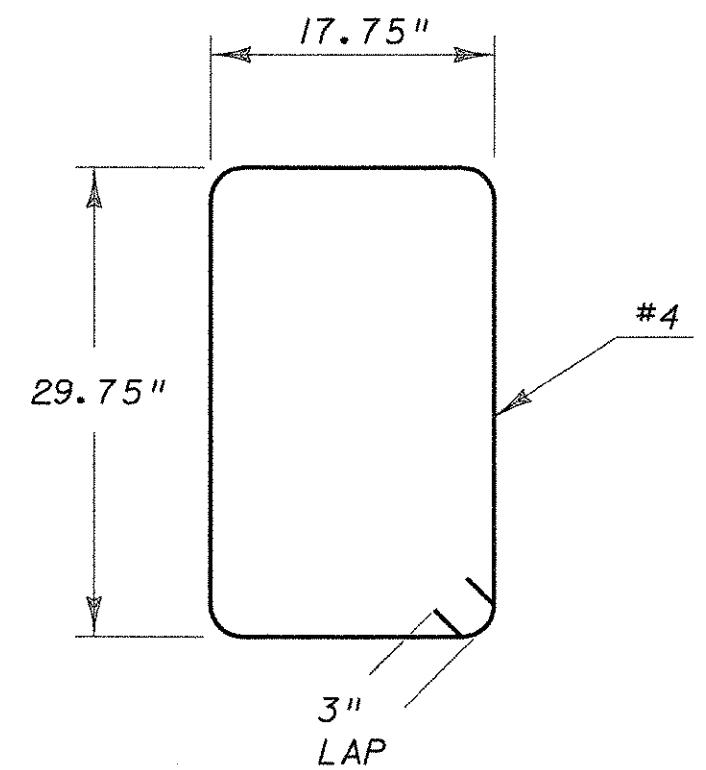
ELEVATION OF CONCRETE PIER
N. T. S.

NOTE: ANCHOR BOLTS OR TOWER BASE NOT SHOWN. SET AS REQUIRED BY POLE/TOWER MANUFACTURER. ANCHOR BOLTS OR TOWER BASE TO BE SUPPLIED BY RWIS EQUIPMENT VENDOR.

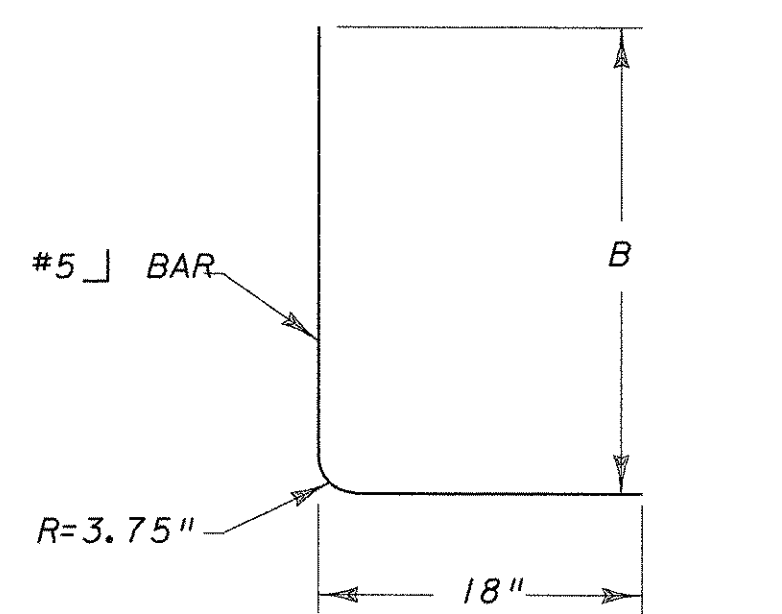
THE CONTRACTOR WILL COORDINATE WITH THE TOWER MANUFACTURER WHEN THE STEM OF THE FOUNDATION WILL BE POURED, SO THE CONTRACTOR CAN PROPERLY SET THE ANCHOR BOLTS AND BASE PLATE OF THE POLE/TRIANGULAR TOWER BASE.

DEPTH TO LEDGE	PIER HEIGHT "A"	BAR DIMENSION "B"	# TIES @ SPACING "C"
6' OR >	4'	66"	7 @ 11" O.C.
5'	3'	54"	6 @ 10.8" O.C.
4'	2'	42"	5 @ 10.5" O.C.
3'	1'	30"	4 @ 10" O.C.

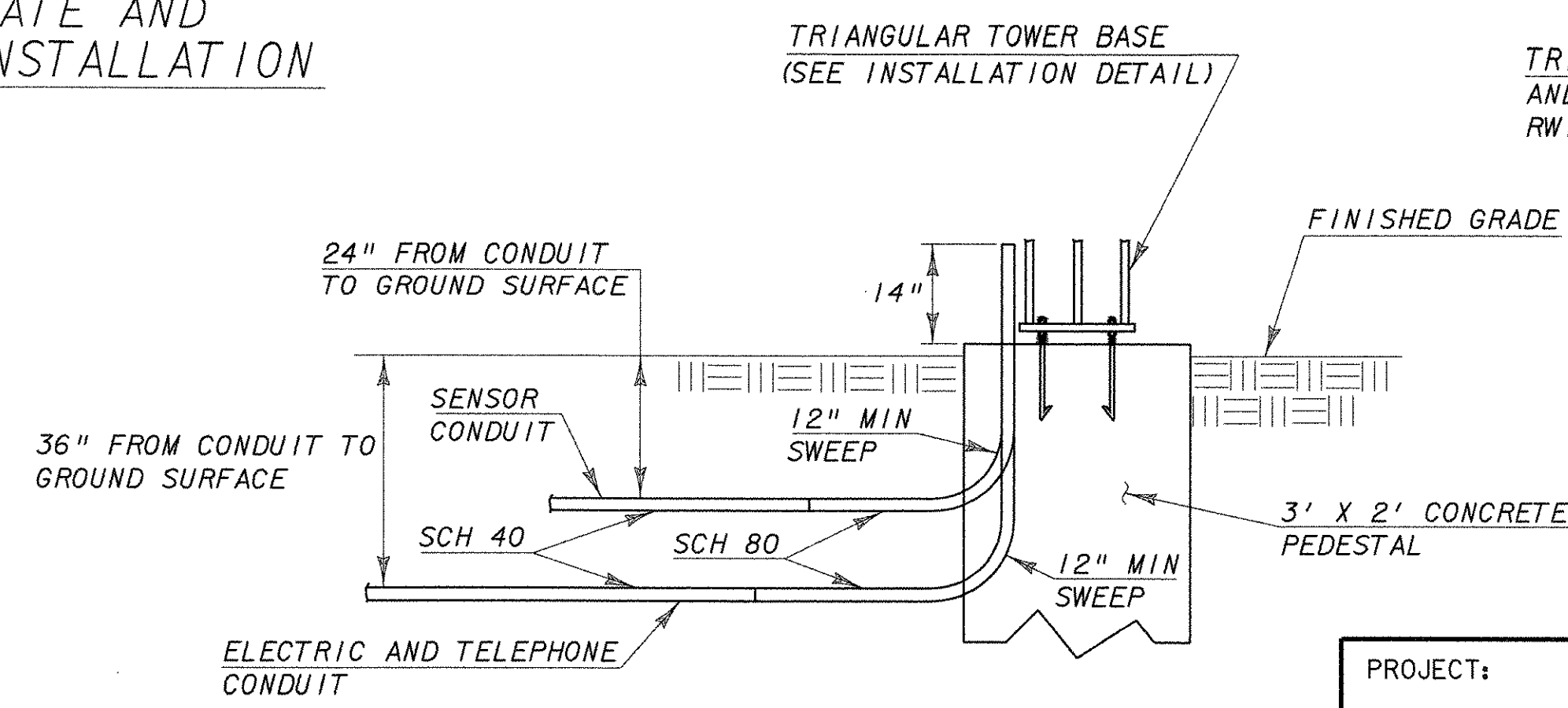
FOUNDATION REINFORCEMENT SCHEDULE
(IF LEDGE IS ENCOUNTERED)



REINFORCING DETAIL PIER TIE
N. T. S.



REINFORCING DETAIL PIER STEEL
N. T. S.



CONDUIT PENETRATION DETAIL FOUNDATION / PIER
N. T. S.

TRIANGULAR GRID TOWER PROVIDED AND INSTALLED BY THE RWIS EQUIPMENT VENDOR

30' TOWER FIXTURES
N. T. S.

MENDON

PROJECT: FAIR HAVEN: RWIS
MENDON: RWIS

FILE NAME: 010000ide+2.dgn
PROJECT LEADER: R. CAMBIO
DESIGNED BY: BMB
FOUNDATION DETAILS

PLOT DATE: 24-AUG-2007
DRAWN BY: MJF
CHECKED BY: MDL
SHEET 11 OF 12