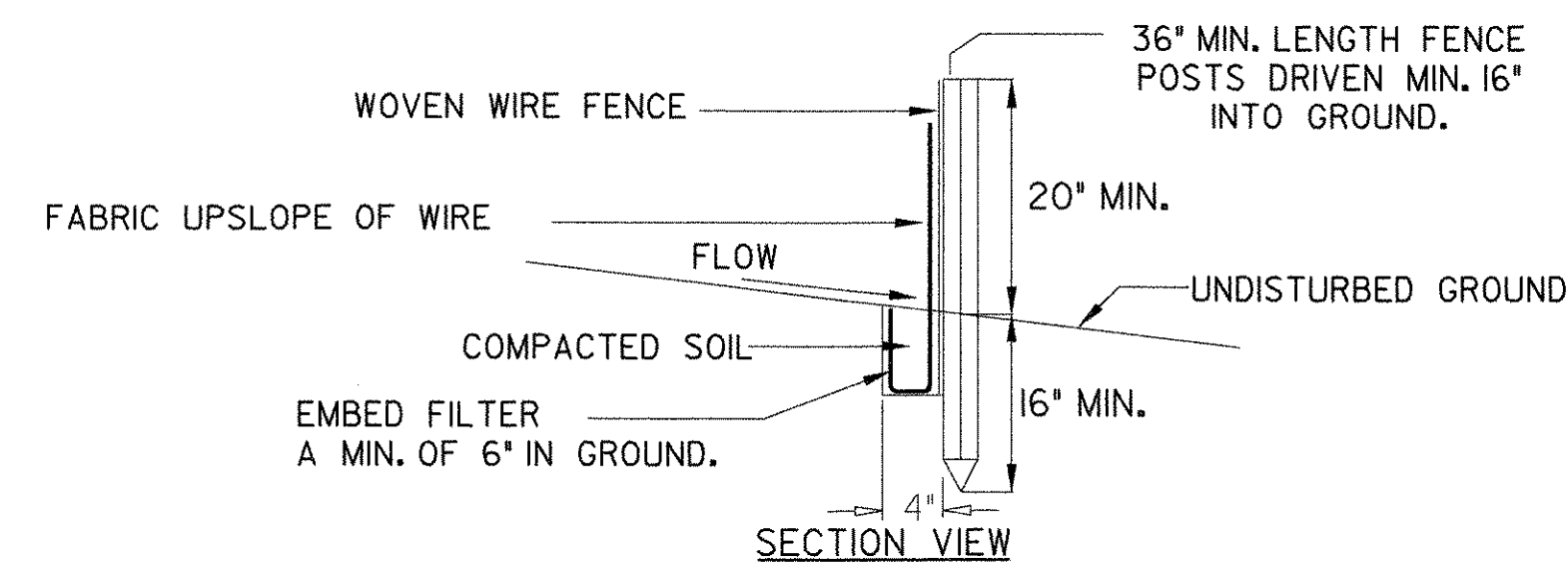
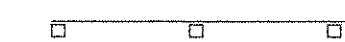


SYMBOL



CONSTRUCTION SPECIFICATIONS

1. WOVEN WIRE FENCE REINFORCEMENT IS ONLY REQUIRED WITHIN 100 FT UPSLOPE OF RECEIVING WATERS.
2. WHERE REQUIRED FENCE SHALL BE WOVEN WIRE, MIN. 14 GAUGE WITH A 6\"/>

NOTES:
REFER TO "LOW RISK SITE HANDBOOK FOR EROSION PREVENTION AND SEDIMENT CONTROL - 2006 - " FROM THE VT AGENCY OF NATURAL RESOURCES FOR ADDITIONAL GUIDANCE.

THIS ITEM SHALL BE PAID FOR UNDER ITEM 649.51 GEOTEXTILE FOR SILT FENCE (FILTER FABRIC ONLY FENCE)

ADAPTED FROM DETAILS PROVIDED BY: NEW YORK STATE DEC
ORIGINALLY DEVELOPED BY USDA-NRCS
VERMONT DEPARTMENT OF ENVIRONMENTAL CONSERVATION

DATUM
VERTICAL: NAVD 88
HORIZONTAL: NAD83 (96)

PROJECT:	FAIR HAVEN: RWIS MENDON: RWIS	
FILE NAME: EPSC-1.DGN	PLOT DATE: 10-AUG-2007	
PROJECT LEADER: D. GRAHAVOC	DRAWN BY: MAL	
DESIGNED BY: BMB	CHECKED BY: MDL	
SILT FENCE DETAILS	SHEET 4 OF 12	