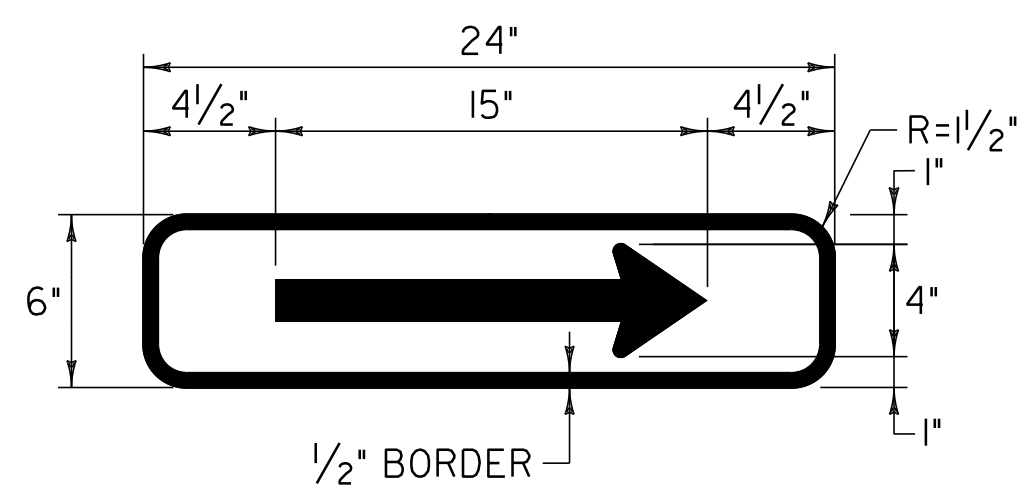


COLOR: WHITE BORDER & TEXT (REFLECTORIZED)
 GREEN BACKGROUND (REFLECTORIZED)

MATERIAL: PER VAOT STANDARD E-131

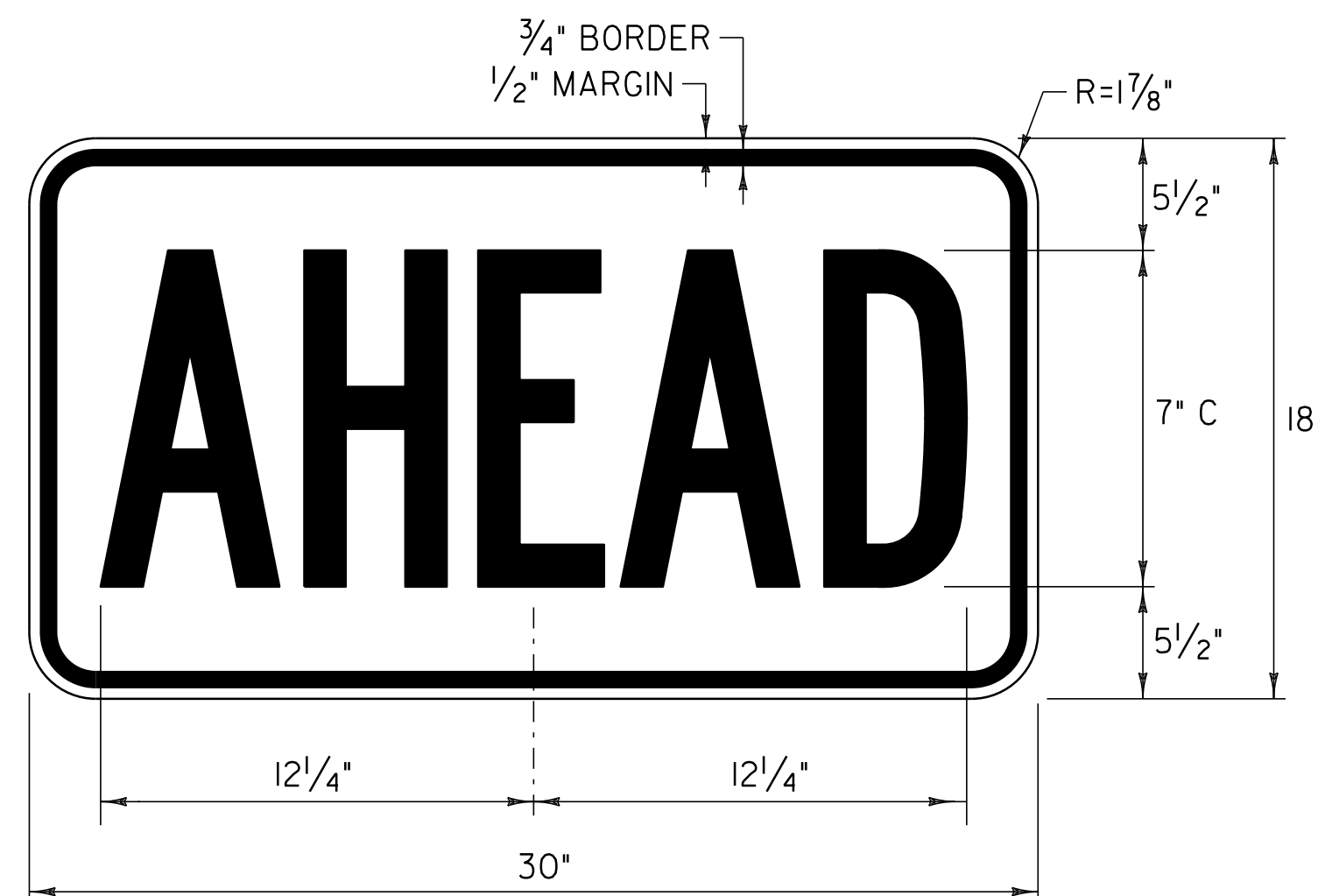
LOCATION: U.S. ROUTE 7
 BURLINGTON:
 STA 1+18.0, RT



COLOR: WHITE BORDER & LEGEND (REFLECTORIZED)
 GREEN BACKGROUND (REFLECTORIZED)

MATERIAL: PER VAOT STANDARD E-131

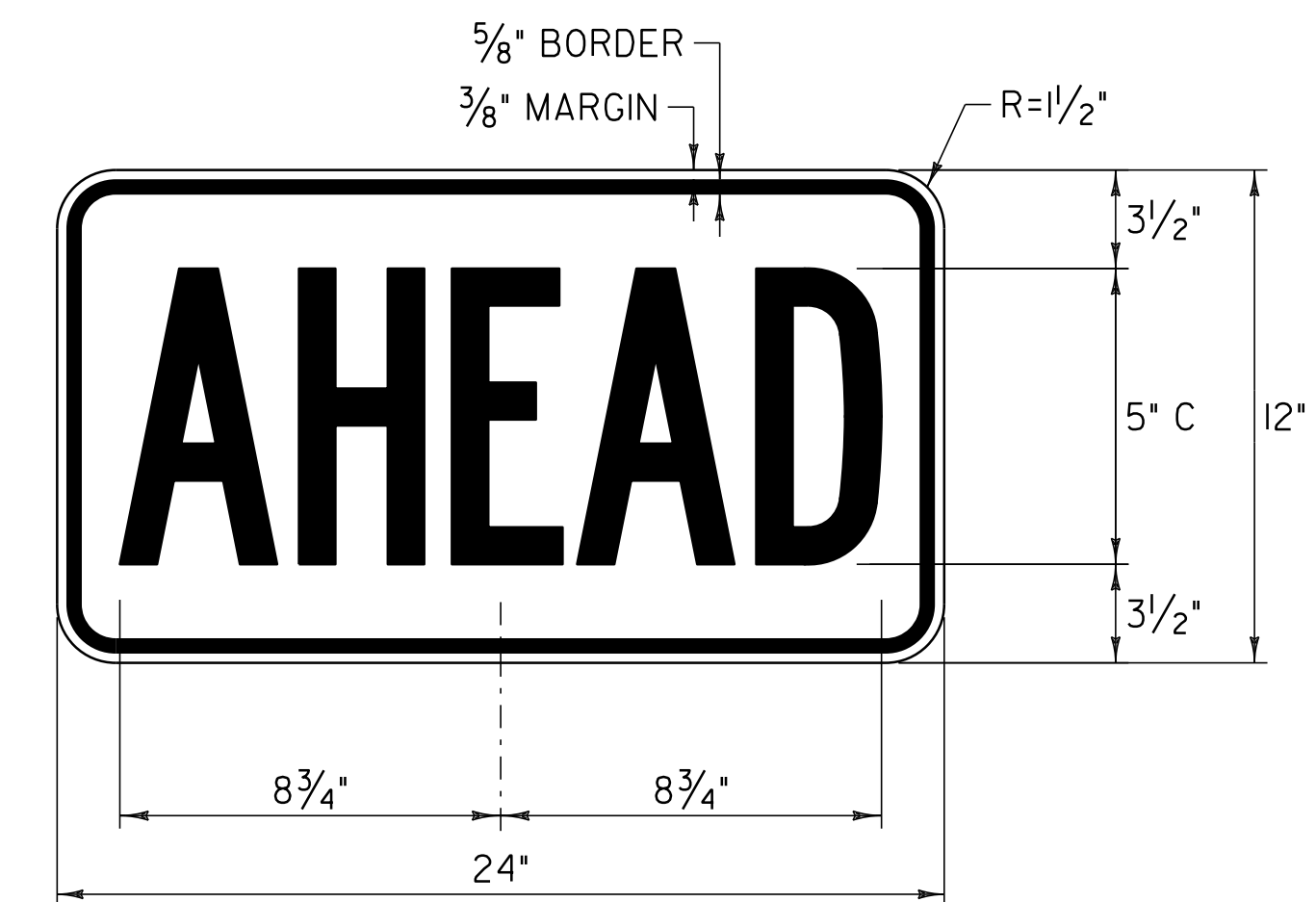
LOCATION: U.S. ROUTE 7
 BURLINGTON:
 STA 1+18.0, RT



COLOR: BLACK BORDER & TEXT
 FLUORESCENT YELLOW-GREEN BACKGROUND (RETROREFLECTIVE)

MATERIAL: PER VAOT STANDARD E-153

LOCATION: I-189 RAMP "C"
 BURLINGTON:
 STA. C41+10.0, RT



COLOR: BLACK BORDER & TEXT
 FLUORESCENT YELLOW-GREEN BACKGROUND (RETROREFLECTIVE)

MATERIAL: PER VAOT STANDARD E-153

LOCATION: U.S. ROUTE 7
 BURLINGTON:
 STA. 1+00.0, RT

NOT TO SCALE

**TRAFFIC SIGN
 DETAIL
 SHEET**

PROJECT NAME: BURLINGTON CITY
 PROJECT NUMBER: NH 2726(1)S

FILE NAME: 07D220.dgn
 PROJECT LEADER: DEG
 DESIGNED BY: JPS
 IPARM FILE: 07D220_31.i

PLOT DATE: 31-OCT-2011 6:44
 DRAWN BY: KAR
 CHECKED BY: DWE
 SHEET 31 OF 88