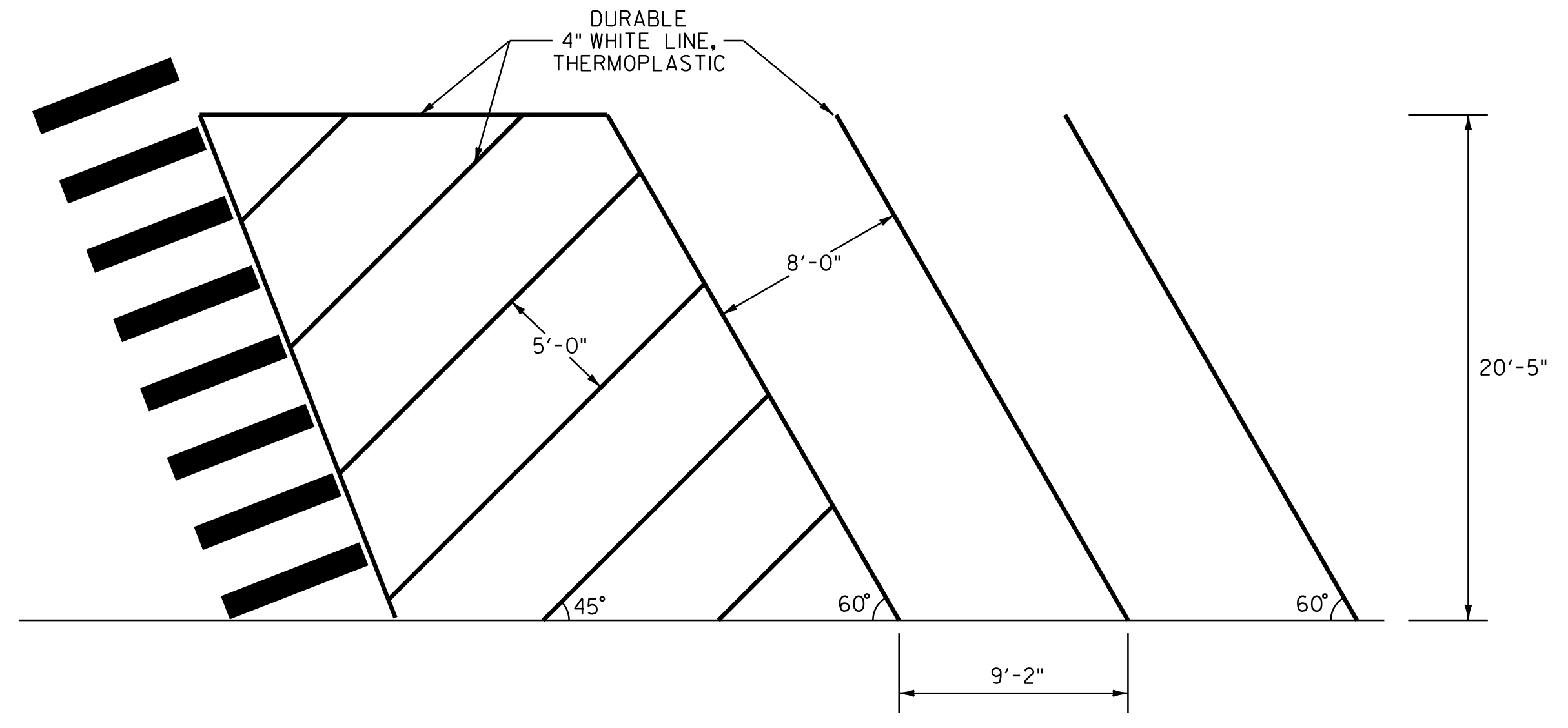
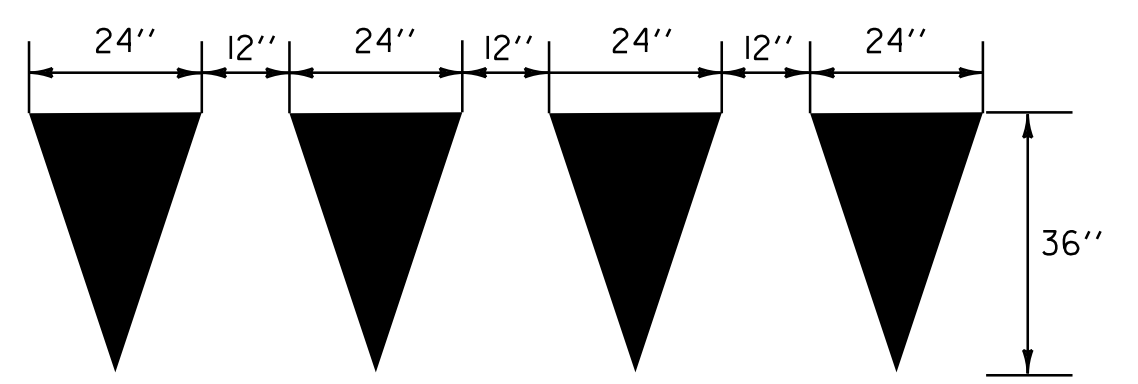


PAVEMENT MARKING LETTER DETAILS
SEE VAOT STANDARD E-191 FOR MORE INFORMATION

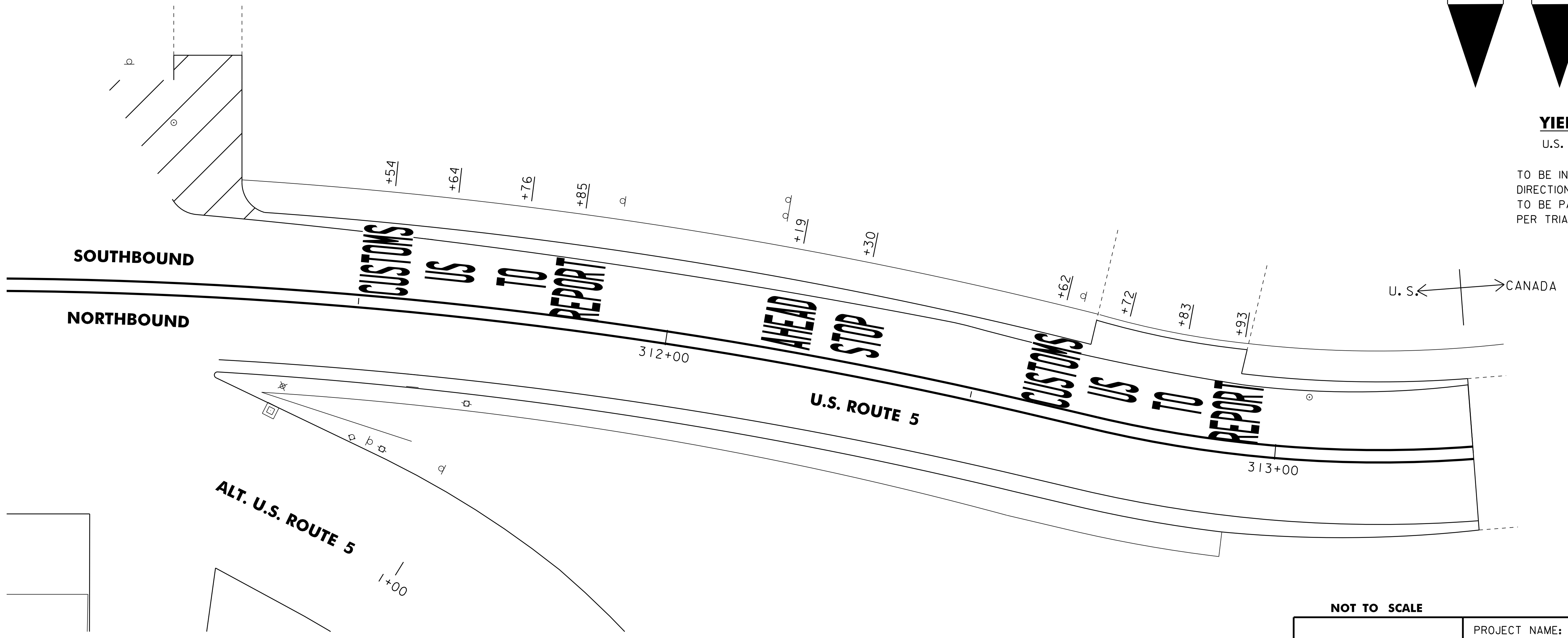


TYPICAL ANGLED PARKING PAVEMENT MARKING DETAIL
SEE LAYOUT SHEETS FOR LOCATIONS



YIELD LINE DETAILS
U.S. ROUTE 5 STA. 301+58, LT

TO BE INSTALLED ONLY AT THE
DIRECTION OF THE RESIDENT ENGINEER
TO BE PAID AS ONE LETTER OR SYMBOL
PER TRIANGLE



DURABLE LETTER OR SYMBOL, THERMOPLASTIC LAYOUT DETAIL - U.S. ROUTE 5
SEE LAYOUT SHEET #8 FOR ADDITIONAL INFORMATION

NOT TO SCALE PAVEMENT MARKING DETAIL SHEET	PROJECT NAME: DERBY	PLOT DATE: 29-JAN-2013 09:2
	PROJECT NUMBER: STP 2703(I)	DRAWN BY: STANTEC
	FILE NAME: 07D202.dgn	CHECKED BY: JLL
	PROJECT LEADER: JLL DESIGNED BY: STANTEC IPARM FILE: 07C194_59.i	SHEET 59 OF 62