

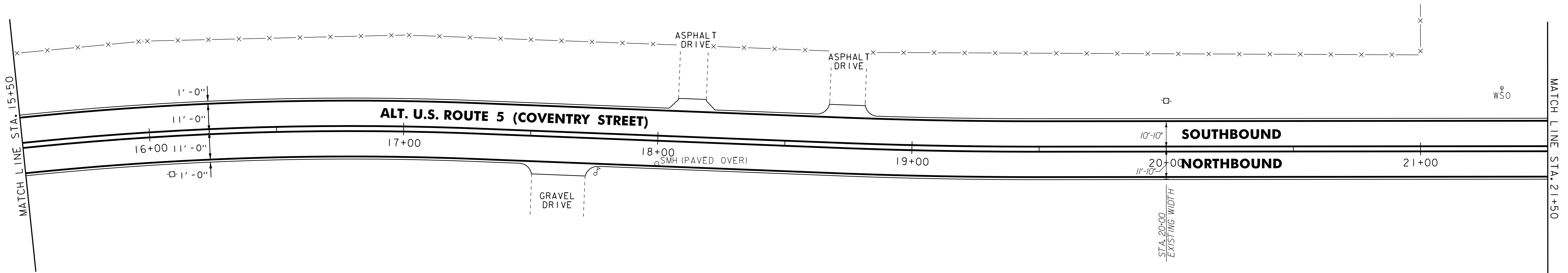
604.42 CHANGING ELEVATION OF SEWER MANHOLES  
STA. 18+00, RT

646.20 4 INCH WHITE LINE  
STA. 15+50 TO 21+50, SOLID LT & RT

646.602 TEMPORARY 4 INCH WHITE LINE, PAINT  
STA. 15+50 TO 21+50, SOLID LT & RT

646.21 4 INCH YELLOW LINE  
STA. 15+50 TO 21+50, SOLID LT & RT

646.612 TEMPORARY 4 INCH YELLOW LINE, PAINT  
STA. 15+50 TO 21+50, SOLID LT & RT

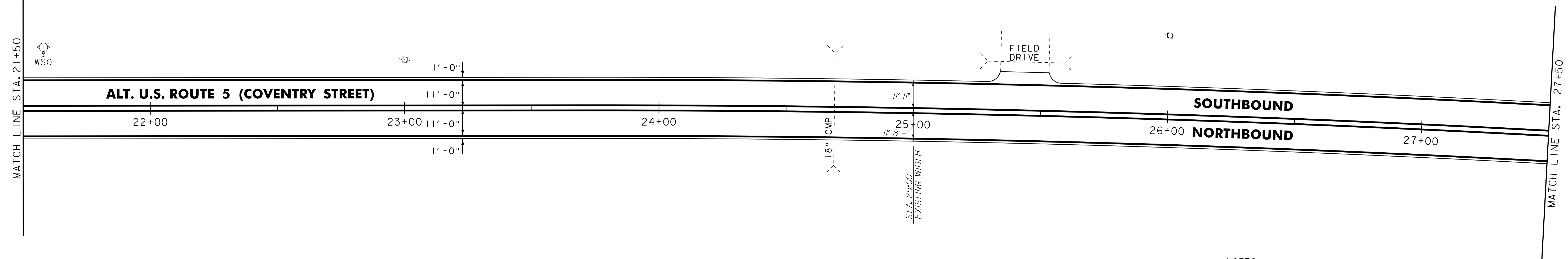


646.20 4 INCH WHITE LINE  
STA. 21+50 TO 27+50, SOLID LT & RT

646.602 TEMPORARY 4 INCH WHITE LINE, PAINT  
STA. 21+50 TO 27+50, SOLID LT & RT

646.21 4 INCH YELLOW LINE  
STA. 21+50 TO 27+50, SOLID LT & RT

646.612 TEMPORARY 4 INCH YELLOW LINE, PAINT  
STA. 21+50 TO 27+50, SOLID LT & RT



- NOTES:
1. ALL EXISTING SIGNS NOT SHOWN SHALL BE RETAINED.
  2. FOR LEGEND, SEE LAYOUT SHEET #1

NOT TO SCALE

**PROJECT  
LAYOUT  
SHEET #3**

PROJECT NAME: NEWPORT CITY  
PROJECT NUMBER: STP 2719(1)

FILE NAME: 07D202.dgn  
PROJECT LEADER: JLL  
DESIGNED BY: STANTEC  
IPARM FILE: 07D202\_14.i

PLOT DATE: 29-JAN-2013 09:2  
DRAWN BY: STANTEC  
CHECKED BY: JLL  
SHEET 14 OF 62