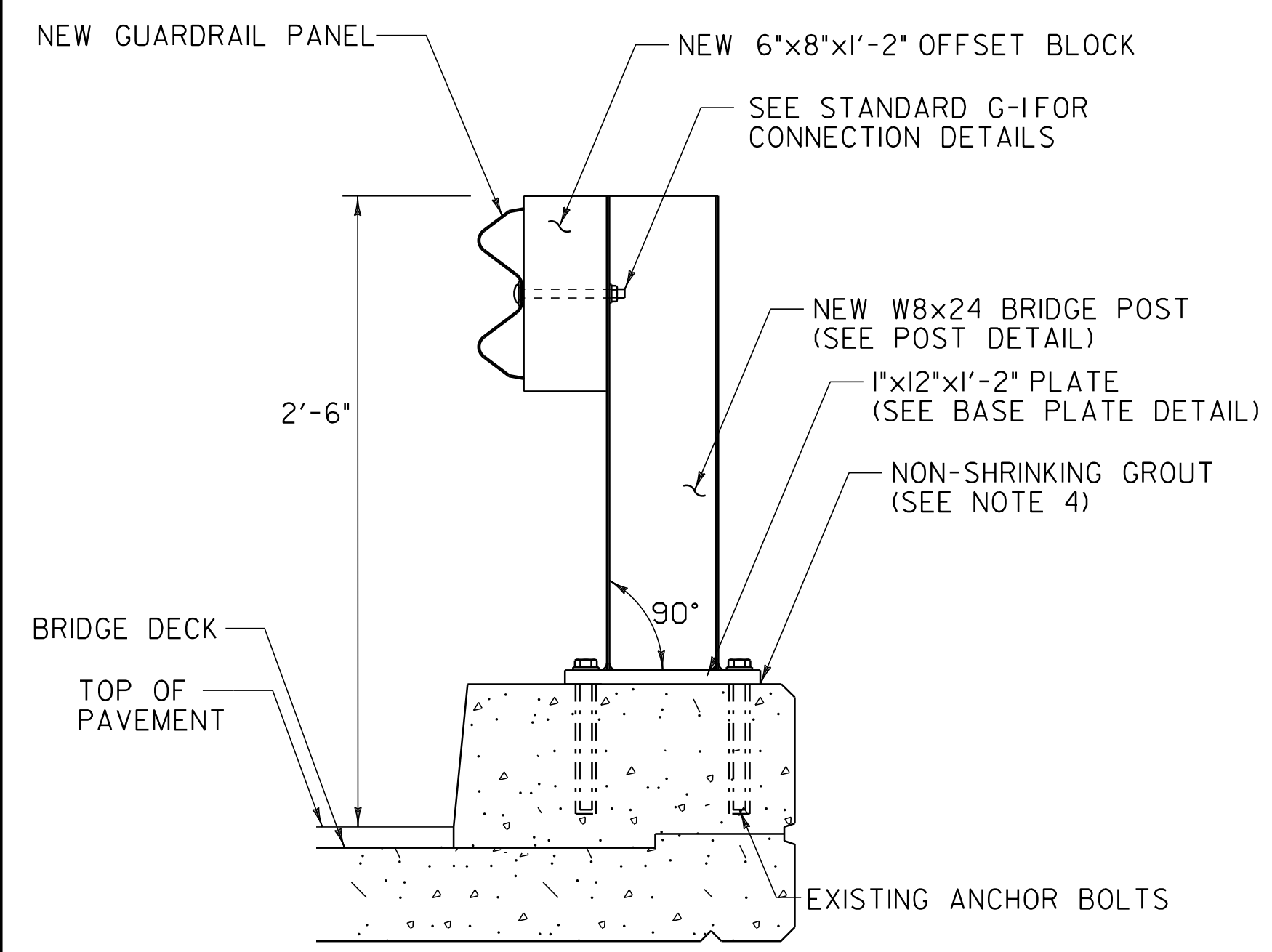
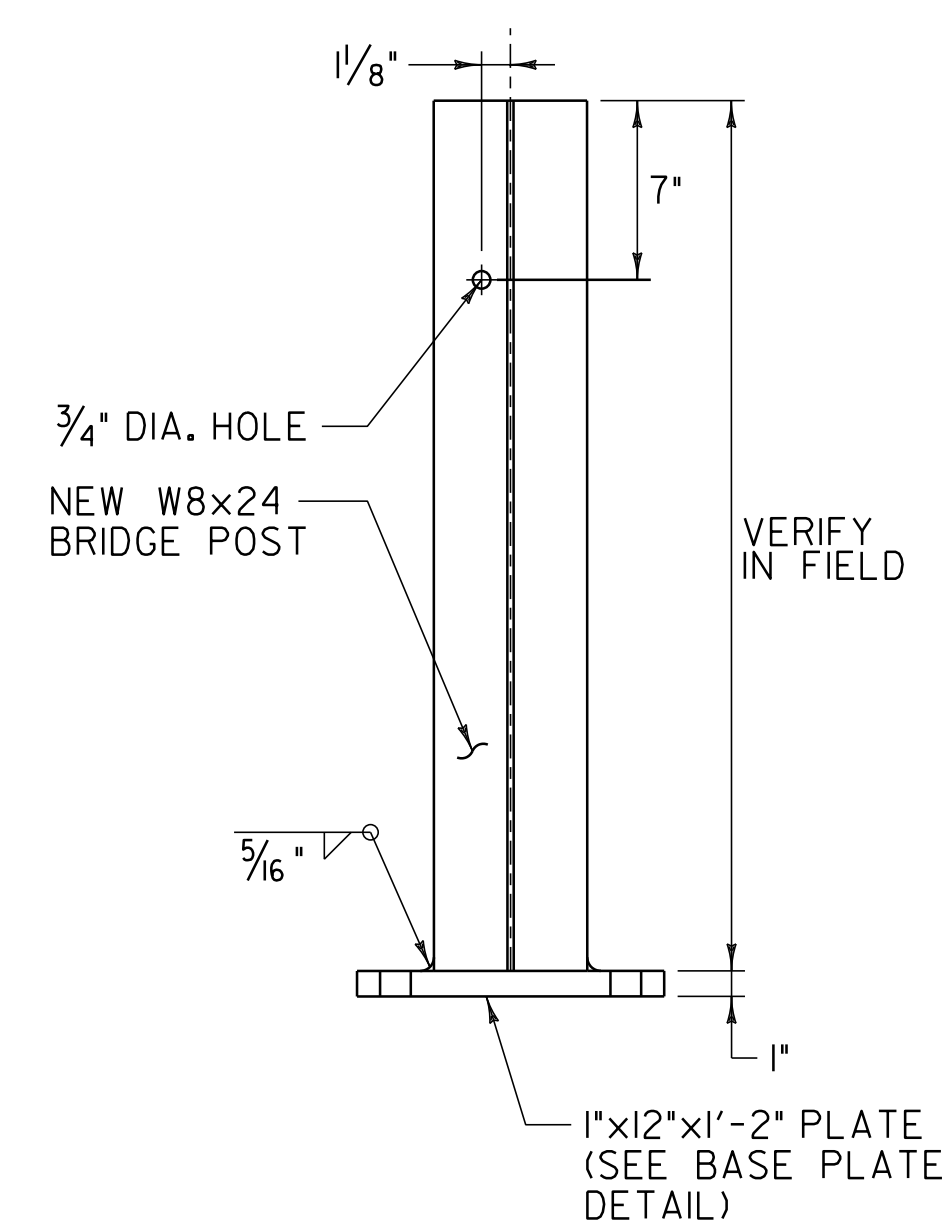


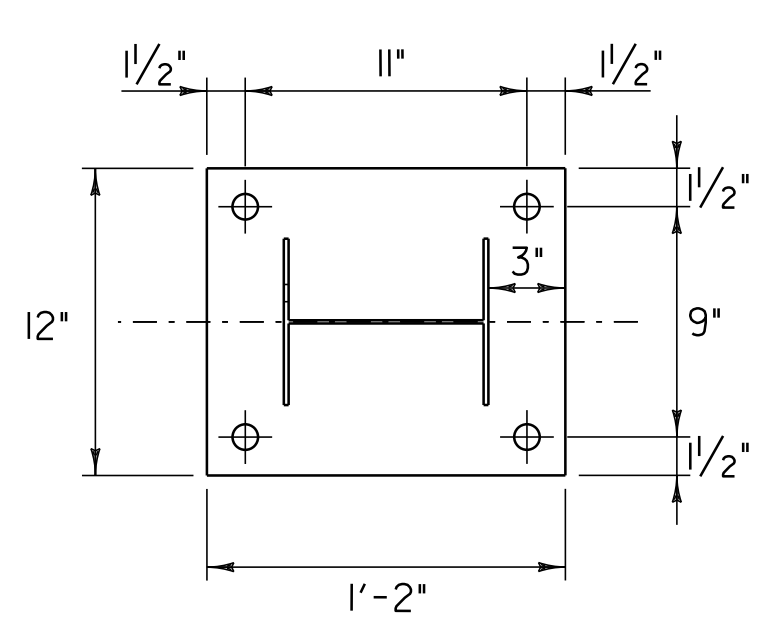
BR 28 BRIGHTON MM 6.808 = STA 359+46.24



BR 28 BRIDGE RAILING DETAIL



POST DETAIL



BASE PLATE DETAIL

NOTES:

1. LOCATION OF EXISTING ANCHOR BOLTS TO BE VERIFIED IN THE FIELD BY THE CONTRACTOR PRIOR TO ORDERING BRIDGE POSTS.
2. POSTS SHALL BE SHOP CUT AND DRILLED PRIOR TO GALVANIZING.
3. INSTALL FOUR NEW FASCIA MOUNTED STEEL BRIDGE POSTS ON EACH SIDE OF BRIDGE.
4. NON-SHRINKING GROUT SHALL CONFORM TO SUBSECTION 707.03 MORTAR TYPE IV OF THE STANDARD SPECIFICATIONS. PACK UNDER BASE PLATE. PAYMENT WILL BE INCIDENTAL TO ITEM 525.60 BRIDGE RAILING REPAIR, TYPE III.
5. SEE STANDARD SHEET SB-R6-82 FOR ADDITIONAL DETAILS.

NOT TO SCALE

BRIDGE DETAIL SHEET #3	PROJECT NAME: BRIGHTON - WARREN GORE	PLOT DATE: 31-OCT-2011 11:53
	PROJECT NUMBER: STP 2724(0)S	DRAWN BY: C.A.K.
	FILE NAME: p07c216.dgn	CHECKED BY: D.W.E.
	PROJECT LEADER: D.E.G.	SHEET 71 OF 107
	DESIGNED BY: M.J.L.	
	IPARM FILE: p07c216bd3.i	