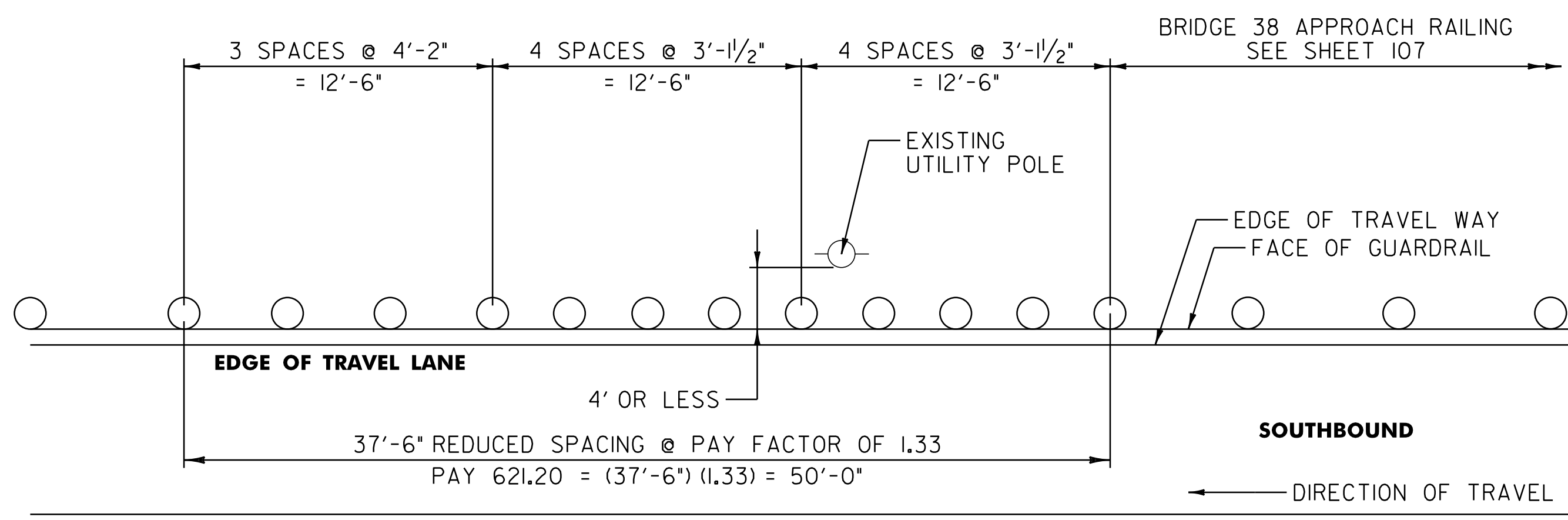


**FIRE HYDRANT PAVEMENT MARKING DETAIL**

VT. ROUTE 114 BRIGHTON: STA 259+85.0 LT  
 STA 265+77.0 LT  
 STA 272+12.0 LT  
 STA 279+07.0 LT

NOTE:

1. THE CONTRACTOR SHALL ADJUST THE PLACEMENT OF THE FIRE HYDRANT PAVEMENT MARKINGS TO MEET THE EXISTING SITE CONSTRAINTS AS DIRECTED BY THE RESIDENT ENGINEER.

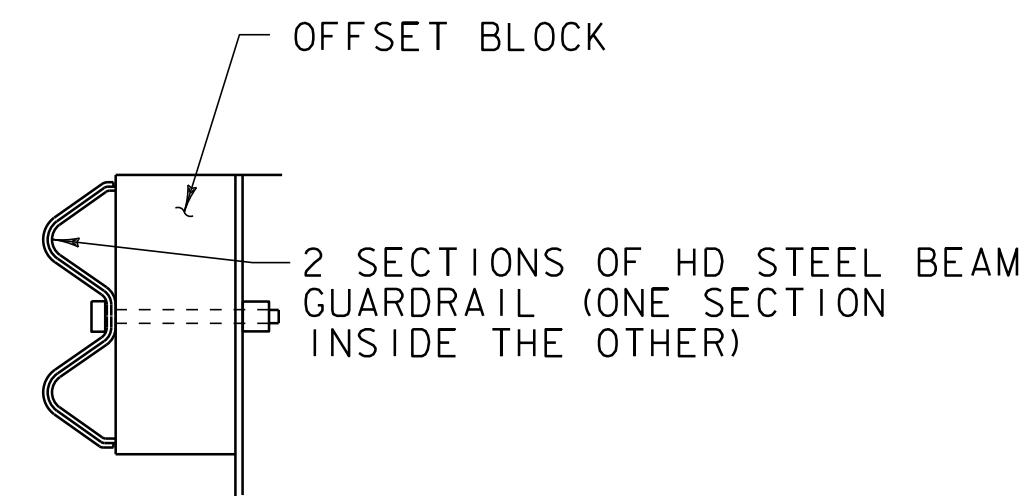


VT. ROUTE 114

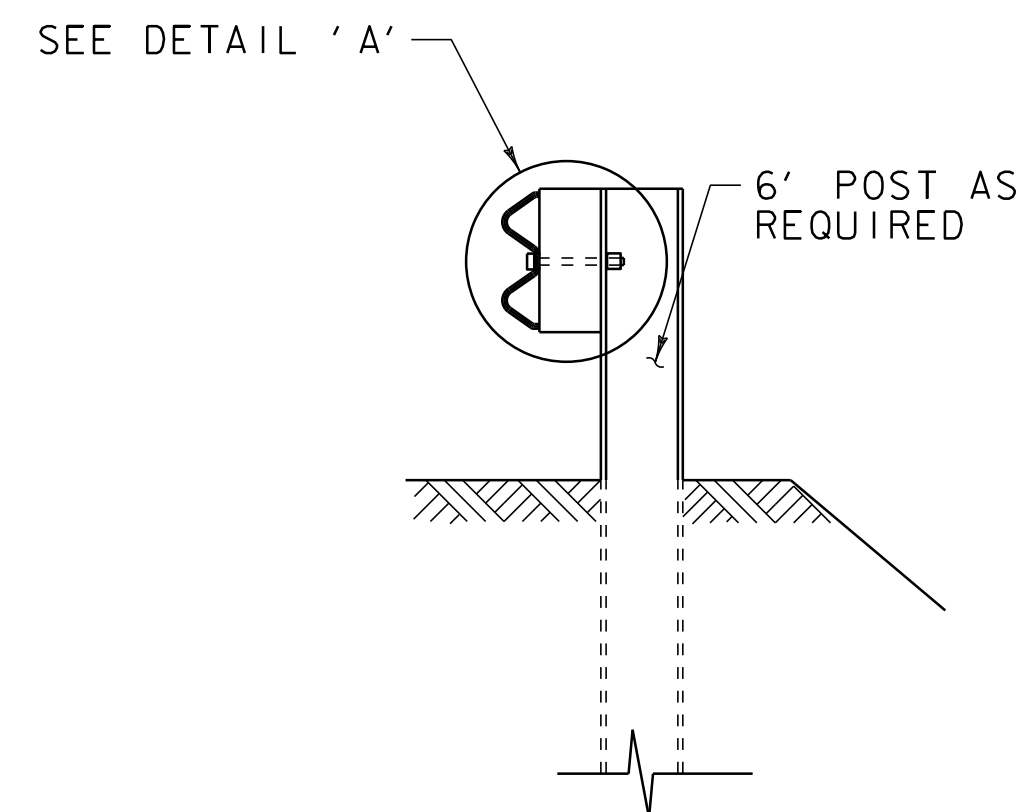
NORTHBOUND

**STEEL BEAM GUARDRAIL POST SPACING FOR UTILITY POLE WITHIN 4'-0" OF GUARDRAIL DETAIL**

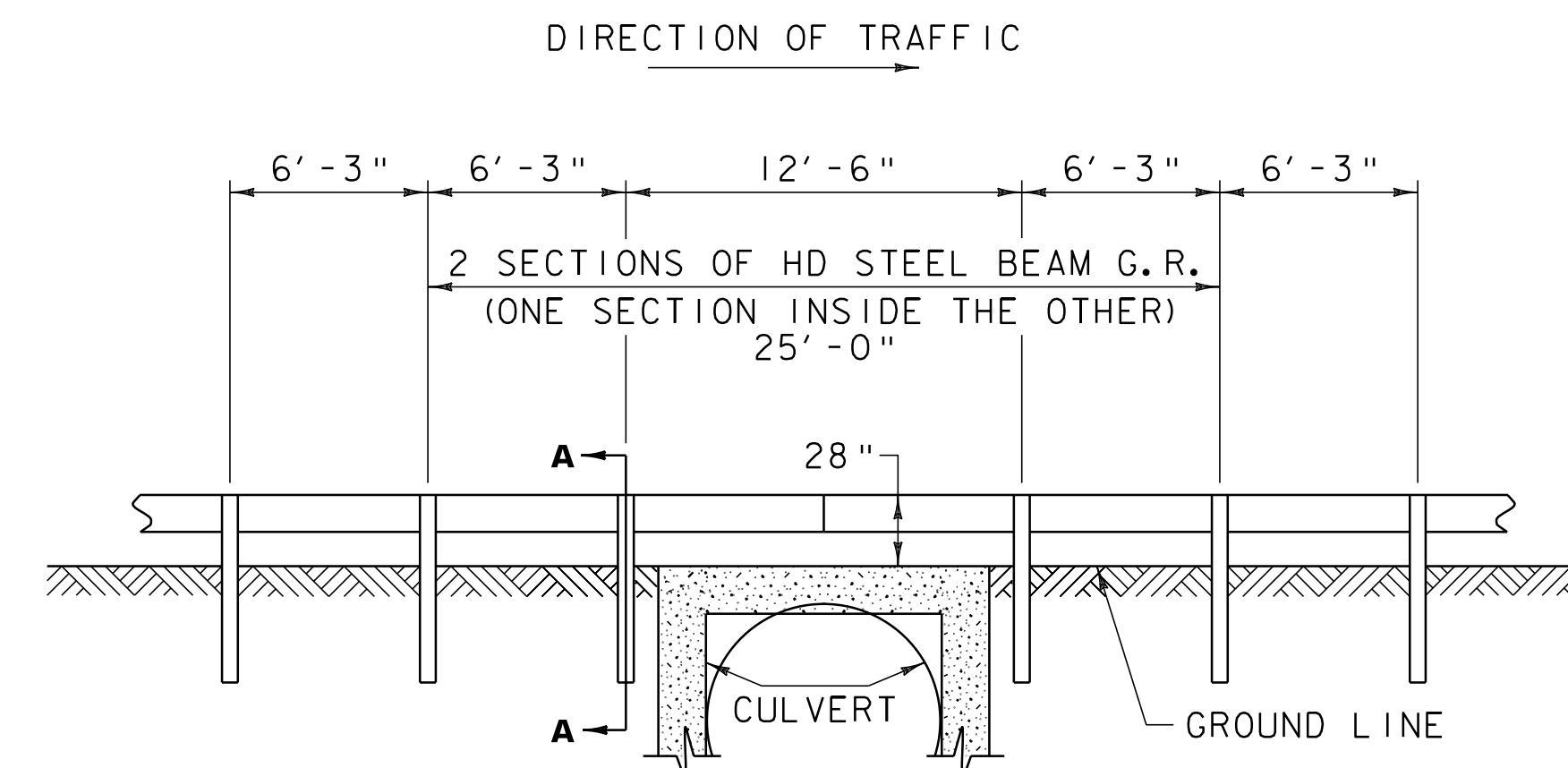
VT. ROUTE 114 NORTON STA 21+08.5 LT



**DETAIL A**



**SECTION A-A**



**STEEL BEAM GUARDRAIL AT SMALL CULVERT DETAIL**

VT. ROUTE 114 BR 29 BRIGHTON STA 374+61.5 TO STA 374+86.5 LT  
 VT. ROUTE 114 BR 29 BRIGHTON STA 374+61.5 TO STA 374+86.5 RT  
 VT. ROUTE 114 BR 37 WARREN GORE STA 217+62.5 TO STA 217+87.5 LT  
 VT. ROUTE 114 BR 37 WARREN GORE STA 217+62.5 TO STA 217+87.5 RT

**NOTES**

1. SEE STANDARD G-1 FOR STEEL BEAM GUARDRAIL DETAILS.
2. THIS WORK SHALL BE PAID UNDER ITEM 621.216 HD STEEL BEAM GUARDRAIL, GALVANIZED/NESTED AT A PAY FACTOR OF 1.0.
3. THIS DETAIL TO BE USED AS INDICATED ON THE ITEM DETAIL SUMMARY SHEET OR AS DIRECTED BY THE RESIDENT ENGINEER.

NOT TO SCALE

**MISCELLANEOUS DETAILS SHEET**

PROJECT NAME: BRIGHTON - WARREN GORE & WARREN GORE - NORTON  
 PROJECT NUMBER: STP 2724(0)S & STP 2725(0)S  
 FILE NAME: p07c216.dgn  
 PROJECT LEADER: D.E.G.  
 DESIGNED BY: M.J.L.  
 IPARM FILE: p07c216md.i  
 PLOT DATE: 31-OCT-2011:49  
 DRAWN BY: C.A.K.  
 CHECKED BY: D.W.E.  
 SHEET 9 OF 107