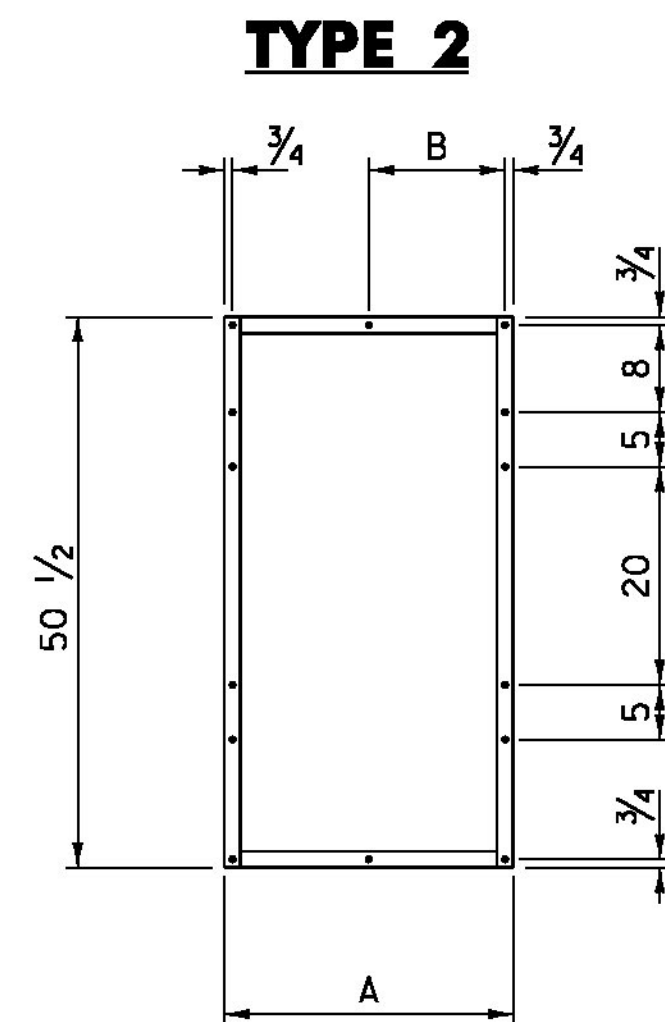
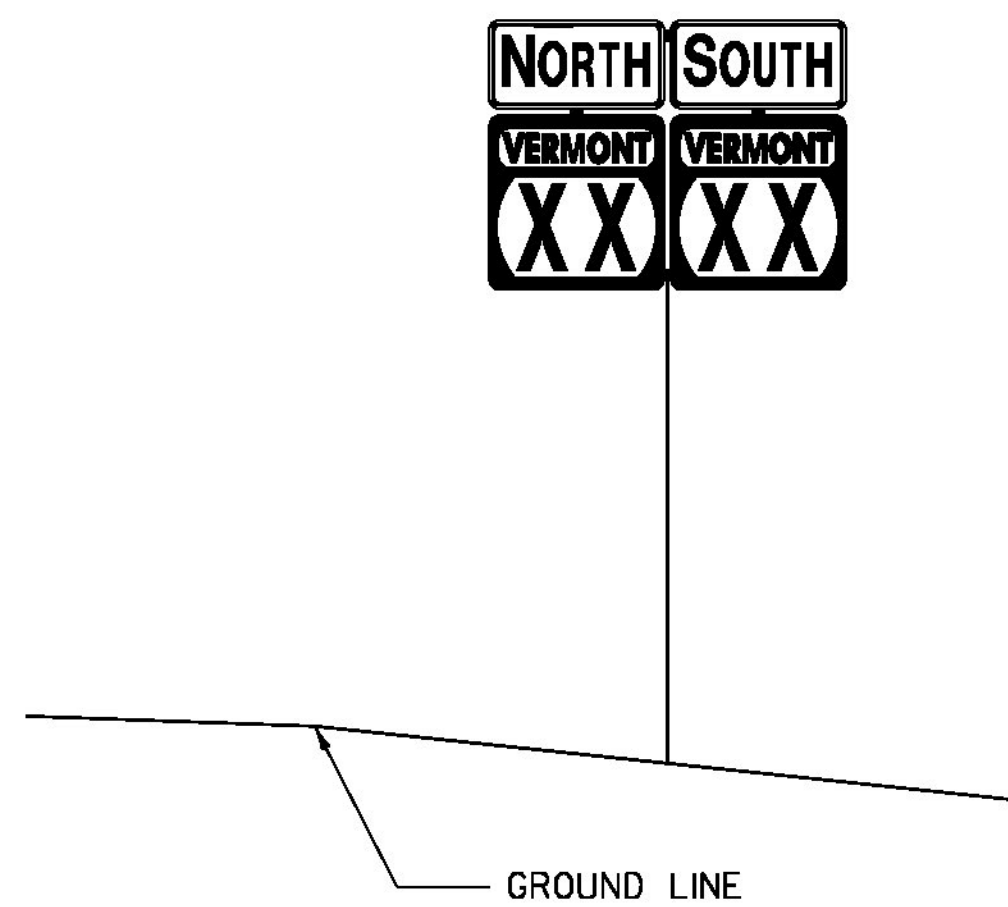
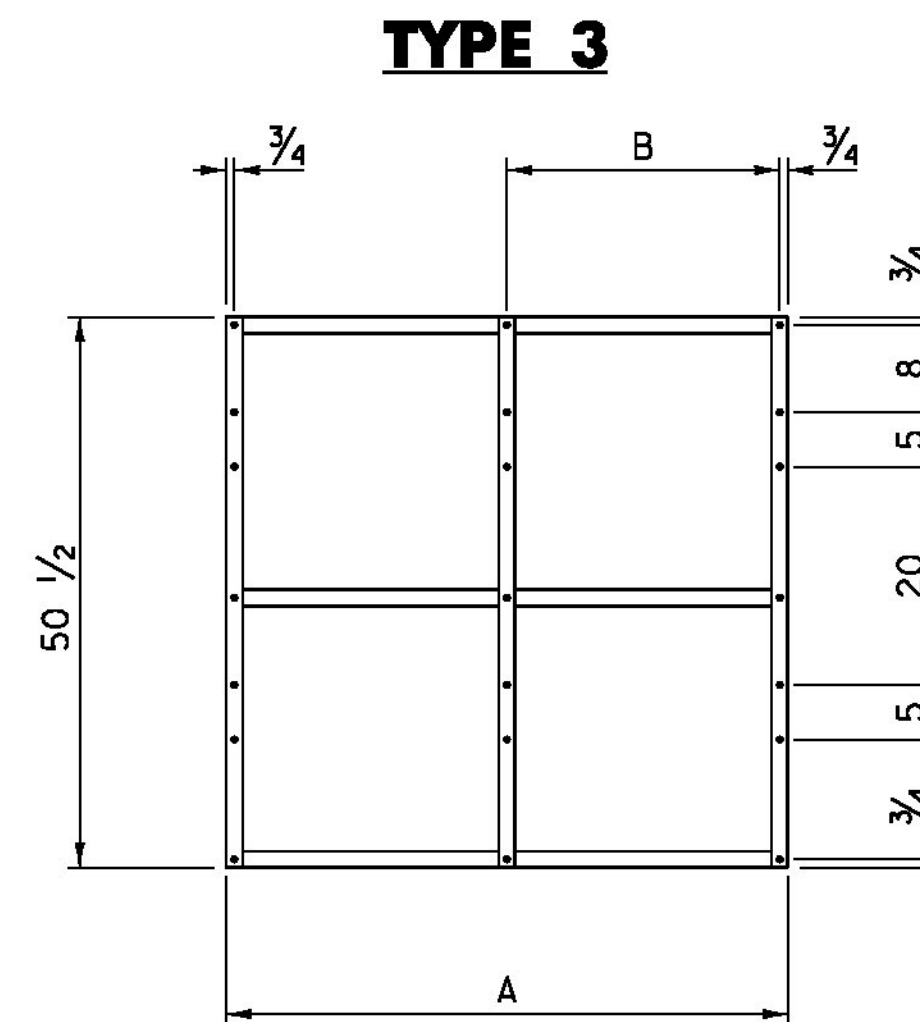
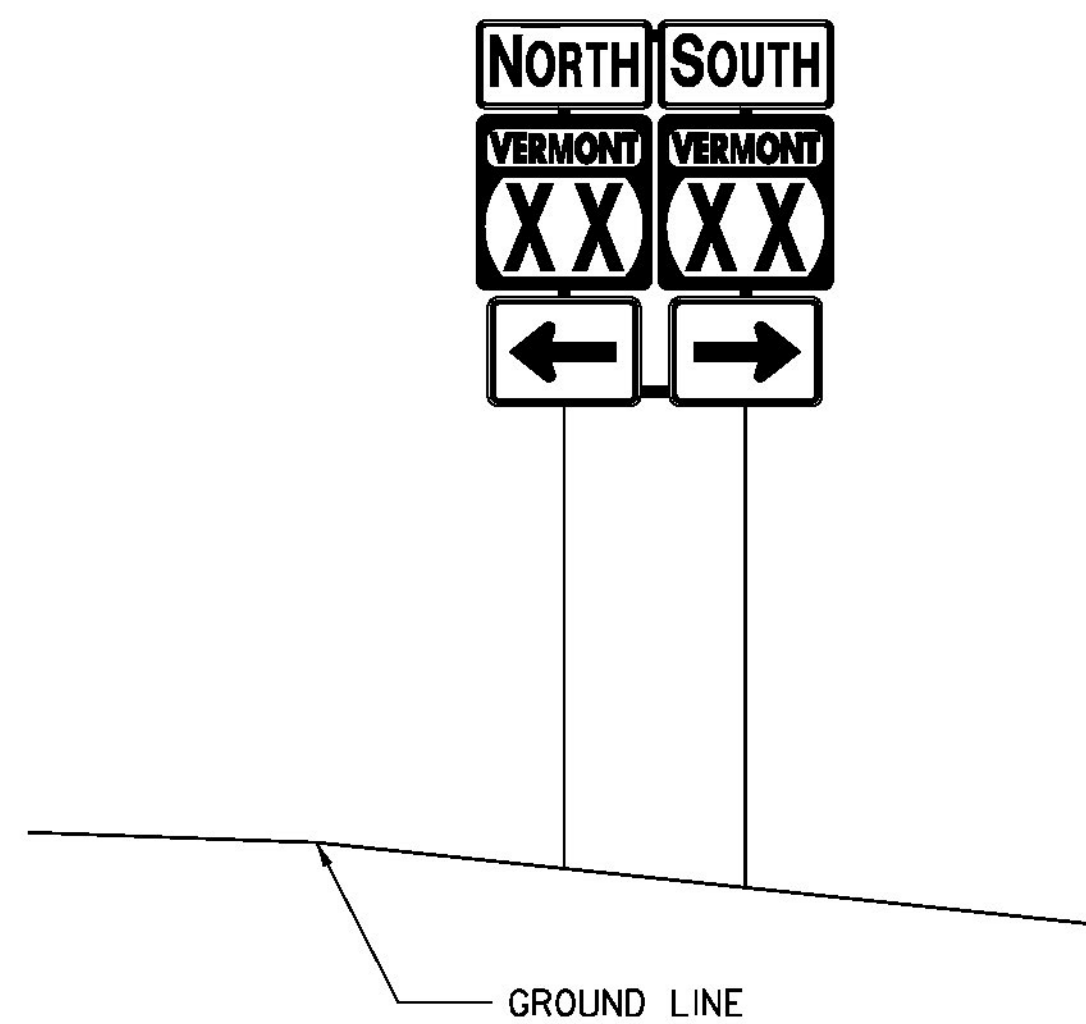


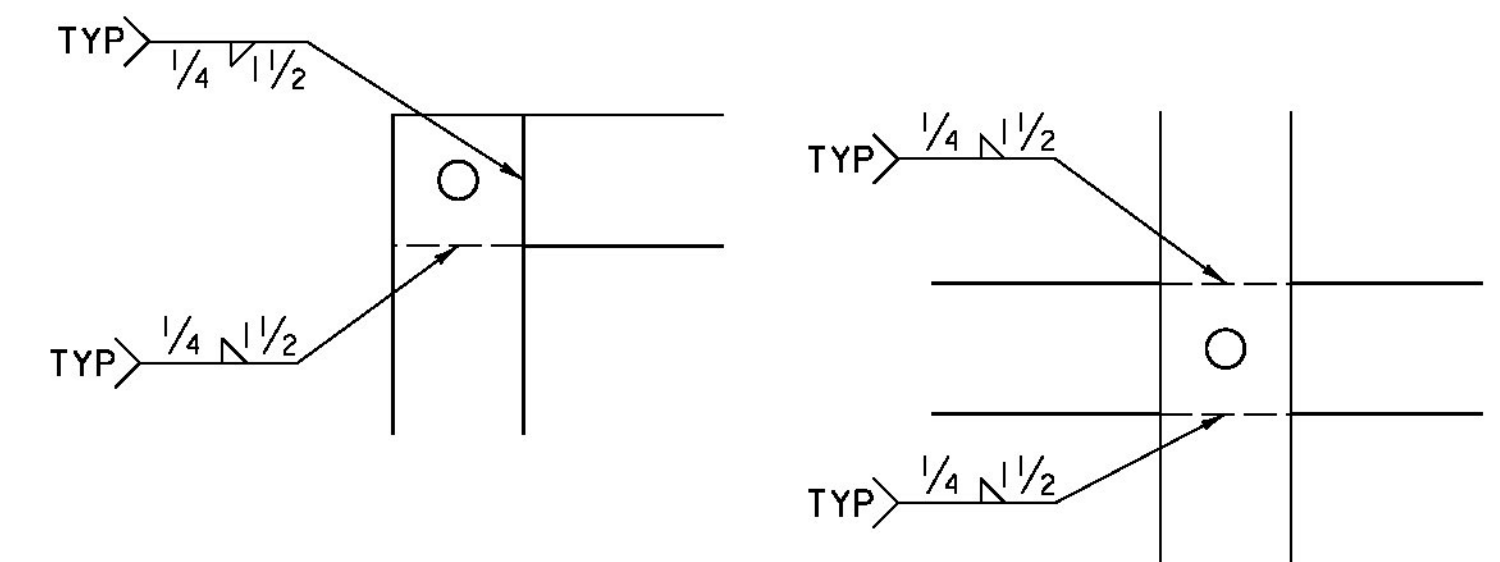
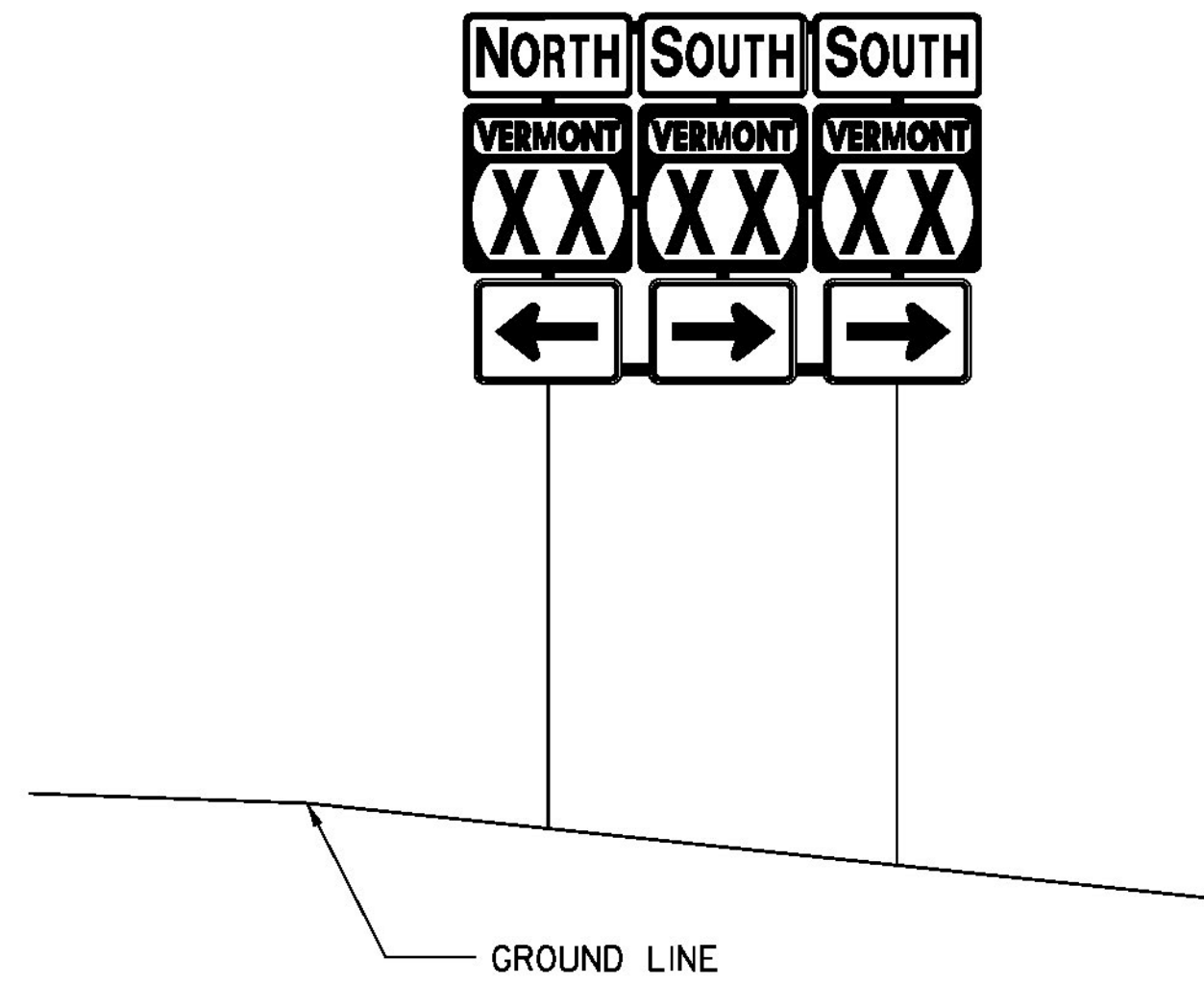
FRAME TYPE	A	B
1A	26 1/2	12 1/2
1B	29 1/2	15 1/2
1C	32 1/2	15 1/2



FRAME TYPE	A	B
2A	26 1/2	12 1/2
2B	29 1/2	15 1/2
2C	32 1/2	15 1/2



FRAME TYPE	A	B
3A	51 1/2	25
3B	54 1/2	28
3C	57 1/2	28
3D	63 1/2	31



NOTES:

TWO WELDS PER CONNECTION.

WELDING DETAILS

GENERAL NOTES:

- TYPE 1A FRAME ASSEMBLY TO BE USED WITH TWO 24 INCH WIDE SIGN COLUMNS.
- TYPE 1B FRAME ASSEMBLY TO BE USED WITH ONE 24 INCH WIDE SIGN COLUMN AND ONE 30 INCH WIDE SIGN COLUMN.
- TYPE 1C FRAME ASSEMBLY TO BE USED WITH TWO 30 INCH WIDE SIGN COLUMNS.
- TYPE 2A FRAME ASSEMBLY TO BE USED WITH TWO 24 INCH WIDE SIGN COLUMNS.
- TYPE 2B FRAME ASSEMBLY TO BE USED WITH ONE 24 INCH WIDE SIGN COLUMN AND ONE 30 INCH WIDE SIGN COLUMN.
- TYPE 2C FRAME ASSEMBLY TO BE USED WITH TWO 30 INCH WIDE SIGN COLUMNS.
- TYPE 3A FRAME ASSEMBLY TO BE USED WITH THREE 24 INCH WIDE SIGN COLUMNS.
- TYPE 3B FRAME ASSEMBLY TO BE USED WITH TWO 24 INCH WIDE SIGN COLUMNS AND ONE 30 INCH WIDE SIGN COLUMN, WITH THE 30 INCH SIGN COLUMN IN AN OUTSIDE POSITION.
- TYPE 3C FRAME ASSEMBLY TO BE USED WITH ONE 24 INCH WIDE SIGN COLUMN IN THE CENTER AND TWO 30 INCH SIGN COLUMNS ON THE OUTSIDE OR ONE 30 INCH SIGN COLUMN IN THE CENTER AND TWO 24 INCH SIGN COLUMNS ON THE OUTSIDE.
- TYPE 3D FRAME ASSEMBLY TO BE USED WITH THREE 30 INCH WIDE SIGN COLUMNS.
- STANDARD FRAMES SHALL BE CONSTRUCTED OF 5/16 INCH X 1 1/2 INCH A-36 STEEL. THE FRAME SHALL BE PAINTED WITH ONE COAT OF PRIMER AND A SECOND COAT OF BLACK PAINT. THE PAINT SHALL BE OF THE TYPE USED ON EXTERIOR METAL SURFACES TO PREVENT METAL CORROSION.
- ALL HOLES SHALL BE 7/16 INCH DIAMETER. POSITION OF DRILLED HOLES ON FRAMES BASED UPON MOUNTING HOLES ON SIGNS AT TWO INCHES FROM TOP AND BOTTOM EDGES. SIGN/FRAME ASSEMBLIES SHOULD EXHIBIT A ONE INCH SPACE BETWEEN SIGN PANELS.
- FOR SIGN COMBINATIONS OTHER THAN ABOVE, THE FRAME DIMENSIONS AND HOLE SPACING SHALL BE MODIFIED AS NECESSARY.
- SEE THE MANUAL ON UNIFORM TRAFFIC CONTROL DEVICES (MUTCD) SECTION 2D.29 FOR INSTALLATION SEQUENCE.

ROUTE MARKER ASSEMBLY FRAMES

ALL DIMENSIONS SHOWN IN INCHES, UNLESS OTHERWISE NOTED.

PROJECT NAME:	LEMINGTON-CANAAN
PROJECT NUMBER:	STP 2723(I)
FILE NAME: z07c2i4tsde+.dgn	PLOT DATE: 2/28/2015
PROJECT LEADER: P. SHEDD	DRAWN BY: W. GORDON
DESIGNED BY: N. LEMAY	CHECKED BY: P. SHEDD
TRAFFIC SIGN DETAIL SHEET 4	SHEET 160 OF 162

NOT TO SCALE