

TEMPORARY 4 INCH WHITE LINE, PAINT
 DURABLE 4 INCH WHITE LINE (OPTION BID ITEM)
 121+50 TO 127+50 SOLID LT & RT

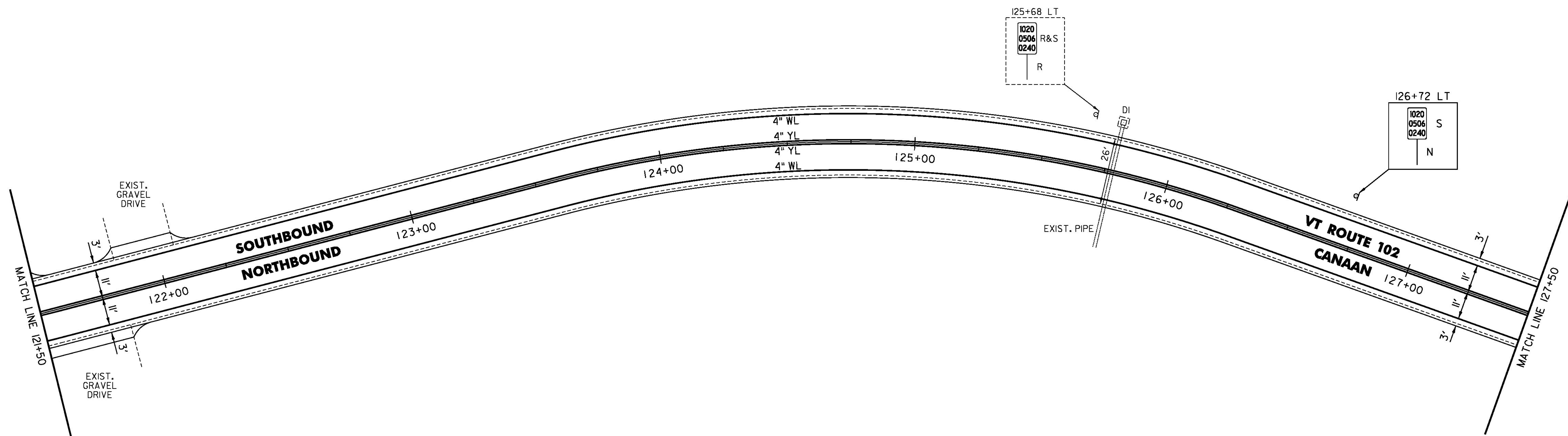
TEMPORARY 4 INCH YELLOW LINE, PAINT
 DURABLE 4 INCH YELLOW LINE (OPTION BID ITEM)
 121+50 TO 127+50 SOLID LT & RT

ERECTING SALVAGED SIGNS

1 - AS SHOWN

REMOVING SIGNS

1 - AS SHOWN



NOT TO SCALE

PROJECT NAME:	LEMINGTON-CANAAN
PROJECT NUMBER:	STP 2723(I)
FILE NAME:	z07c214bdr.dgn
PROJECT LEADER:	P. SHEDD
DESIGNED BY:	N. LEMAY
VT 102 PLAN SHEET 54	
PLOT DATE:	2/28/2015
DRAWN BY:	W. GORDON
CHECKED BY:	P. SHEDD
SHEET	77 OF 162

CLD 14-0197