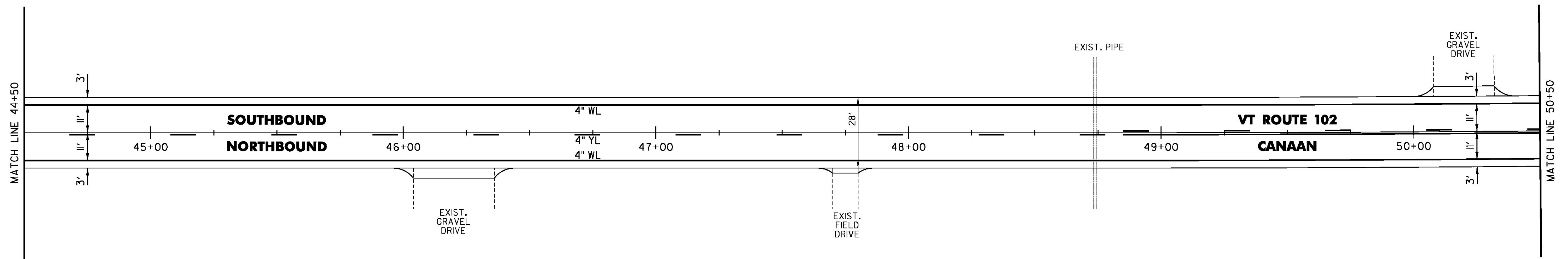


TEMPORARY 4 INCH WHITE LINE, PAINT
 DURABLE 4 INCH WHITE LINE (OPTION BID ITEM)
 44+50 TO 50+50 SOLID LT & RT

TEMPORARY 4 INCH YELLOW LINE, PAINT
 DURABLE 4 INCH YELLOW LINE (OPTION BID ITEM)
 44+50 TO 48+85 DASHED CL
 48+85 TO 50+50 DASHED LT, SOLID RT



CLD 14-097

NOT TO SCALE

PROJECT NAME:	LEMINGTON-CANAAN
PROJECT NUMBER:	STP 2723(I)
FILE NAME:	z07c214bdr.dgn
PROJECT LEADER:	P. SHEDD
DESIGNED BY:	N. LEMAY
VT 102 PLAN SHEET 41	
PLOT DATE:	2/28/2015
DRAWN BY:	W. GORDON
CHECKED BY:	P. SHEDD
SHEET	64 OF 162