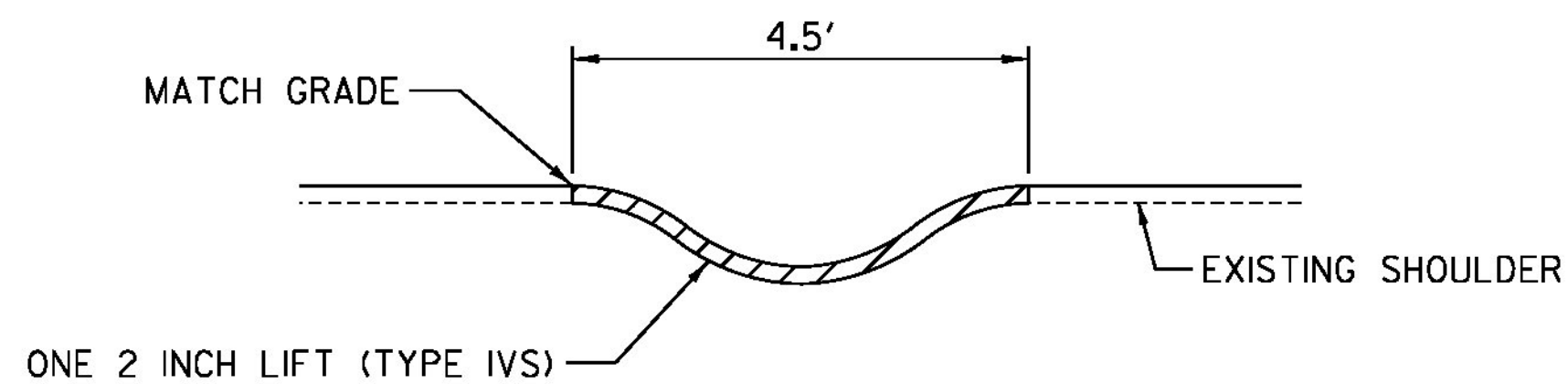


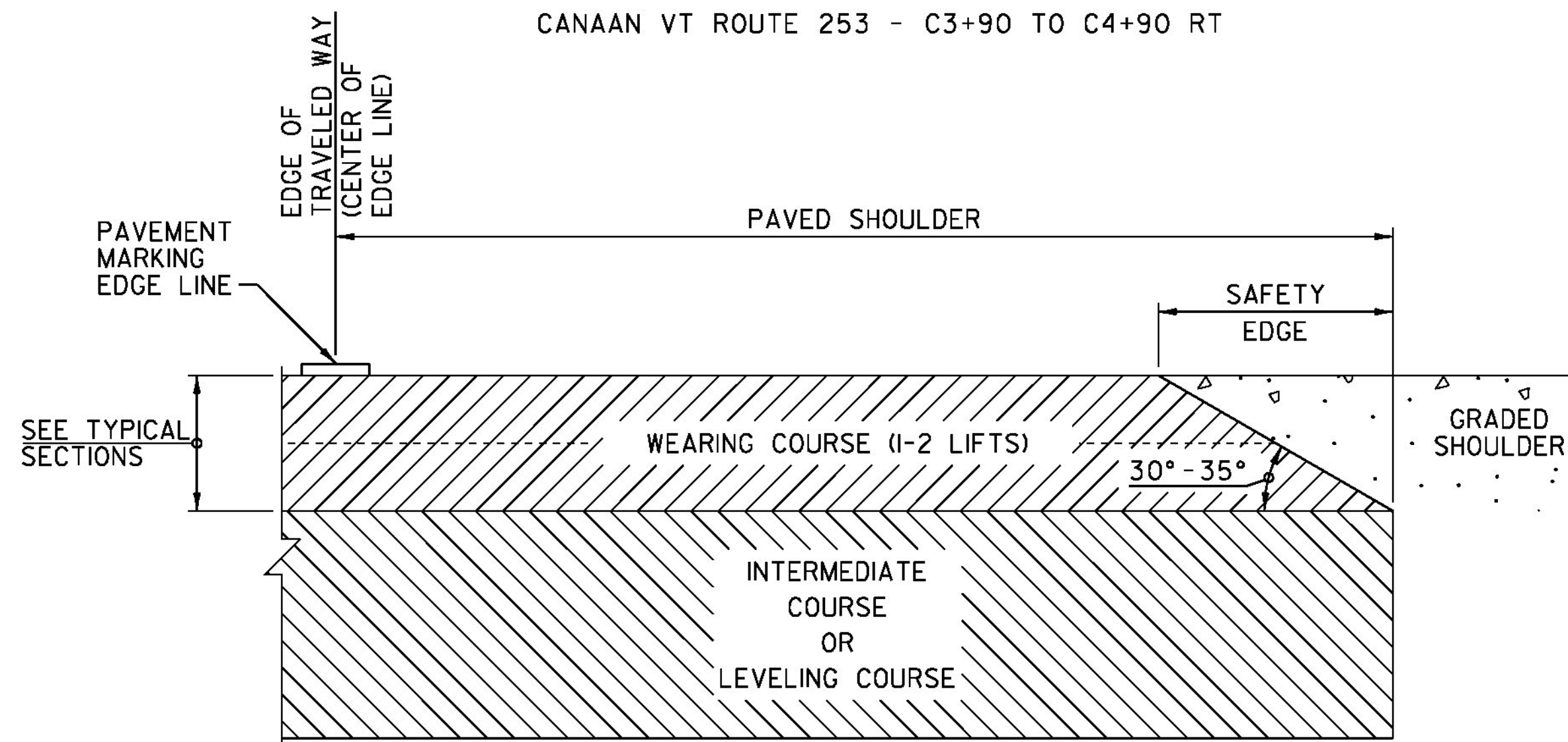
**SHOULDER STABILIZATION DETAIL**

CANAAN VT ROUTE 253 - C40+60 TO C42+25 RT  
 C53+60 TO C55+85 RT  
 C66+00 TO C68+40 RT  
 C79+75 TO C82+10 RT  
 C86+90 TO C88+10 RT



**BITUMINOUS CONCRETE GUTTERS AND TRAFFIC ISLANDS**

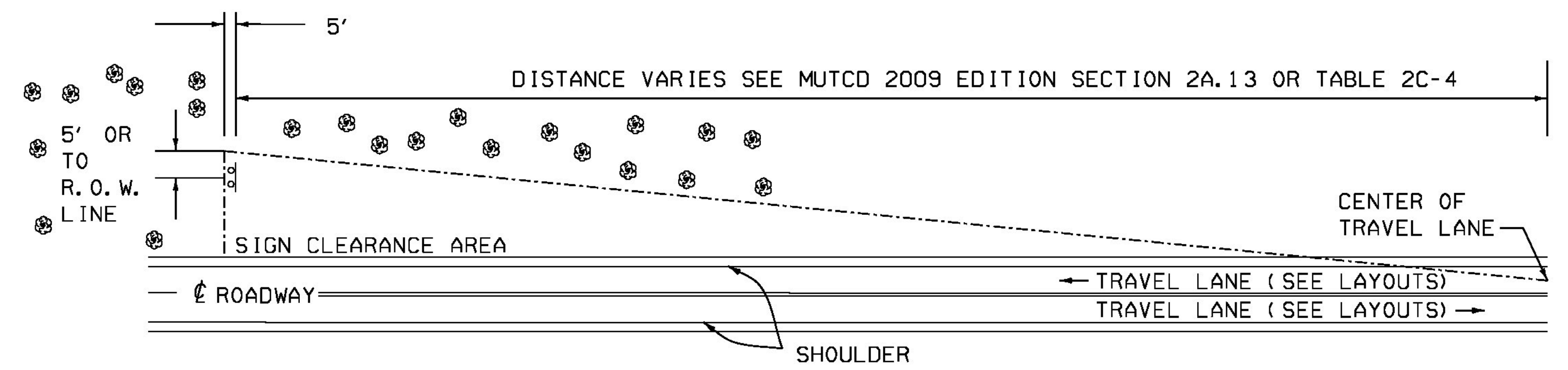
CANAAN VT ROUTE 253 - C3+90 TO C4+90 RT



**SAFETY EDGE DETAIL**

**SAFETY EDGE NOTES**

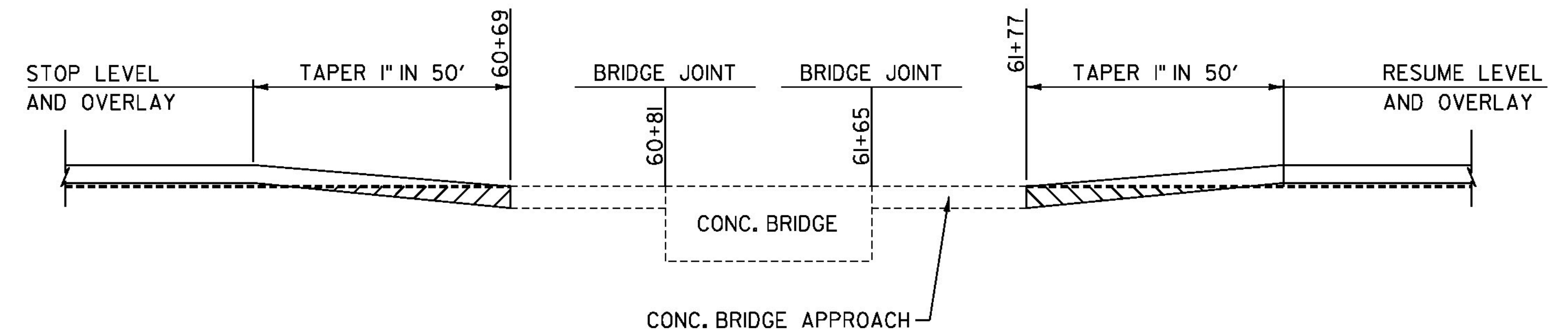
1. LEVELING COURSE MAY INCLUDE THE "SAFETY EDGE" AT THE CONTRACTOR'S CHOICE.
2. THE EDGE OF PAVEMENT SHALL BE FORMED IN SUCH A WAY THAT THE BITUMINOUS CONCRETE PAVEMENT IS EXTRUDED OR COMPRESSED TO FORM THE 30 TO 35 DEGREE ANGLE. DEVICES THAT SIMPLY STRIKE-OFF THE MIX WITHOUT PROVIDING ANY COMPACTIVE EFFORT WILL NOT BE ALLOWED.
3. THE PAVED SHOULDER EXTENDS FROM THE EDGE OF TRAVELED WAY TO THE EDGE OF THE WEARING COURSE, INCLUDES THE "SAFETY EDGE".



THINNING AND TRIMMING MAY BE REQUIRED AT SIGN LOCATIONS AS NOTED BELOW OR AS DIRECTED BY THE ENGINEER. THE CONTRACTOR SHALL REMOVE ALL WOODY STEMMED GROWTH INCLUDING BRUSH, SAPLINGS AND TREE LIMBS GROWING WITHIN OR PROJECTING INTO THE CLEARANCE AREA AND DOWN TO GROUND LEVEL. PAYMENT WILL BE MADE UNDER ITEM 201.31, THINNING AND TRIMMING FOR SIGNS. NO CHEMICALS (POISONS OR DEFOLIANTS) WILL BE ALLOWED.

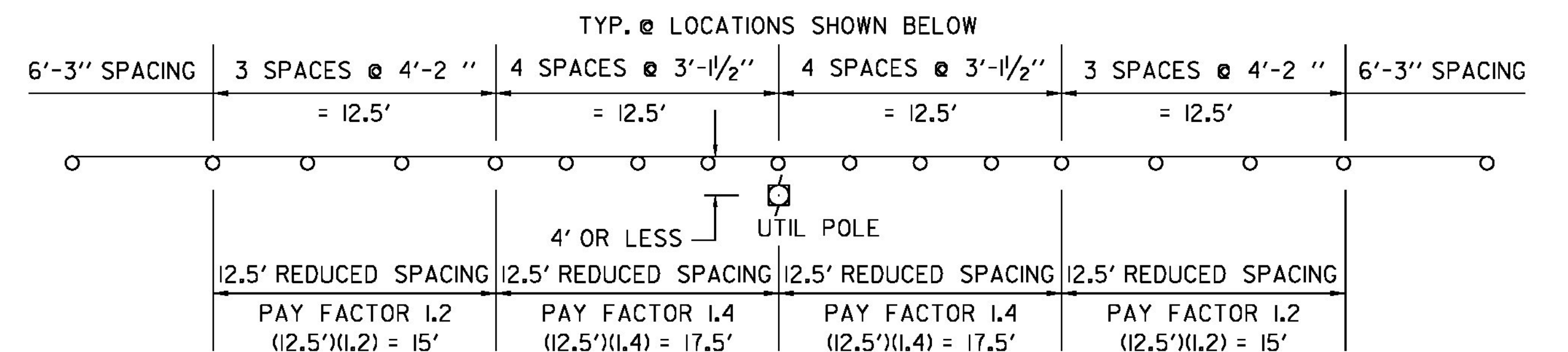
**THINNING AND TRIMMING DETAIL**

LOCATION  
 VT ROUTE 102 - L326+75 LT  
 L332+98 LT  
 221+57 LT



**BRIDGE APPROACH STOP /RESUME PAVING DETAIL**

BRIDGE 16



**NON-YIELDING OBJECT DETAIL**

OBJECTS WITHIN 4.0 FT OF GUARDRAIL  
 VT ROUTE 102 - 116+08 RT

NOT TO SCALE

PROJECT NAME:	LEMINGTON-CANAAN
PROJECT NUMBER:	STP 2723(1)
FILE NAME: z07c214frrm.dgn	PLOT DATE: 2/28/2015
PROJECT LEADER: P. SHEDD	DRAWN BY: W. GORDON
DESIGNED BY: N. LEMAY	CHECKED BY: P. SHEDD
DETAIL SHEET 1	SHEET 9 OF 162