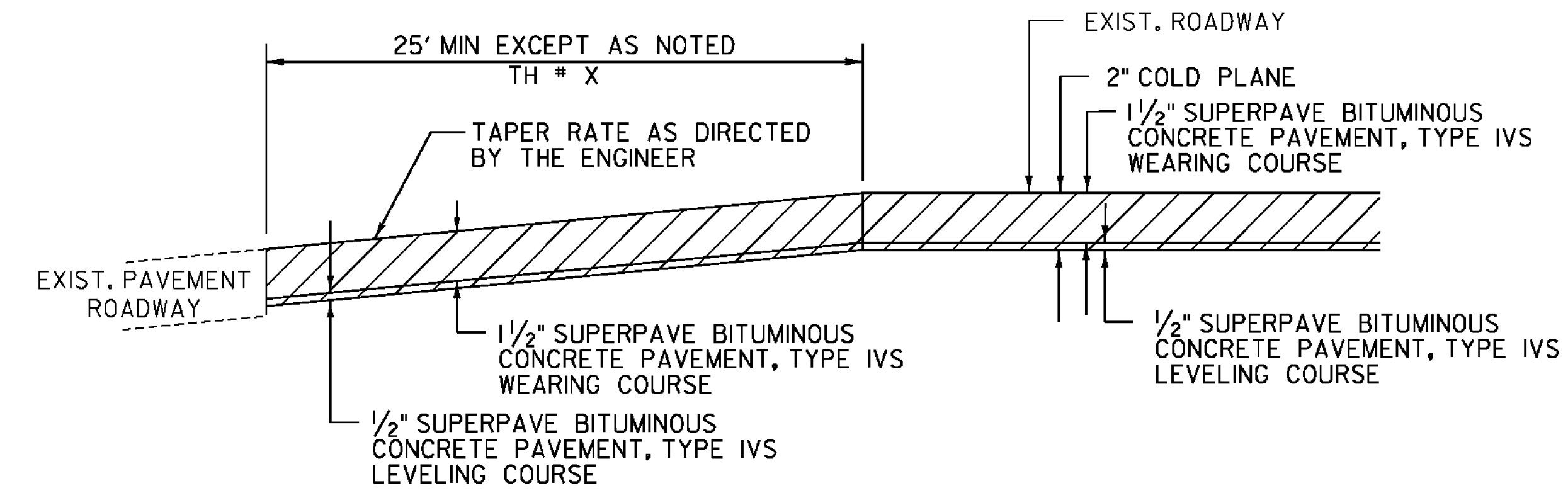


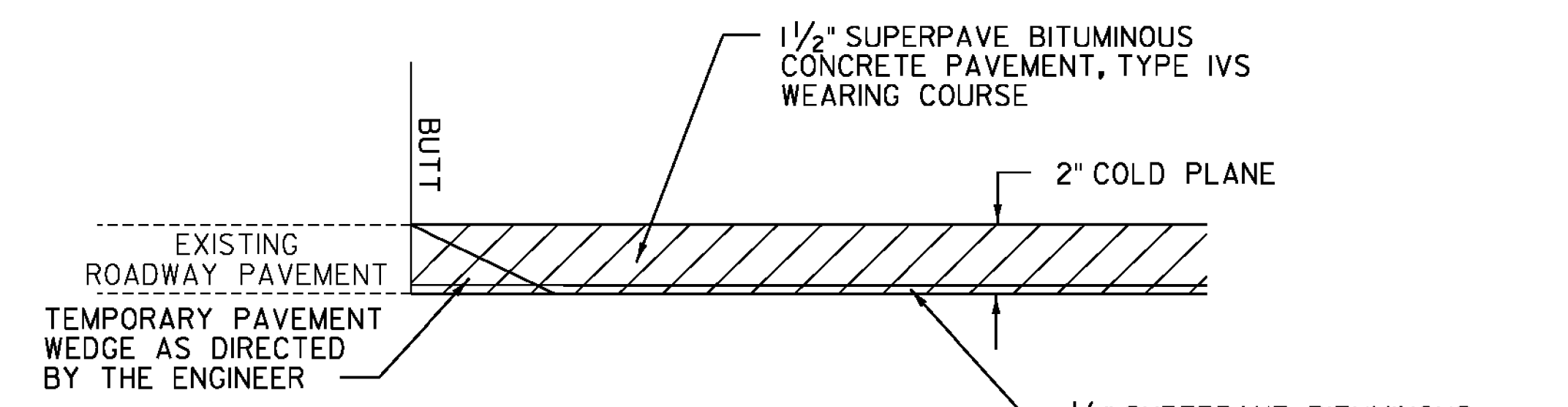
**APPROACH AREA DETAIL FOR PAVED TOWN HIGHWAYS IN LEVEL AND OVERLAY AREAS**

- LEMINGTON VT ROUTE 102 - VT 26 - L332+37
- CANAAN VT ROUTE 102 - TH 20 - 73+03 (TODD HILL RD)
- TH 17 - 291+34 (KEMP HILL RD)
- TH 15 - 303+75 (CANAAN HILL RD)
- TH 32 - 339+79 (TREATMENT PLANT RD)
- TH 22 - 356+44 (SCHOOL ST)
- TH 24 - 356+78 (PARK ST)
- CANAAN VT ROUTE 253 - TH 26 - C21+90 (HOLMES ST)
- TH 37 - C26+29 (GREEN HILL RD)
- TH 11 - C31+38 (POWERHOUSE RD)



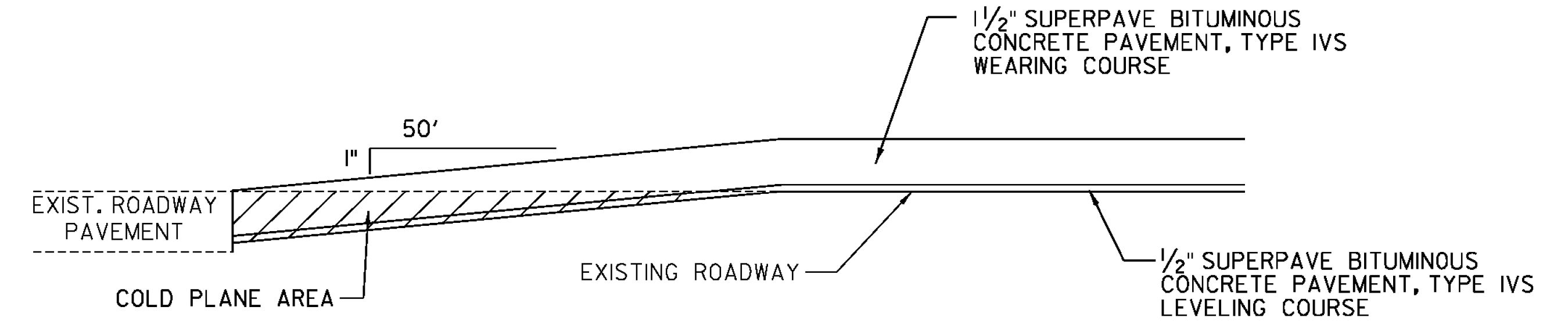
**APPROACH AREA DETAIL FOR PAVED TOWN HIGHWAYS IN COLD PLANE AND OVERLAY AREAS**

- CANAAN VT ROUTE 114 - TH 34 - 420+98 (ETHAN ALLEN DR)
- TH 24 - 430+40 (PARK ST)
- TH 11 - 435+54 (SCHOOL ST)
- CANAAN VT ROUTE 253 - TH 23 - 439+79 (POWERHOUSE RD)
- TH 23 - C6+95 (KINGSLEY RD)
- TH 38 - C15+07 (RESERVOIR RD)
- TH 10 - C95+03 (RIVER RD)
- TH 1 - C95+03 (RIVER RD)
- TH 25 - C99+71 (EAST ST)



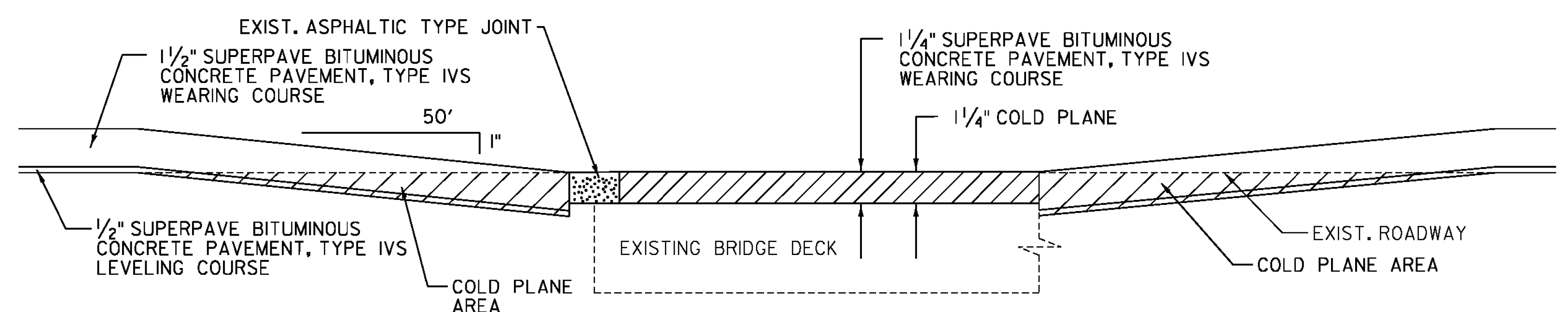
**APPROACH AREA DETAIL - MAINLINE IN COLD PLANE AREAS**

- LEMINGTON VT ROUTE 102 - L332+37 (VT ROUTE 26 AT BRIDGE)
- CANAAN VT ROUTE 102 - 359+77
- CANAAN VT ROUTE 114 - 409+25
- 440+30
- CANAAN VT ROUTE 253 - C0+08
- C113+68



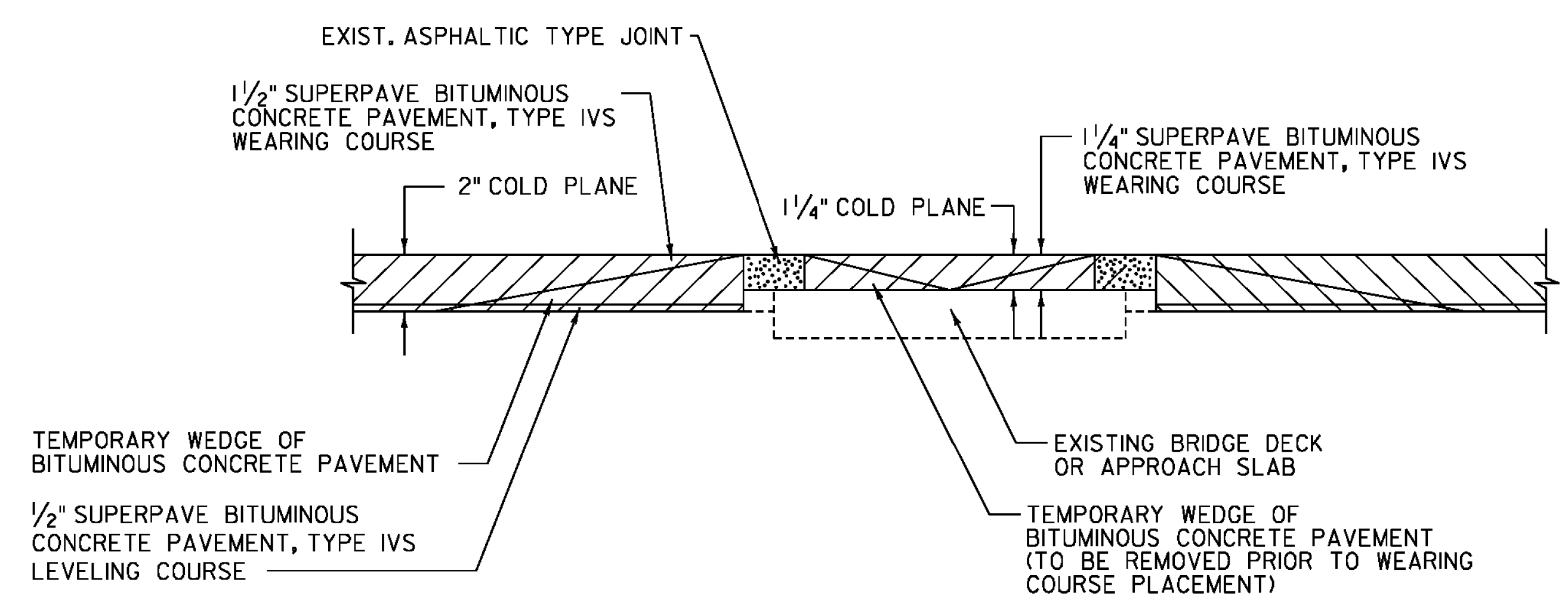
**APPROACH AREA DETAIL - MAINLINE IN LEVEL AND OVERLAY AREAS**

- LEMINGTON VT ROUTE 102 - L193+31 TO L194+31
- 355+95 TO 356+95
- CANAAN VT ROUTE 253 - C15+30 TO C16+30
- C90+86 TO C91+86



**BRIDGE APPROACH DETAIL IN LEVEL AND OVERLAY AREAS**

- PLUG-TYPE JOINT
- CANAAN VT ROUTE 102
- BRIDGE 18 - 292+81 TO 293+81
- BRIDGE 19 - 336+43 TO 337+43
- 339+20 TO 340+20
- ~~NO PLUG-TYPE JOINT~~ ADDED PLUG JOINT
- CANAAN VT ROUTE 102
- BRIDGE 18 - 294+25 TO 295+25



**BRIDGE APPROACH DETAIL IN COLD PLANE AREAS**

- CANAAN VT ROUTE 114
- BRIDGE 52 - 410+42 TO 411+56

PROJECT NAME:	LEMINGTON-CANAAN	PLOT DATE:	2/28/2015
PROJECT NUMBER:	STP 2723(I)	DRAWN BY:	W. GORDON
FILE NAME:	z07c214frm.dgn	DESIGNED BY:	N. LEMAY
PROJECT LEADER:	P. SHEDD	CHECKED BY:	P. SHEDD
TYPICAL SECTIONS SHEET		SHEET	8 OF 162

NOT TO SCALE

CLD 14-0197