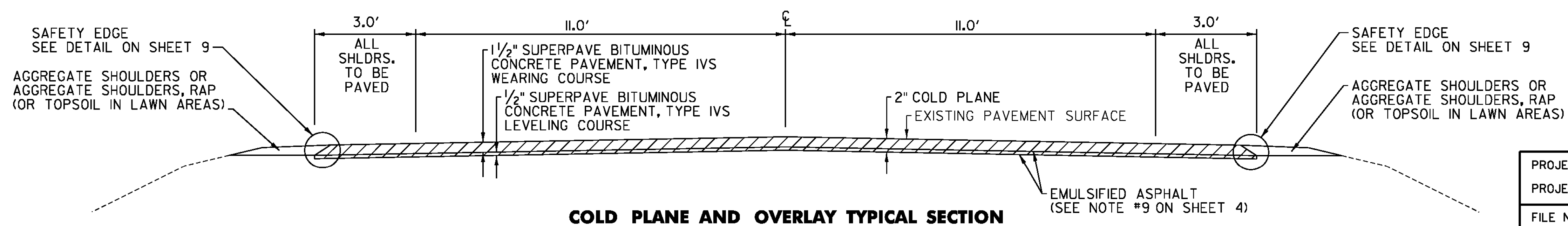
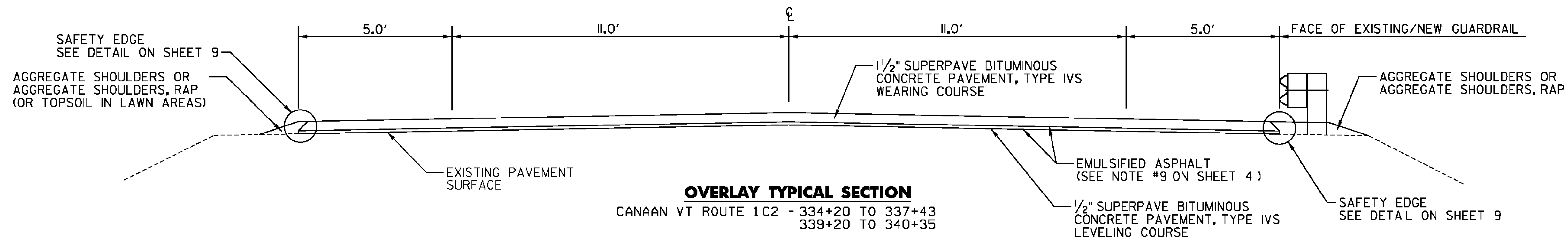
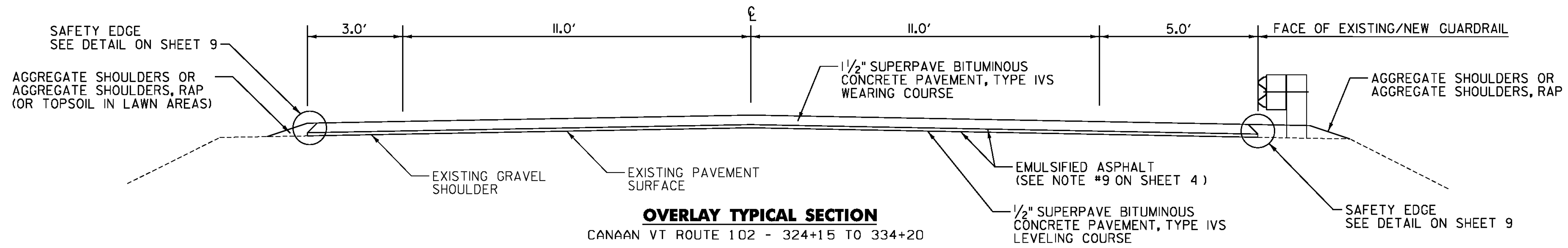
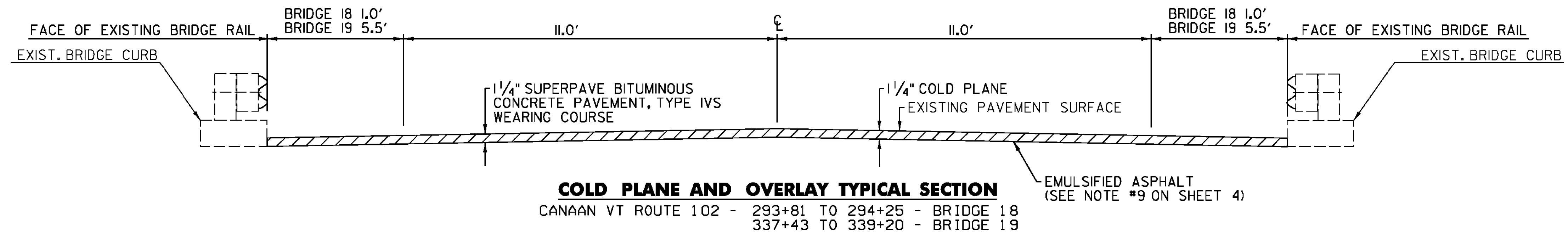


DUE TO SHIM OVERRUN WEAR COARSE  
 ON ALL THREE ROUTES WAS CUT BACK  
 TO 1/4" AS PER TO PROJECT MANAGER



NOT TO SCALE

PROJECT NAME:	LEMINGTON-CANAAN	PLOT DATE:	2/28/2015
PROJECT NUMBER:	STP 2723(1)	DRAWN BY:	W. GORDON
FILE NAME:	z07c214frm.dgn	DESIGNED BY:	N. LEMAY
		CHECKED BY:	P. SHEDD
		TYPICAL SECTIONS VT 102	SHEET 5 OF 162

CLD 14-0197