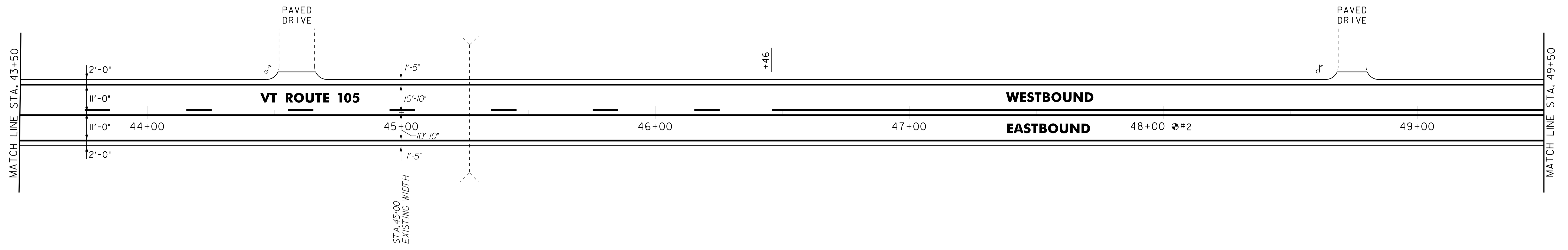


646.402 DURABLE 4 INCH WHITE LINE, THERMOPLASTIC
 STA. 43+50 TO 49+50, SOLID LT & RT

646.602 TEMPORARY 4 INCH WHITE LINE, PAINT
 STA. 43+50 TO 49+50, SOLID LT & RT

646.412 DURABLE 4 INCH YELLOW LINE, THERMOPLASTIC
 STA. 43+50 TO 46+46, DASHED LT, SOLID RT
 STA. 46+46 TO 49+50, SOLID LT & RT

646.612 TEMPORARY 4 INCH YELLOW LINE, PAINT
 STA. 43+50 TO 46+46, DASHED LT, SOLID RT
 STA. 46+46 TO 49+50, SOLID LT & RT



PAVEMENT CORES = ④

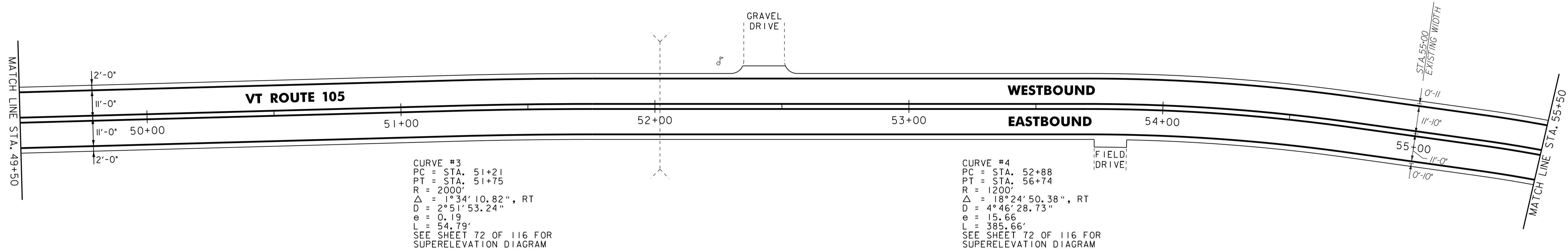
* TOTAL DEPTH (INCH)	PCC	COMMENTS
2 11/2"	NO	RECENTLY LEVELED

646.402 DURABLE 4 INCH WHITE LINE, THERMOPLASTIC
 STA. 49+50 TO 55+50, SOLID LT & RT

646.602 TEMPORARY 4 INCH WHITE LINE, PAINT
 STA. 49+50 TO 55+50, SOLID LT & RT

646.412 DURABLE 4 INCH YELLOW LINE, THERMOPLASTIC
 STA. 49+50 TO 55+50, SOLID LT & RT

646.612 TEMPORARY 4 INCH YELLOW LINE, PAINT
 STA. 49+50 TO 55+50, SOLID LT & RT



- NOTES:
1. ALL EXISTING SIGNS NOT SHOWN SHALL BE RETAINED.
 2. FOR LEGENDS, SEE LAYOUT SHEET #1



PROJECT LAYOUT SHEET #6

PROJECT NAME: TROY	PLOT DATE: 25-OCT-2011 14:01
PROJECT NUMBER: STP 2717(1)	DRAWN BY: STANTEC
FILE NAME: p07b198.dgn	CHECKED BY: JLL
DESIGNED BY: STANTEC	SHEET 61 OF 116
IPARM FILE: p07b198i06.i	