

646.402 DURABLE 4 INCH WHITE LINE, THERMOPLASTIC
STA. 194+50 TO 200+50, SOLID LT & RT

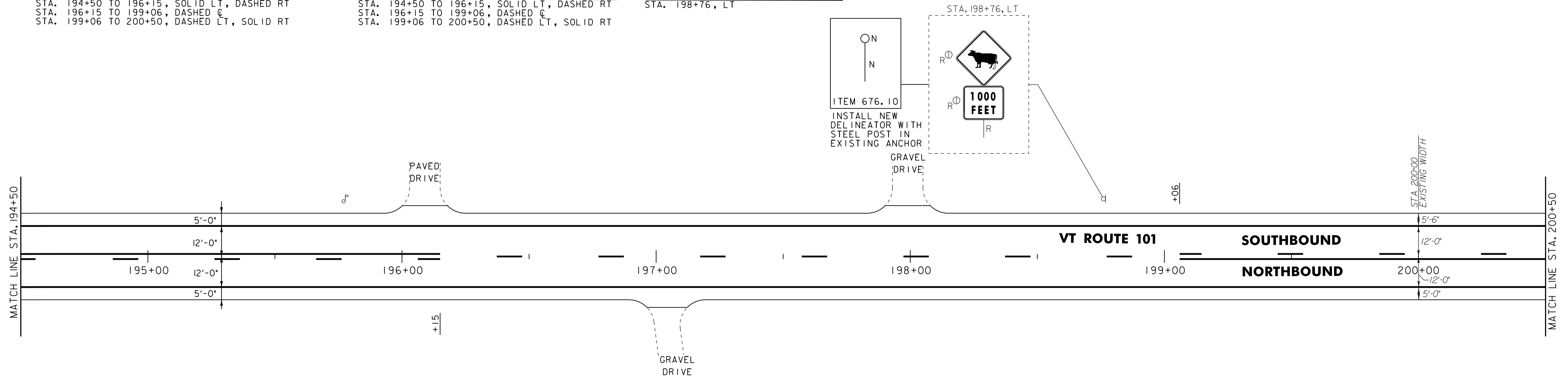
646.602 TEMPORARY 4 INCH WHITE LINE, PAINT
STA. 194+50 TO 200+50, SOLID LT & RT

675.50 REMOVING SIGNS
AS SHOWN - 2

646.412 DURABLE 4 INCH YELLOW LINE, THERMOPLASTIC
STA. 194+50 TO 196+15, SOLID LT, DASHED RT
STA. 196+15 TO 199+06, DASHED C
STA. 199+06 TO 200+50, DASHED LT, SOLID RT

646.612 TEMPORARY 4 INCH YELLOW LINE, PAINT
STA. 194+50 TO 196+15, SOLID LT, DASHED RT
STA. 196+15 TO 199+06, DASHED C
STA. 199+06 TO 200+50, DASHED LT, SOLID RT

676.10 DELINEATOR WITH STEEL POST
STA. 198+76, LT



646.402 DURABLE 4 INCH WHITE LINE, THERMOPLASTIC
STA. 200+50 TO 206+50, SOLID LT & RT

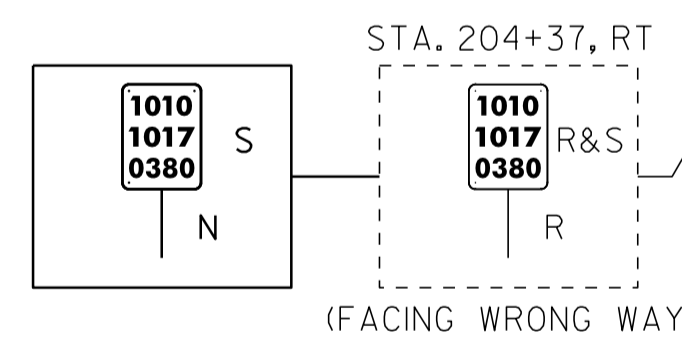
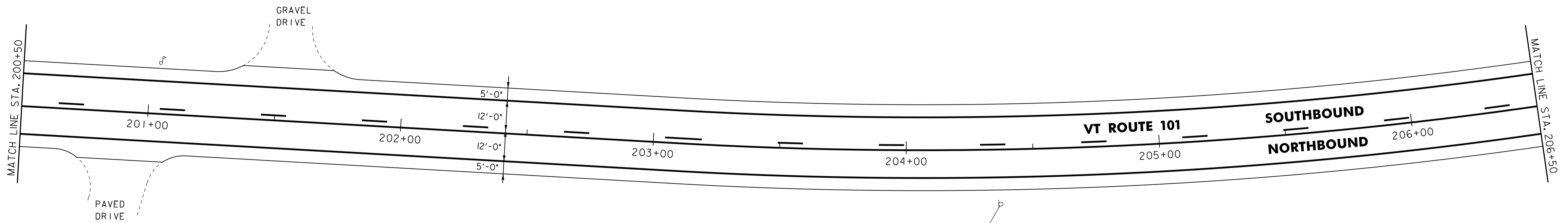
646.602 TEMPORARY 4 INCH WHITE LINE, PAINT
STA. 200+50 TO 206+50, SOLID LT & RT

675.50 REMOVING SIGNS
AS SHOWN - 1

646.412 DURABLE 4 INCH YELLOW LINE, THERMOPLASTIC
STA. 200+50 TO 206+50, DASHED LT, SOLID RT

646.612 TEMPORARY 4 INCH YELLOW LINE, PAINT
STA. 200+50 TO 206+50, DASHED LT, SOLID RT

675.60 ERECTING SALVAGED SIGNS
AS SHOWN - 1



NOTES:
1. ALL EXISTING SIGNS NOT SHOWN SHALL BE RETAINED.
2. FOR LEGENDS, SEE LAYOUT SHEET #1A.

PROJECT LAYOUT SHEET #19	NOT TO SCALE	
	PROJECT NAME: TROY	
	PROJECT NUMBER: STP-HES 2718(1)	
	FILE NAME: p07c200.dgn	PLOT DATE: 25-OCT-2011 14:00
PROJECT LEADER: JLL	DRAWN BY: STANTEC	
DESIGNED BY: MCF	CHECKED BY: JLL	
IPARM FILE: p07c200119.i	SHEET 35 OF 116	