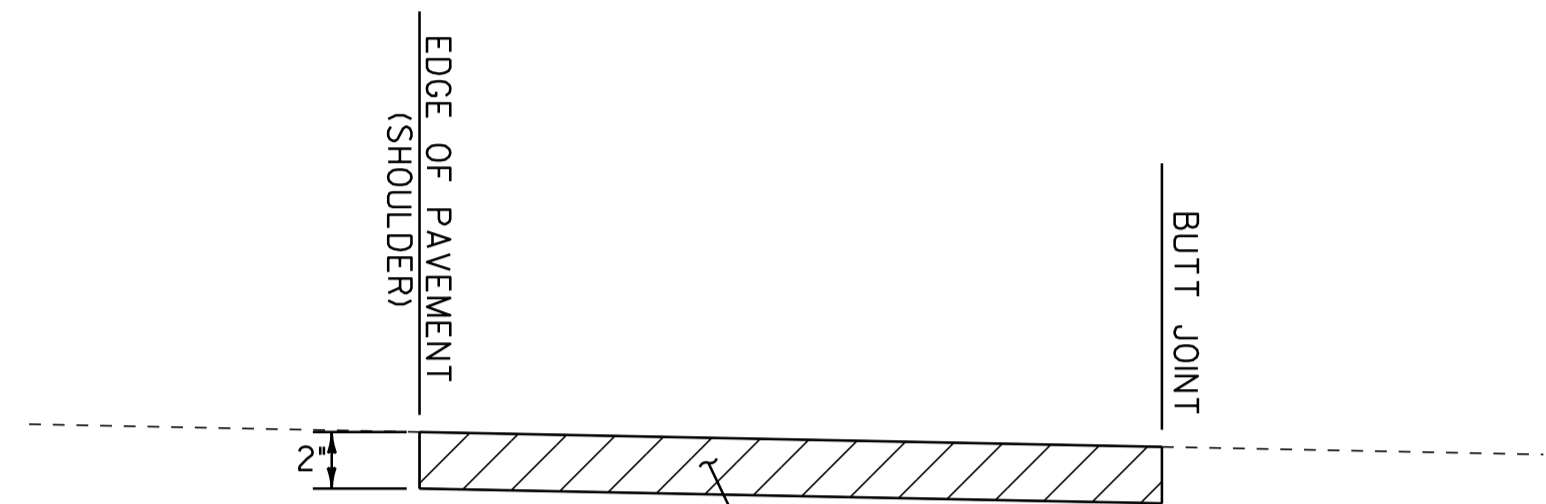
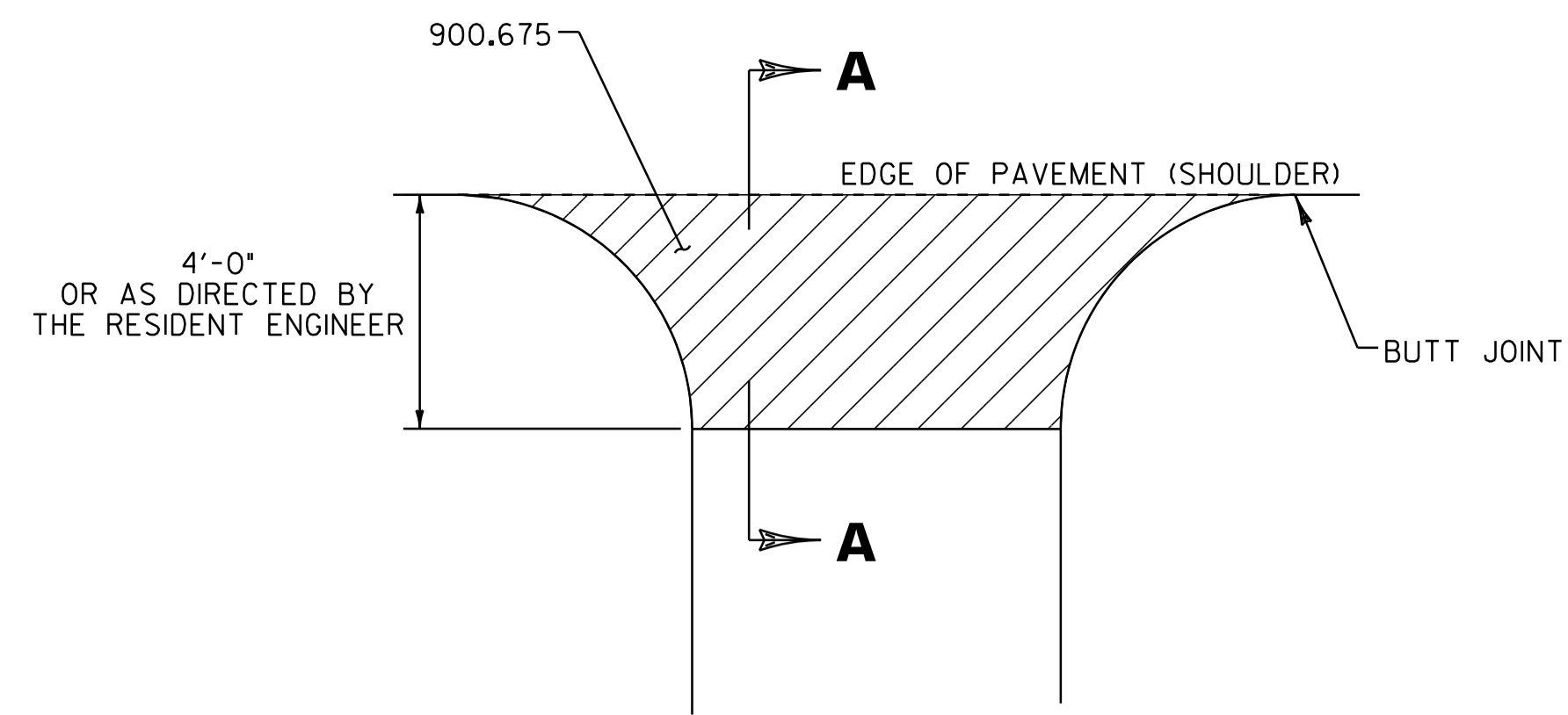


PLAN

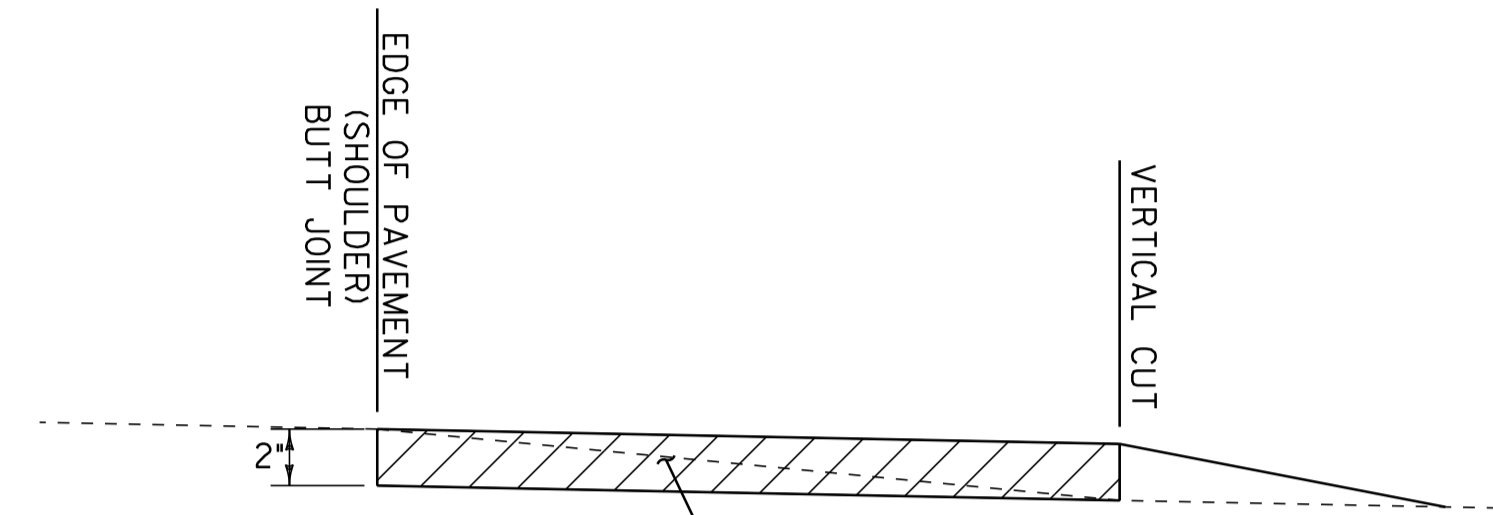


SECTION

HANDWORK DETAILS FOR PAVED DRIVES



PLAN



SECTION A-A

HANDWORK DETAILS FOR GRAVEL DRIVES

STATION	POSITION	QUANTITY (SY)
STP-HES 2718(1)		
VT ROUTE 101		
4+92	RT	24
4+93	LT	17
6+43	LT	6
6+46	RT	12
6+78	LT	17
7+61	LT	9
8+10	RT	15
8+53	LT	8
9+15	RT	6
10+79	RT	15
11+15	LT	14
12+21	LT	8
12+93	LT	8
13+66	RT	14
13+88	LT	14
15+35	LT	13
18+49	RT	12
19+83	RT	8
21+93	LT	14
24+22	LT	5
26+20	LT	15
27+60	LT	12
28+06	RT	11

STATION	POSITION	QUANTITY (SY)
29+11	LT	12
42+15	LT	13
45+39	LT	7
50+15	LT	8
51+72	LT	10
52+82	LT	11
61+24	LT	11
70+96	LT	10
71+29	RT	8
72+77	LT	15
74+03	LT	11
75+26	LT	10
76+32	LT	10
81+55	LT	15
82+56	RT	14
85+75	LT	11
87+54	LT	10
88+86	LT	16
91+11	LT	8
94+08	LT	14
95+18	LT	10
99+56	LT	12
101+80	LT	15
104+88	RT	12
105+55	LT	11

STATION	POSITION	QUANTITY (SY)
108+74	LT	16
117+04	LT	13
118+30	LT	10
118+49	RT	9
124+19	RT	12
126+43	LT	13
129+08	RT	10
132+85	RT	12
134+19	LT	12
137+14	LT	10
144+67	RT	12
144+80	LT	22
145+75	LT	20
146+19	RT	12
148+00	RT	22
150+83	LT	9
154+32	RT	12
154+43	LT	12
154+75	RT	9
156+26	LT	11
156+61	RT	20
169+74	RT	12
169+97	LT	8
175+97	LT	12
179+51	RT	5

STATION	POSITION	QUANTITY (SY)
184+58	LT	11
188+63	LT	28
190+00	LT	31
192+99	RT	18
194+02	LT	8
196+09	LT	9
197+04	RT	9
197+99	LT	9
200+90	RT	17
201+55	LT	18
209+58	RT	11
210+46	LT	12
211+71	RT	10
212+13	RT	12
214+57	LT	33
216+65	LT	32
218+23	RT	23
220+47	RT	17
220+89	LT	5
227+25	LT	10
SUBTOTAL		1199
ROUNDING		1
TOTAL		1200

NOTES:

- PAVING LIFT SHALL BE A MINIMUM OF 1 1/2" AND A MAXIMUM OF 2".
- THE COST OF PROVIDING AND PLACING SUBBASE MATERIAL, CLEANING EXISTING PAVED SURFACES, INCLUDING POWER EQUIPMENT, AND FOR FILLING JOINTS, CRACKS AND HOLES WILL NOT BE PAID DIRECTLY BUT WILL BE CONSIDERED INCIDENTAL TO ITEM 900.675 SPECIAL PROVISION (HAND-PLACED BITUMINOUS CONCRETE MATERIAL, DRIVES).
- EXCAVATION NEEDED TO ACHIEVE PROPER DRIVE SLOPES WILL NOT BE PAID DIRECTLY BUT WILL BE CONSIDERED INCIDENTAL TO ITEM 900.675 SPECIAL PROVISION (HAND-PLACED BITUMINOUS CONCRETE MATERIAL, DRIVES).

LEGEND



ITEM 900.675 SPECIAL PROVISION (HAND-PLACED BITUMINOUS CONCRETE MATERIAL, DRIVES)

NOT TO SCALE



**DRIVE
DETAIL
SHEET**

PROJECT NAME:	TROY
PROJECT NUMBER:	STP-HES 2718(1)
FILE NAME:	p07c200.dgn
PROJECT LEADER:	JLL
DESIGNED BY:	MCF
IPARM FILE:	p07c200ds.i
PLOT DATE:	25-OCT-2011 13:59
DRAWN BY:	STANTEC
CHECKED BY:	JLL
SHEET	14 OF 116