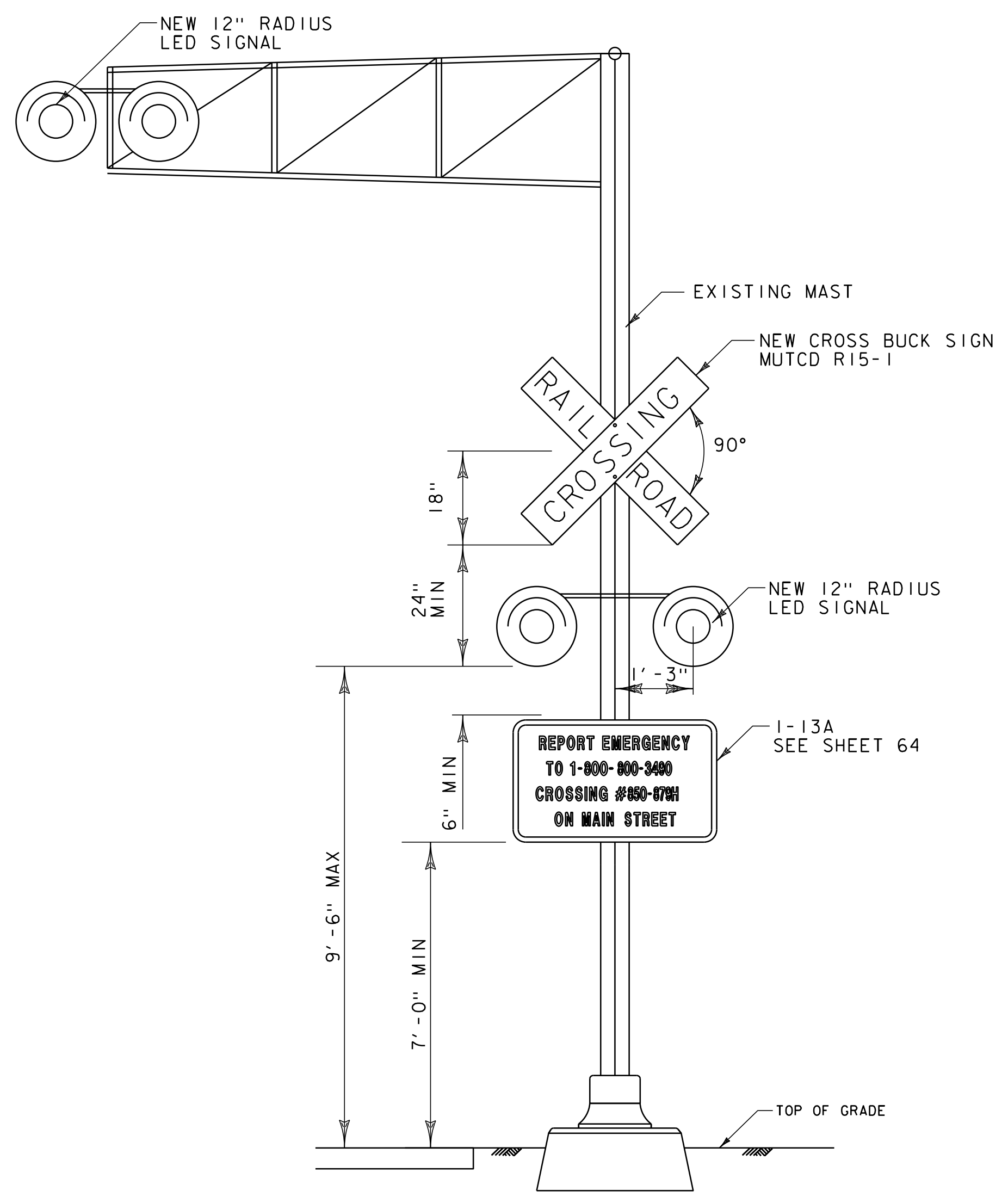


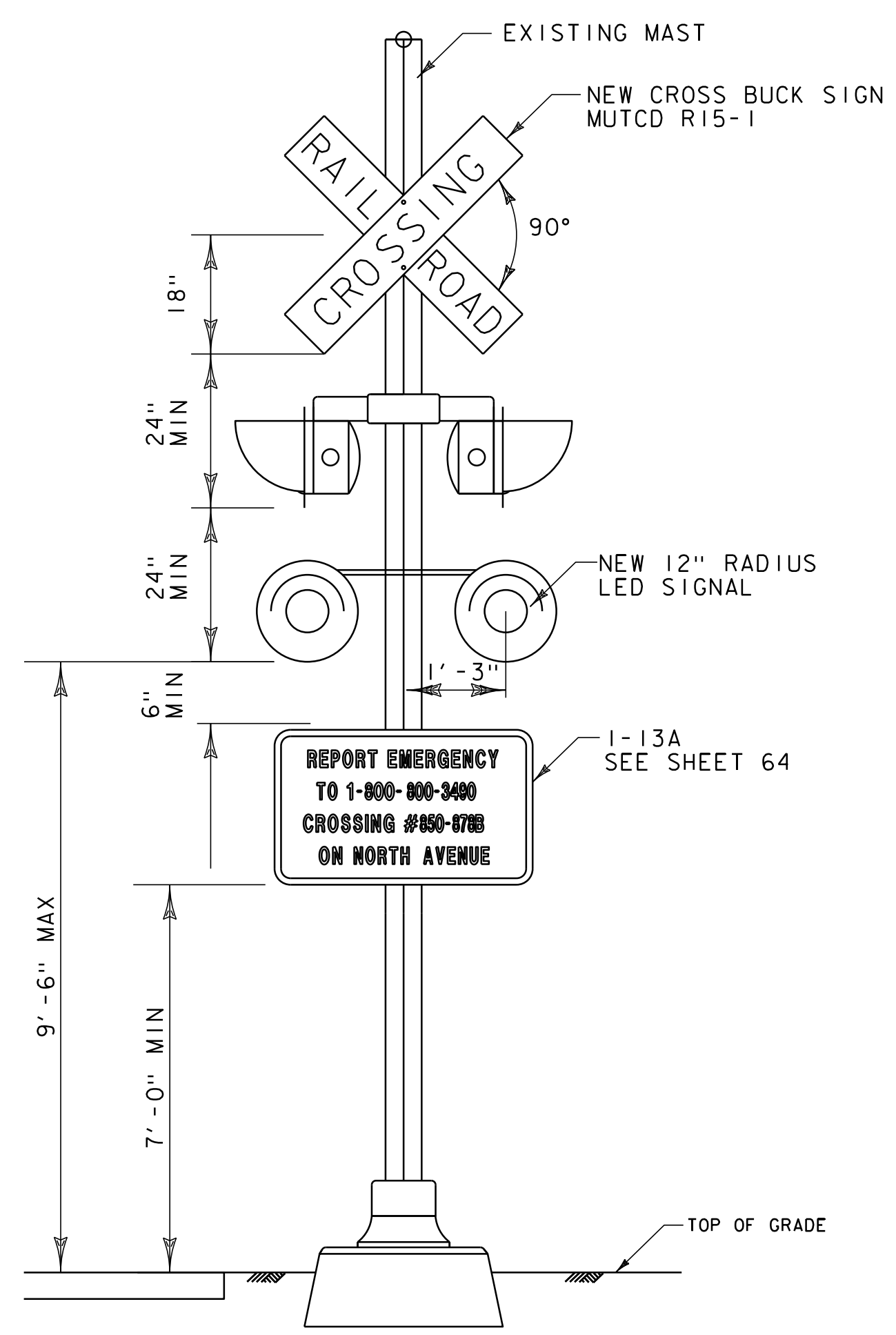
| QTY | DESCRIPTION                   |
|-----|-------------------------------|
| 4   | R15-1 CROSS BUCK SIGN         |
| 26  | 12" LED SIGNAL                |
| 5   | 1-13A "REPORT EMERGENCY" SIGN |

**SIGNAL ASSEMBLY IMPROVEMENT PLAN**

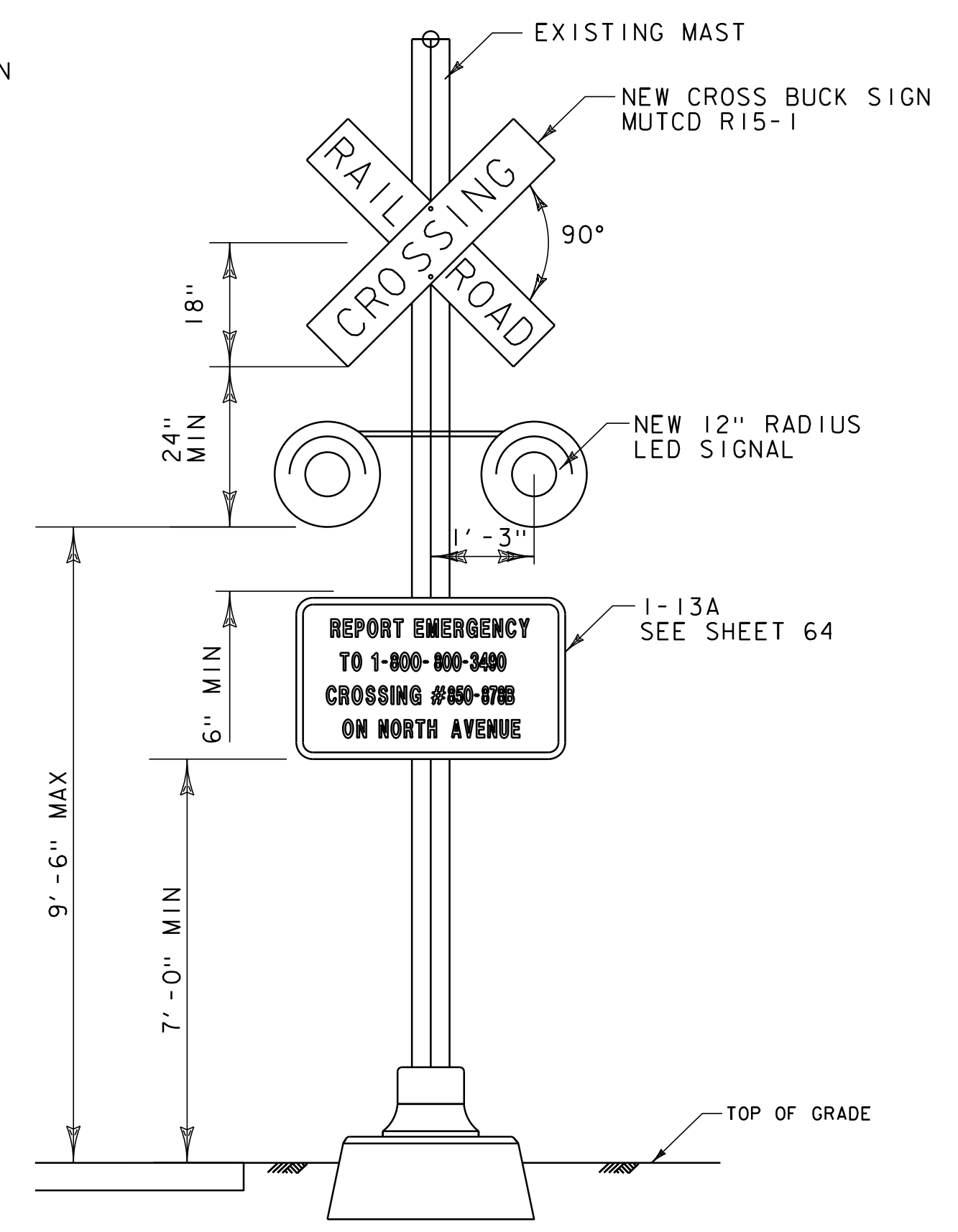
NOT TO SCALE



**SIGNAL 1 AND SIGNAL 2 DETAIL**



**SIGNAL 3 DETAIL**



**SIGNAL 4 DETAIL**

**NOTES:**

- 1-13A SIGNS SHALL BE PLACED ONE ON EACH SIGNAL MAST AND ONE ON THE SIGNAL CABINET.
- NEW 1-13A SIGNS, 12" LED SIGNALS, SIGNAL CONDUIT AND REWIRING OF EXISTING MASTS SHALL BE PAID AS ITEM 900.645 SPECIAL PROVISION (RAIL-HIGHWAY CROSSING ACTIVE WARNING SYSTEM).

|  |                             |                             |                     |
|--|-----------------------------|-----------------------------|---------------------|
| <p><b>RR SIGNAL ASSEMBLY IMPROVEMENTS DETAIL SHEET</b></p> | PROJECT NAME: BARTON        | PLOT DATE: 30-OCT-2013 17:0 |                     |
|  | PROJECT NUMBER: STP 2702(I) | DRAWN BY: STANTEC           |                     |
|  | FILE NAME: p07c192.dgn      | DESIGNED BY: STANTEC        | CHECKED BY: STANTEC |
|  | IPARM FILE: p07c192sid.i    |                             | SHEET 73 OF 75      |