

**"Standoffs"**  
(Alloy 6061-T6)

**"Curb Side"**

Qty.	Pc.Mk.	"L"	"X"	"A"	"B"	"C"
1	SC1	2'-6 1/4"	3/16"	1'-0 3/16"	1'-1 1/8"	1 1/16"
1	SC2	2'-3 3/16"	3/16"	10 3/16"	1'-0 5/16"	1 1/16"
1	SC3	2'-0 5/8"	3/16"	8 1/2"	11 3/16"	1 1/16"
1	SC4	1'-9 7/8"	3/16"	6 7/8"	10 7/8"	1 1/16"
1	SC5	1'-2 7/8"	3/16"	—	9 7/8"	2"
1	SC6	1'-1 7/8"	3/16"	—	8 7/8"	2"
1	SC7	1'-0 7/8"	3/16"	—	7 7/8"	2"

**"Sidewalk Side"**

Qty.	Pc.Mk.	"L"	"X"	"A"	"B"	"C"
1	SS1	2'-2 5/16"	1/4"	10 7/16"	11 15/16"	1 1/16"
1	SS2	2'-1 1/4"	1/4"	9 9/8"	11 15/16"	1 1/16"
1	SS3	1'-11 1/16"	1/4"	7 3/4"	10 3/4"	1 1/16"
1	SS4	1'-9 3/16"	1/4"	6 7/16"	10 3/8"	1 1/16"
1	SS5	1'-2 3/8"	0	—	9 3/8"	2"
1	SS6	1'-1 5/8"	0	—	8 5/8"	2"
1	SS7	1'-0 13/16"	0	—	7 13/16"	2"

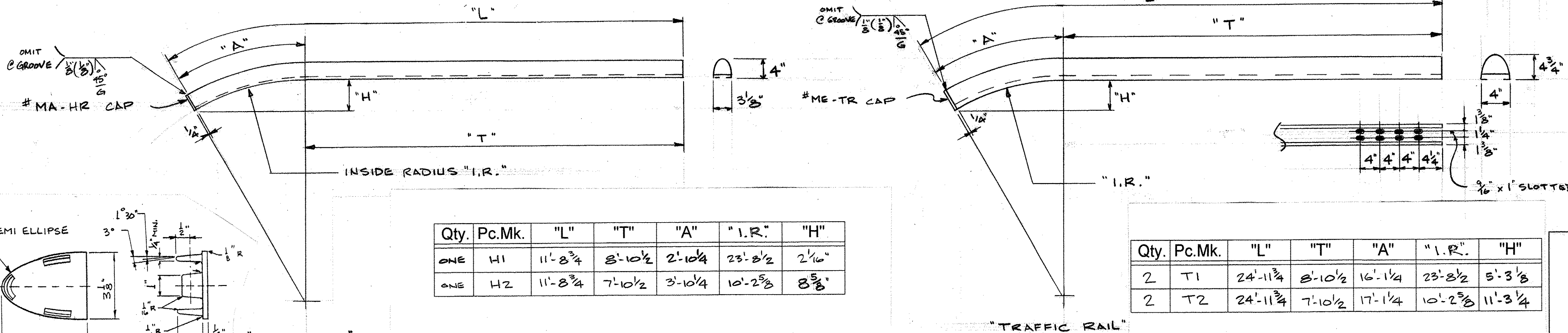
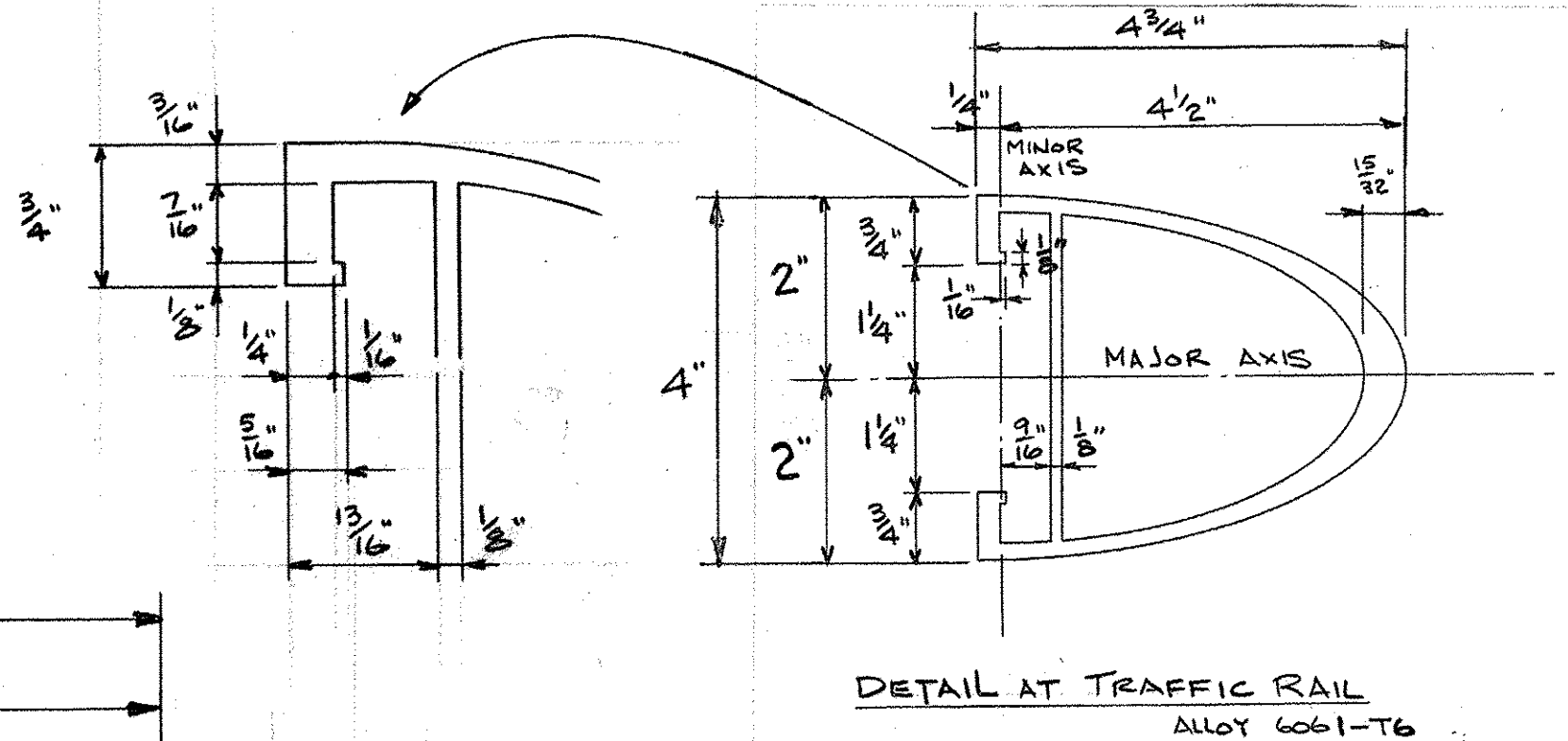
**"Approach Posts"**  
(Alloy 6061-T6)

**"Curb Side"**

Qty.	Pc.Mk.	"L"	"X"	"A"	"B"	"C"
1	C1	6'-6"	3/16"	1'-0 9/16"	1'-1 1/8"	1 1/16"
1	C2	6'-6"	3/16"	10 3/16"	1'-0 3/8"	1 1/16"
1	C3	6'-6"	3/16"	8 1/2"	11 1/16"	1 1/16"
1	C4	6'-6"	3/16"	6 7/8"	10 7/8"	1 1/16"
1	C5	6'-0"	3/16"	—	9 7/8"	2"
1	C6	6'-0"	3/16"	—	8 7/8"	2"
1	C7	6'-0"	3/16"	—	7 7/8"	2"

**"Sidewalk Side"**

Qty.	Pc.Mk.	"L"	"X"	"A"	"B"	"C"
1	S1	6'-6"	1/4"	10 7/16"	11 15/16"	1 1/16"
1	S2	6'-6"	1/4"	9 9/8"	11 15/16"	1 1/16"
1	S3	6'-6"	1/4"	7 3/4"	10 3/4"	1 1/16"
1	S4	6'-6"	1/4"	6 7/16"	10 3/8"	1 1/16"
1	S5	6'-0"	0	—	9 3/8"	2"
1	S6	6'-0"	0	—	8 5/8"	2"
1	S7	6'-0"	0	—	7 13/16"	2"



Qty.	Pc.Mk.	"L"	"T"	"A"	"I.R."	"H"
ONE	H1	11'-8 3/4"	8'-10 1/2"	2'-10 1/4"	23'-2 1/2"	2 1/16"
ONE	H2	11'-8 3/4"	7'-10 1/2"	3'-10 1/4"	10'-2 5/8"	8 5/8"

Qty.	Pc.Mk.	"L"	"T"	"A"	"I.R."	"H"
2	T1	24'-11 3/4"	8'-10 1/2"	16'-1 1/4"	23'-2 1/2"	5'-3 1/8"
2	T2	24'-11 3/4"	7'-10 1/2"	17'-1 1/4"	10'-2 5/8"	11'-3 1/4"

**AUCIELLO IRON WORKS INC**  
560 MAIN ST. HUDSON, MA (978) 568-8382

VERMONT AGENCY OF TRANSPORTATION  
HARTFORD #STP 2701(1)  
ROUTE 14

**ALUMINUM APPROACH RAIL**

SURFACE PREP: NONE	FINISH: MILL
FOR: VERMONT RECREATIONAL	
DR: 6/17/09	DWG. NO.
CHK: 7-10-09	BR-2961
JOB NO.	SHEET 2 OF 3

1	7-10-09	FOR APPROVAL	
ISSUE	DATE	DESCRIPTION	BY