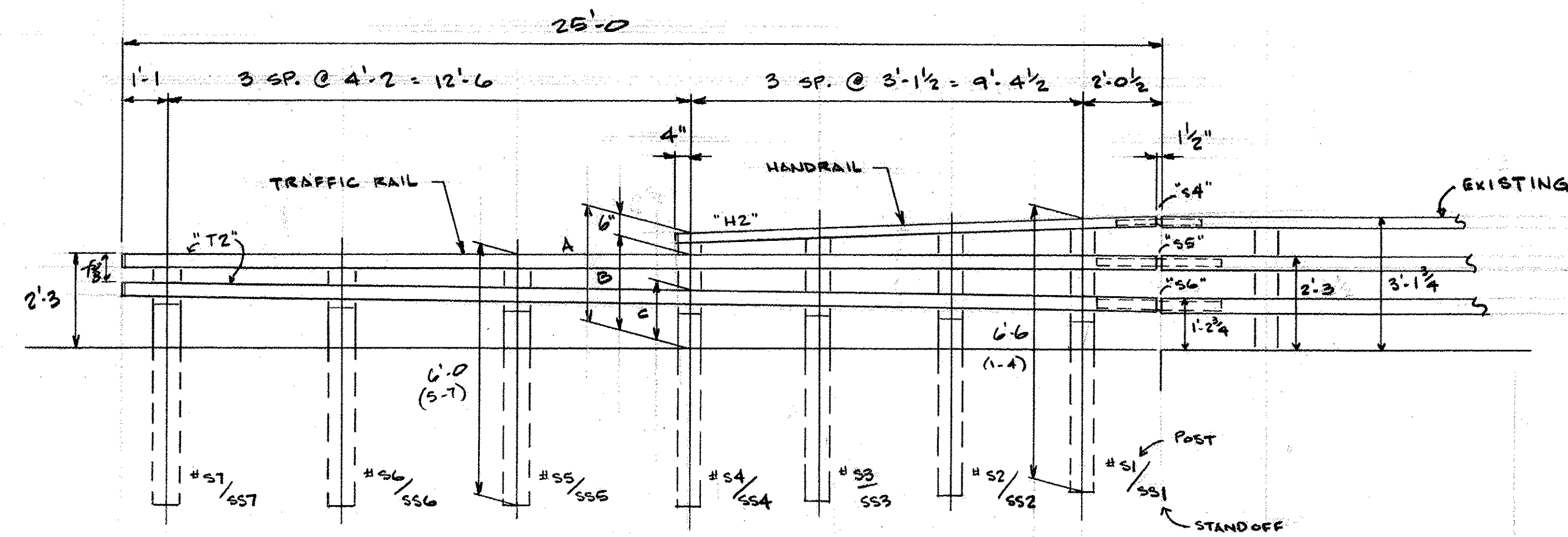
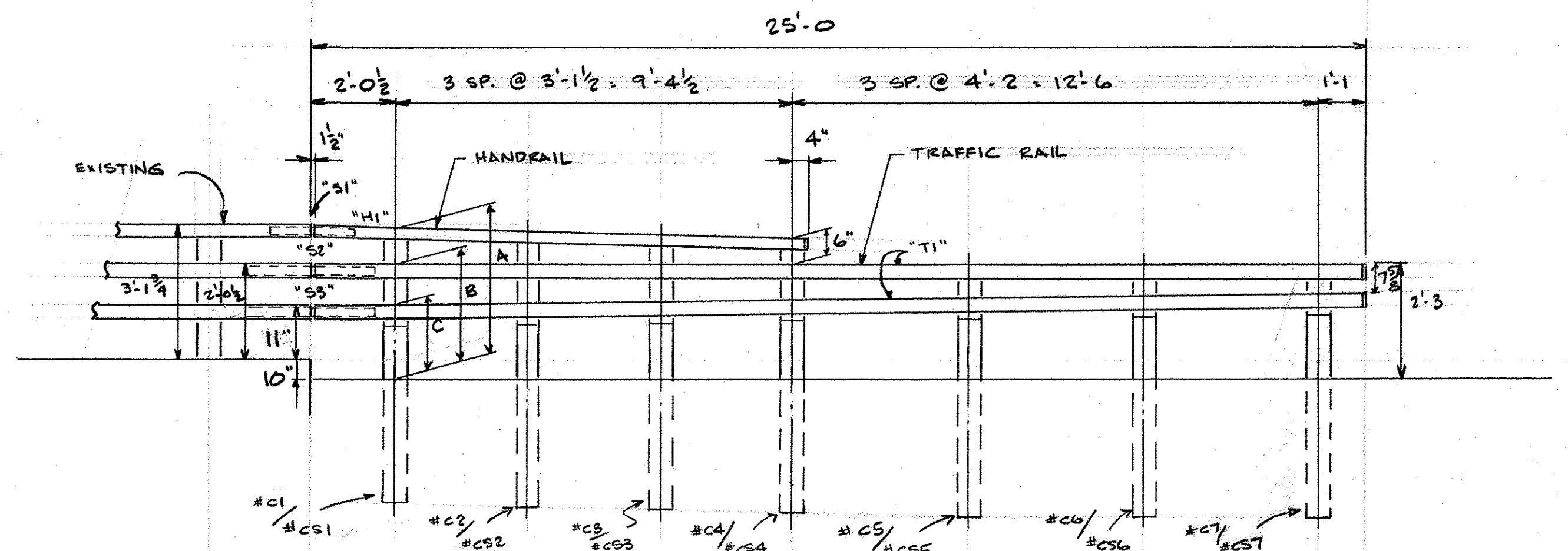


NOTE:  
DIMENSIONS GIVEN ALONG  
FACE OF RAIL.



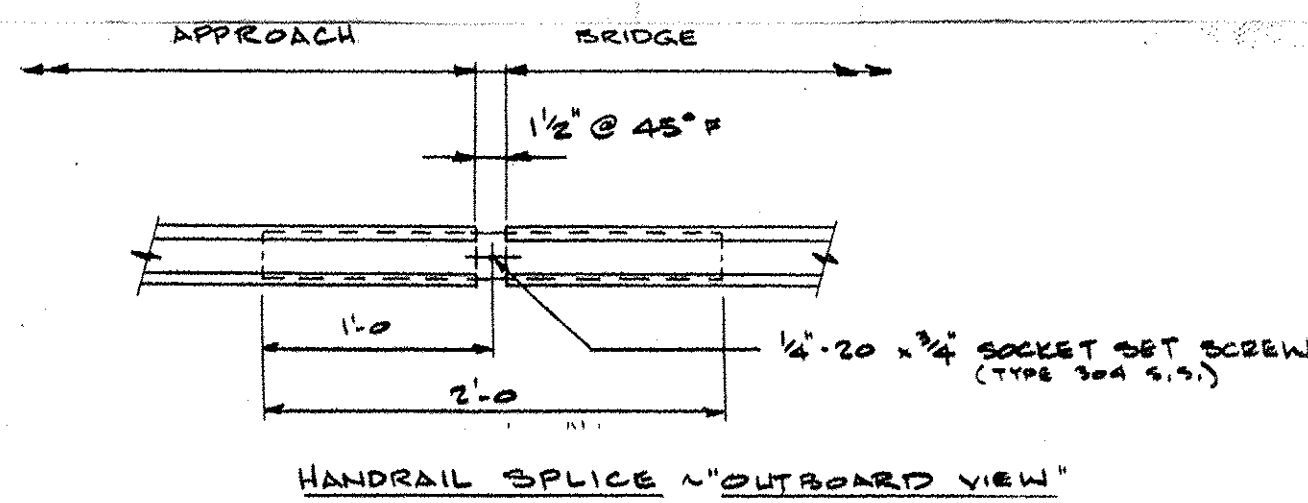
ELEVATION AT "SIDEWALK"



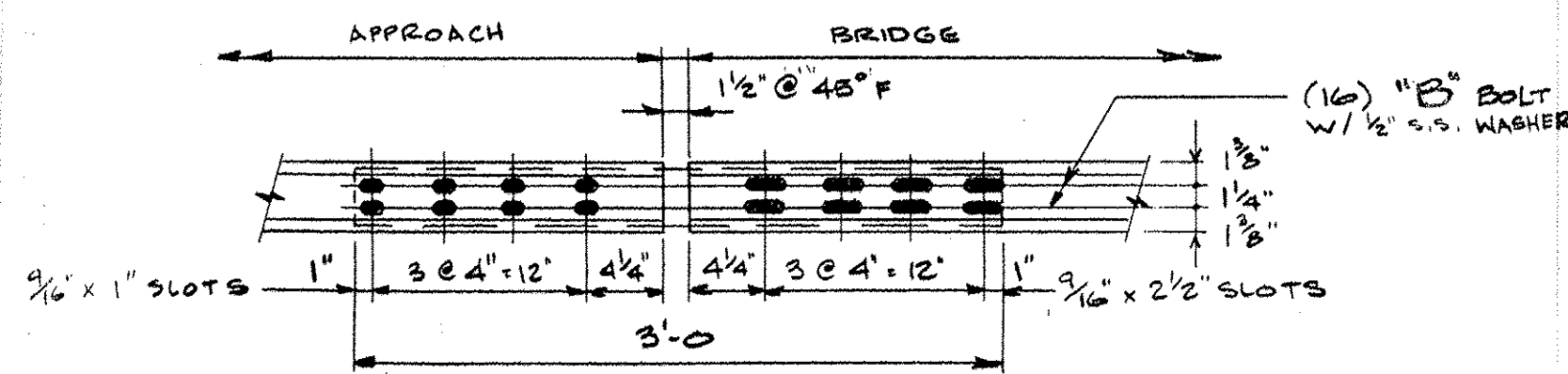
ELEVATION AT "CURB"

Pc.Mk.	"A"	"B"	"C"
S1	3'-1	2'-3	1'-3 1/16
S2	2'-11 1/16	2'-3	1'-3 1/16
S3	2'-10 5/16	2'-3	1'-4 1/4
S4	2'-9	2'-3	1'-4 3/16
S5	—	2'-3	1'-5 5/8
S6	—	2'-3	1'-6 3/8
S7	—	2'-3	1'-7 3/16

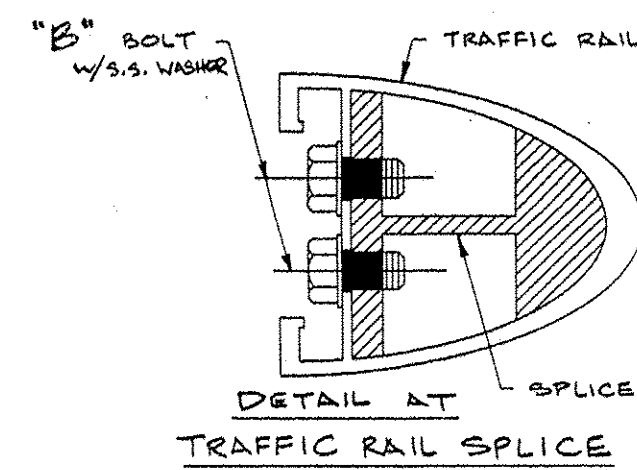
Pc.Mk.	"A"	"B"	"C"
C1	3'-10 1/8	2'-10	1'-8 3/8
C2	3'-7 1/8	2'-9	1'-8 1/16
C3	3'-4 1/8	2'-8 1/16	1'-8 1/2
C4	3'-1 1/8	2'-7 1/8	1'-8 1/4
C5	—	2'-5 1/8	1'-8
C6	—	2'-4 3/8	1'-7 3/4
C7	—	2'-3 3/16	1'-7 1/16



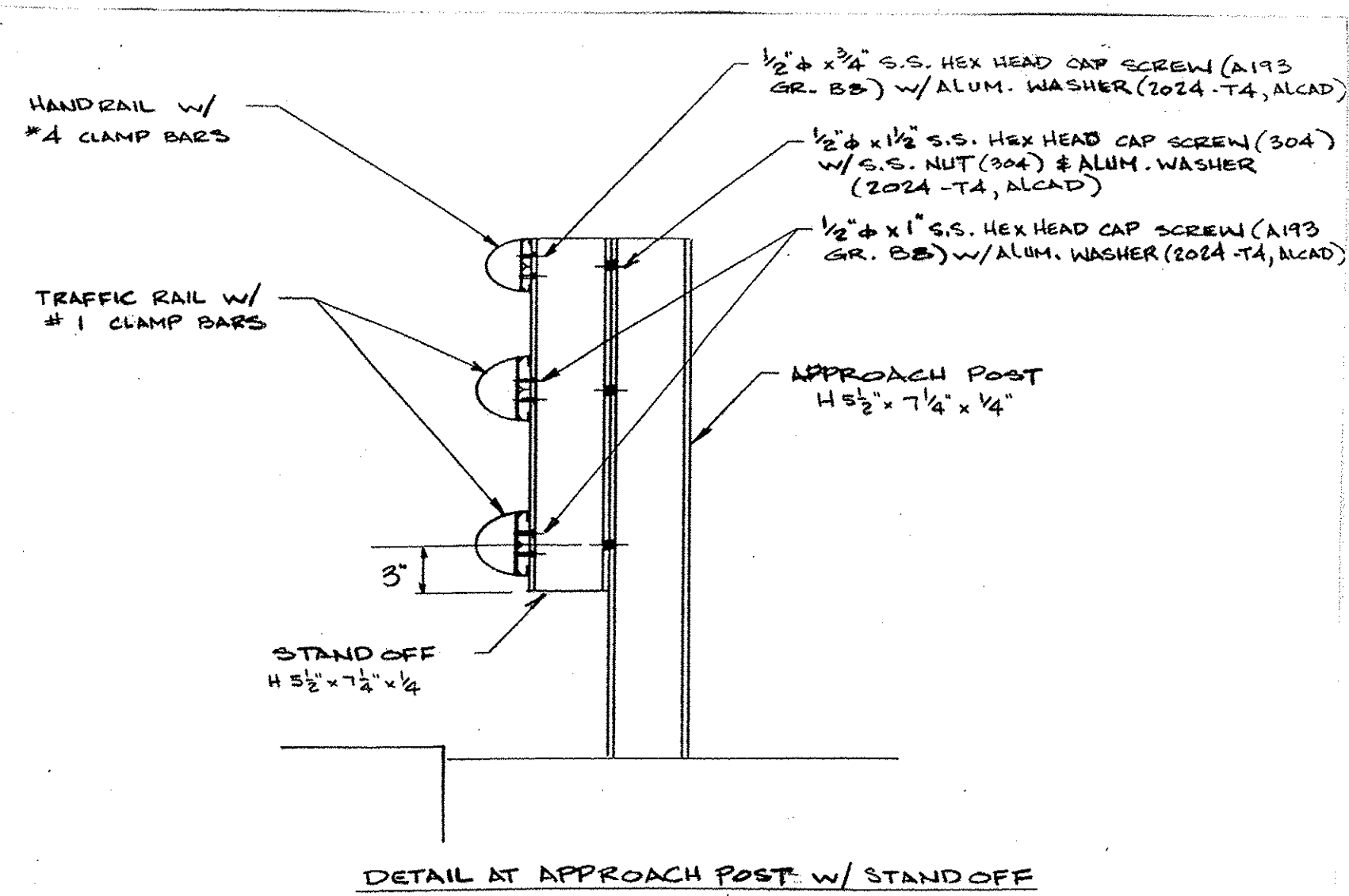
HANDRAIL SPLICE ~ "OUTBOARD VIEW"



TRAFFIC RAIL SPLICE ~ "OUTBOARD VIEW"



DETAIL AT TRAFFIC RAIL SPLICE



DETAIL AT APPROACH POST W/ STAND OFF

**AUCIELLO IRON WORKS INC**  
560 MAIN ST. HUDSON, MA (978) 568-8382

VERMONT AGENCY OF TRANSPORTATION  
HARTFORD #STP 2701(1)  
RT. 14

ALUMINUM APPROACH RAILING

SURFACE PREP: NONE FINISH: MILL

FOR: VERMONT RECREATIONAL

DR: *BRP* 2/18/09 DWG. NO.

CHK: *WM* 7/10/09 BR-2961

JOB NO. AB97062-1001 SHEET 1 OF 3

1 7-10-09 FOR APPROVAL

ISSUE DATE DESCRIPTION BY