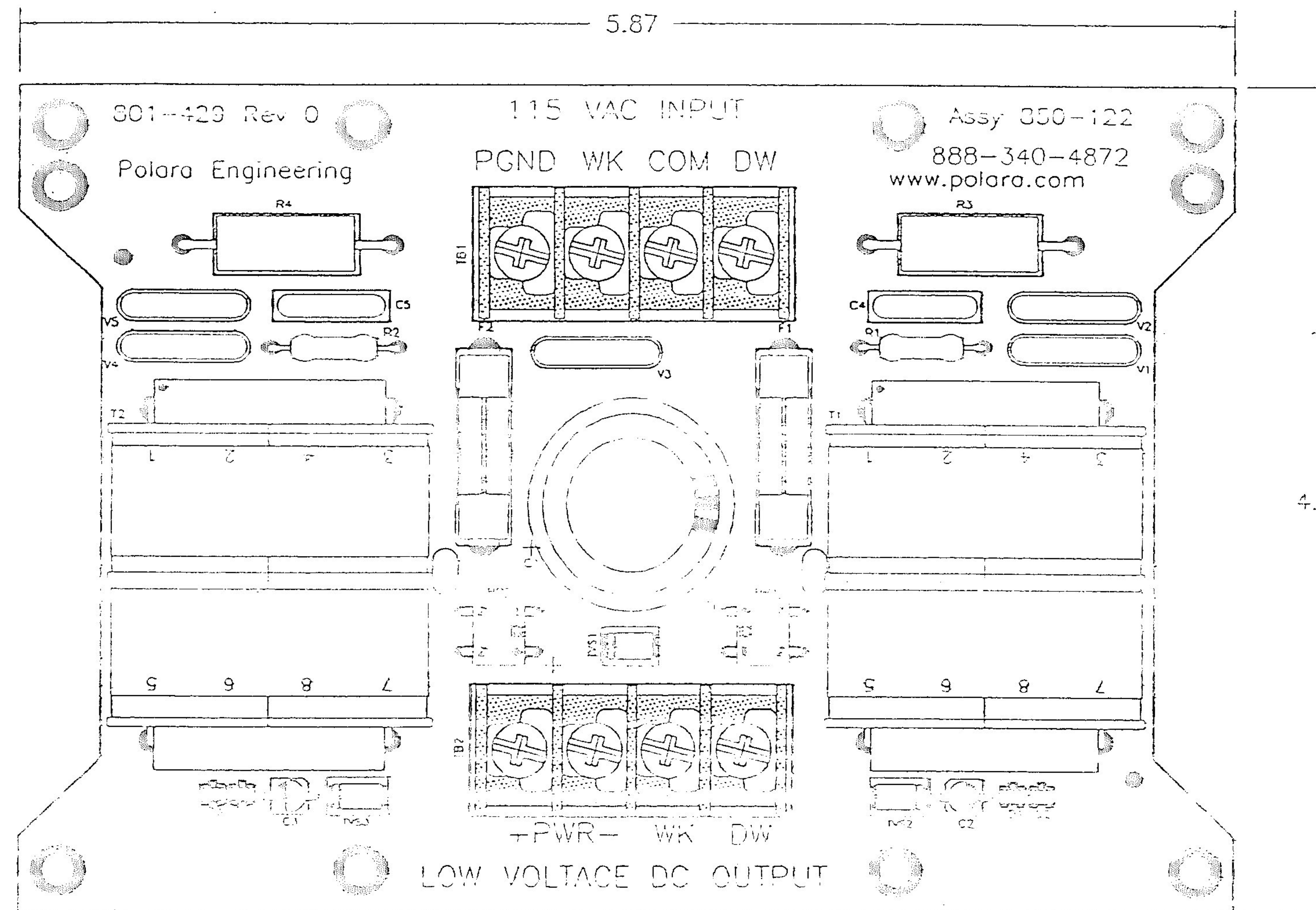


DWG. NO.
PHCU4W



SPECIFICATIONS

INPUT CONNECTIONS: 115VAC, Walk, Don't Walk, Common, Protective Ground, from wiring inside a pedestrian sign (Ped Head).

OUTPUT CONNECTIONS: Approximately 20 Volts DC, Positive and Negative Power, Walk and Don't Walk, to a Wire Push Button Station. The PHCU4W is provided with 2 mounting brackets and hardware which allow easy mounting inside all common types of pedestrian signs. It uses two 1/4 amp 5x20mm fuses. It has built in surge protection and is epoxy coated for moisture protection. There are no settings or adjustments.

301-429

Revised - 01/06/04

POLARA ENGINEERING INC.
4115 W. ARTESIA AVE. FULLERTON, CA. 92833

TOLERANCES: .XXX ±.005 .XX ±.02 (EXCEPT AS NOTED) SCALE NONE

DRAWN BY BB	CKR.	ENG. MGR.	MFG. MGR.	SHEET 1 OF 1
----------------	------	-----------	-----------	--------------

DATE 09-08-03	DSN. ENG.	Q.A. APP.	FINAL APP.	USE 4W NAV
------------------	-----------	-----------	------------	---------------

TITLE	DWG. NO.
-------	----------

WIRE POWER UNIT

PHCU4W

INFORMATION ON THIS DOCUMENT IS PROPRIETARY TO POLARA AND SHALL NOT BE USED, COPIED, REPRODUCED OR DISCLOSED IN WHOLE OR IN PART WITHOUT WRITTEN CONSENT OF POLARA.

REV.	DATE	LTR	E.C.O. NO.	BY	CKR	ENG	DSN	MFG	QA	FNL
------	------	-----	------------	----	-----	-----	-----	-----	----	-----