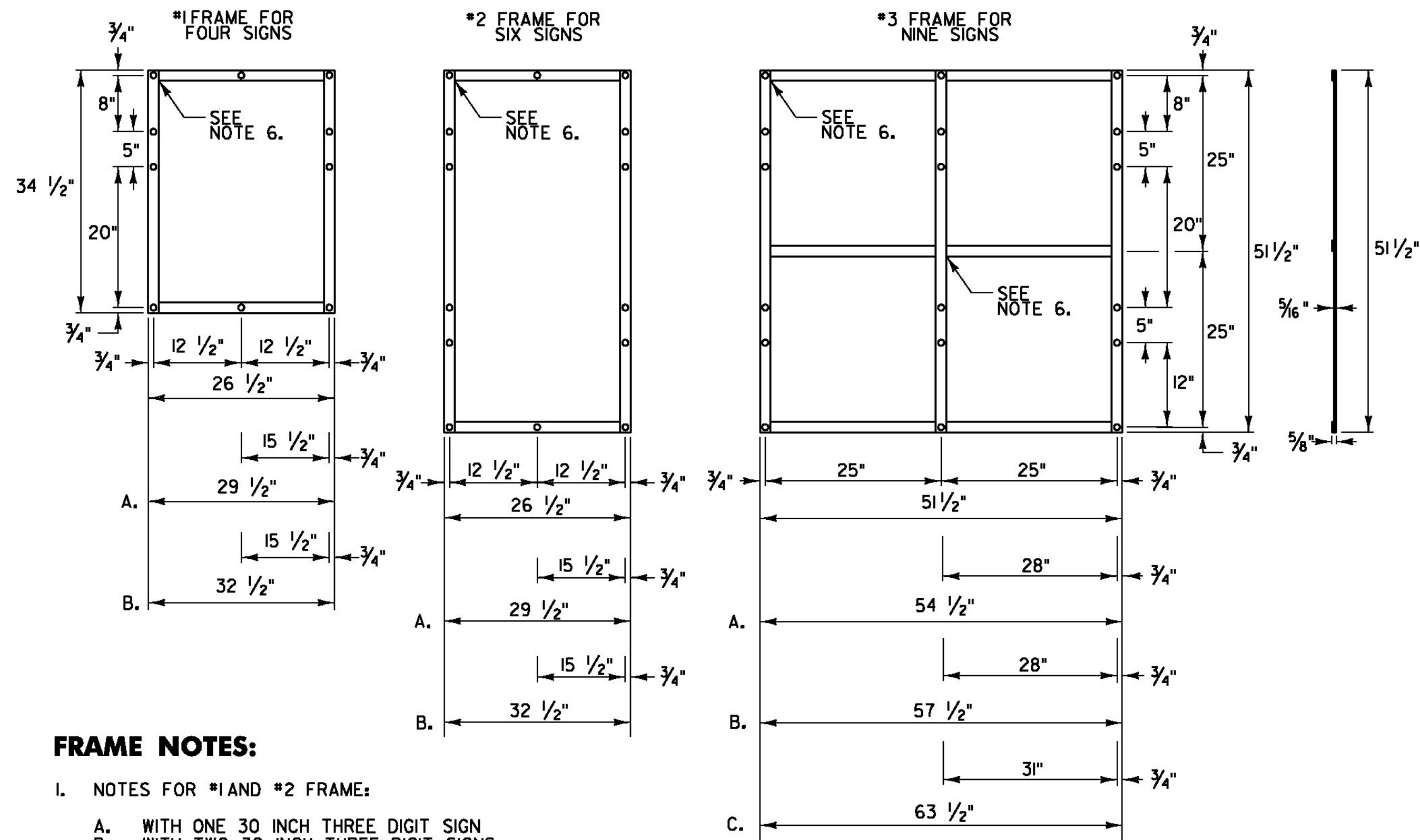


ROUTE MARKER ASSEMBLY FRAMES



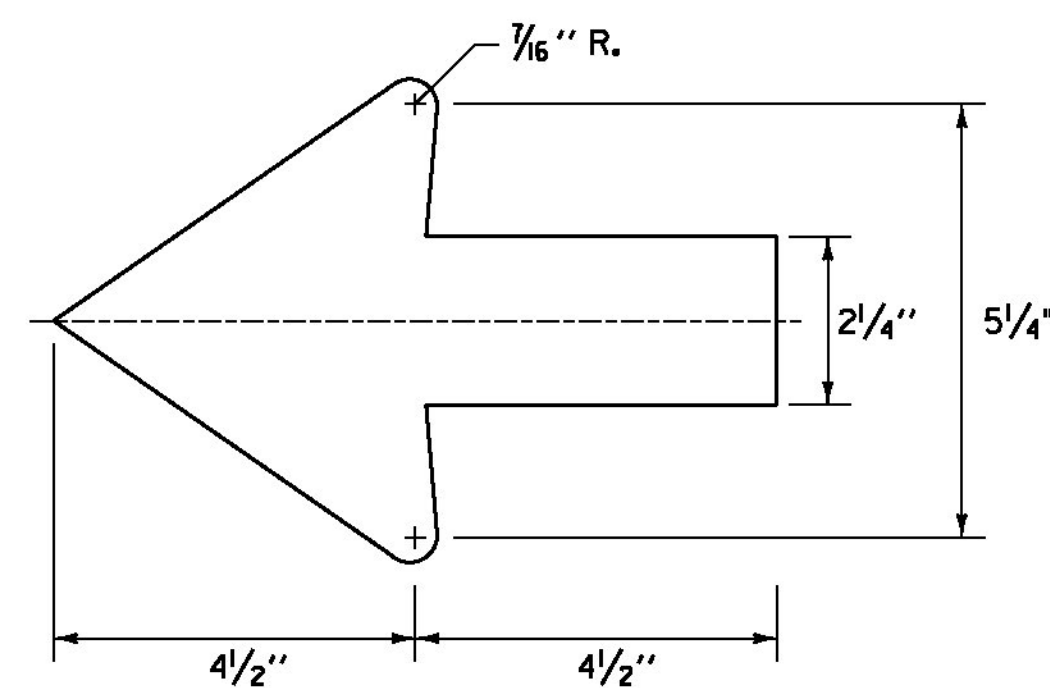
FRAME NOTES:

- NOTES FOR #1 AND #2 FRAME:
 - WITH ONE 30 INCH THREE DIGIT SIGN
 - WITH TWO 30 INCH THREE DIGIT SIGNS
- NOTES FOR #3 FRAME:
 - WITH ONE 30 INCH THREE DIGIT SIGN IN AN OUTSIDE POSITION.
 - WITH ONE 30 INCH THREE DIGIT SIGN IN THE CENTER POSITION OR TWO SUCH SIGNS IN THE OUTSIDE POSITIONS.
 - WITH THREE 30 INCH THREE DIGIT SIGNS.
- ALL HOLES SHALL BE 1/16" DIAMETER. FOR OTHER SIGN COMBINATIONS THAN ABOVE, THE FRAME DIMENSIONS AND HOLE SPACING SHALL BE MODIFIED AS NECESSARY. THE FRAME SHALL BE PAINTED WITH ONE COAT OF PRIMER AND A SECOND COAT OF BLACK PAINT. THE PAINT SHALL BE OF THE TYPE USED ON EXTERIOR METAL SURFACES TO PREVENT METAL CORROSION.
- ALL DIMENSIONS SHOWN IN INCHES UNLESS OTHERWISE NOTED.
- FRAMES SHALL BE CONSTRUCTED OF 3/16" x 1/2" A-36 STEEL.
- ALL OVERLAPPED CONNECTIONS SHALL BE WELDED WITH TWO 1/4" WIDE FILLET WELDS, 1 1/2" LONG.

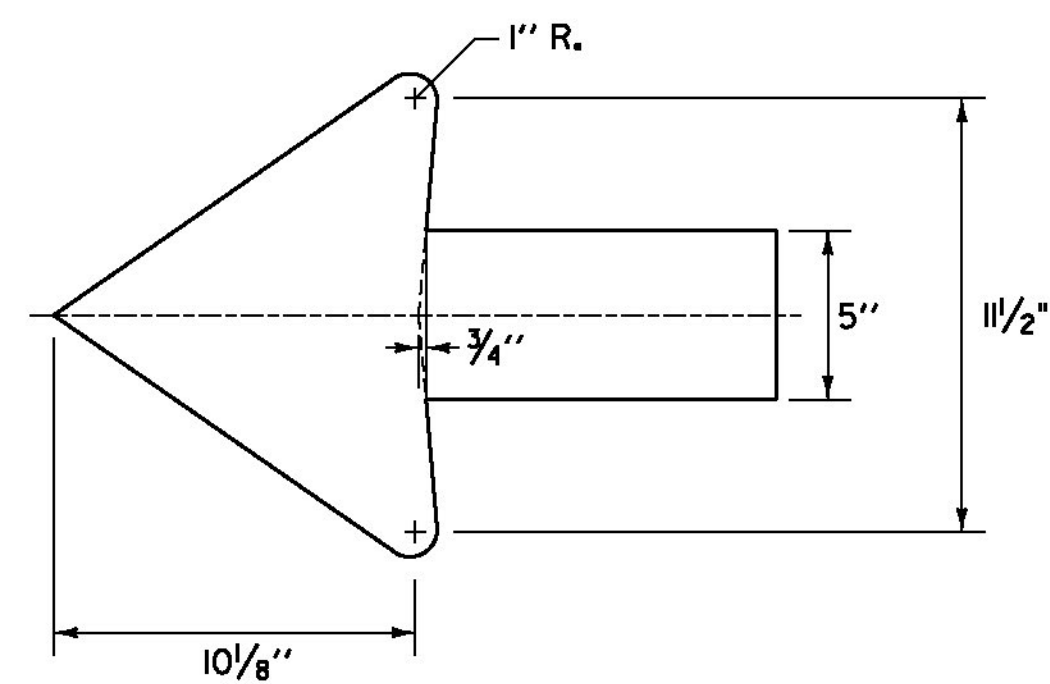
TRAFFIC SIGN NOTES

- ALL SIGN LETTERING, DIGITS, ARROWS, AND DESIGN OF SYMBOLS FOR SIGNS REFERENCED IN THESE PLANS SHALL CONFORM WITH THE "STANDARD ALPHABET FOR HIGHWAY SIGNS AND PAVEMENT MARKINGS" AS ADOPTED BY THE U.S. DEPARTMENT OF TRANSPORTATION AND THE FEDERAL HIGHWAY ADMINISTRATION (FHWA) UNLESS OTHERWISE DETAILED WITHIN THESE PLANS.
- ALL COLORS SHALL CONFORM WITH THE STANDARD COLORS ADOPTED BY THE AMERICAN ASSOCIATION OF STATE HIGHWAY AND TRANSPORTATION OFFICIALS (AASHTO) AND APPROVED BY FHWA UNLESS OTHERWISE NOTED.
- ALL SHEETING SHALL BE TYPE III MINIMUM PER SUBSECTION 750.08 RETROREFLECTIVE SHEETING.
- ALL STREET NAME SIGNS ARE TWO-SIDED UNLESS NOTED OTHERWISE.
- WHEN INSTALLING STREET NAME SIGNS (D3-1) USE 12" BRACKETS.
- UNLESS OTHERWISE DETAILED ON THE PLANS, ALL SIGN BASE MATERIALS SHALL BE FLAT SHEET ALUMINUM WITH THE FOLLOWING MINIMUM THICKNESSES:

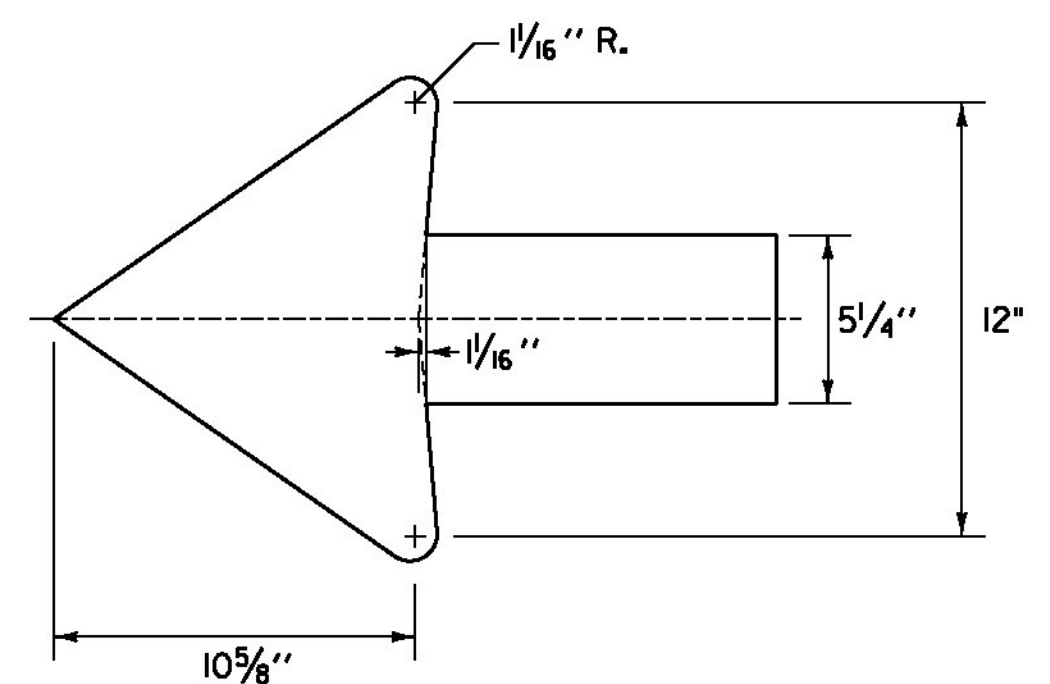
SIZES	36" X 12"	48" X 18"	48" X 24"	48" X 30"
	24" X 10"	36" X 15"		
	24" X 12"	42" X 12"		
	30" X 12"	48" X 12"		
	24" X 18"	36" X 18"		
	24" X 24"	54" X 12"	48" X 18"	
	24" X 30"	36" X 24"	48" X 24"	
	9" X 12"	30" X 15"	30" X 42"	48" X 30"
	12" X 12"	30" X 18"	36" X 36"	48" X 42"
	18" X 18"	30" X 30"	36" X 48"	48" X 48"
	21" X 15"	30" X 42"	36" X 54"	48" X 60"
THICKNESS	0.080"	0.080"	0.100"	0.125"



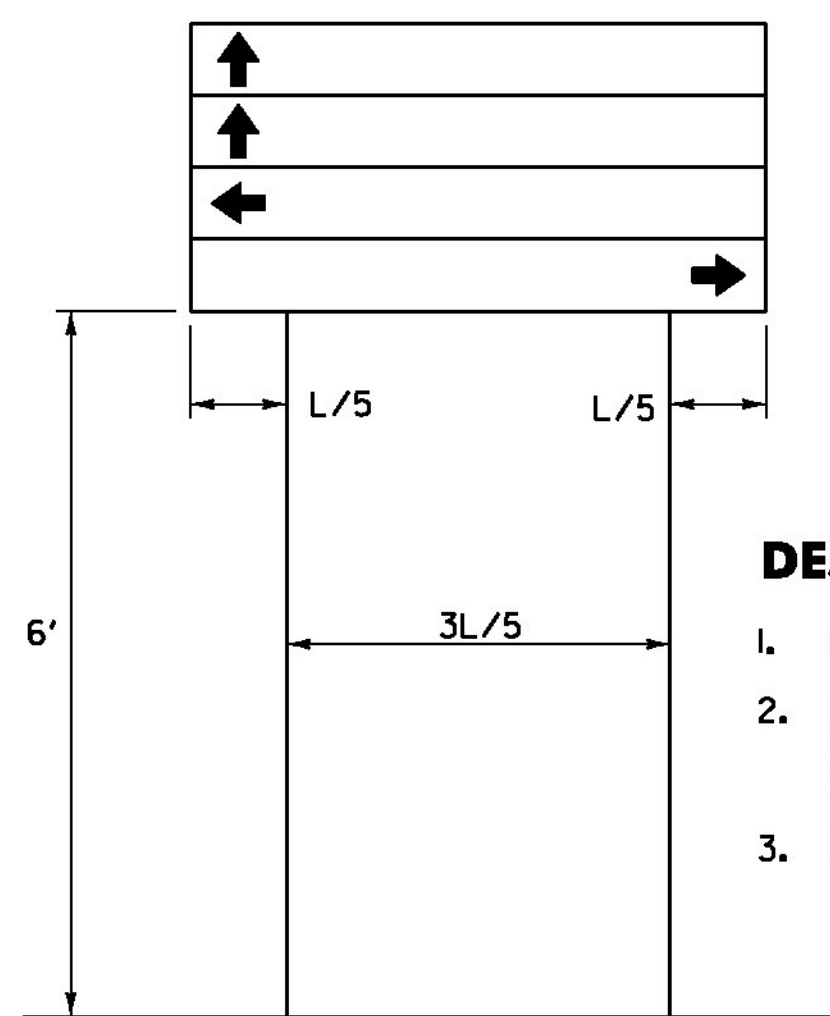
STANDARD SHSM 2.25" ARROW



STANDARD SHSM 5" ARROW



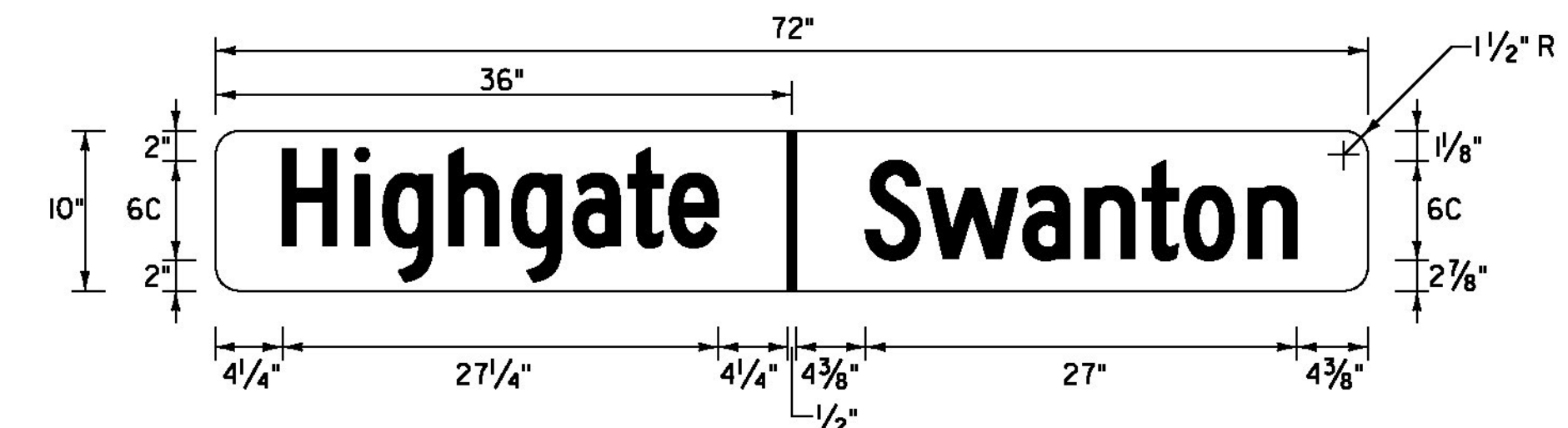
STANDARD SHSM 5.25" ARROW



DESTINATION ASSEMBLY

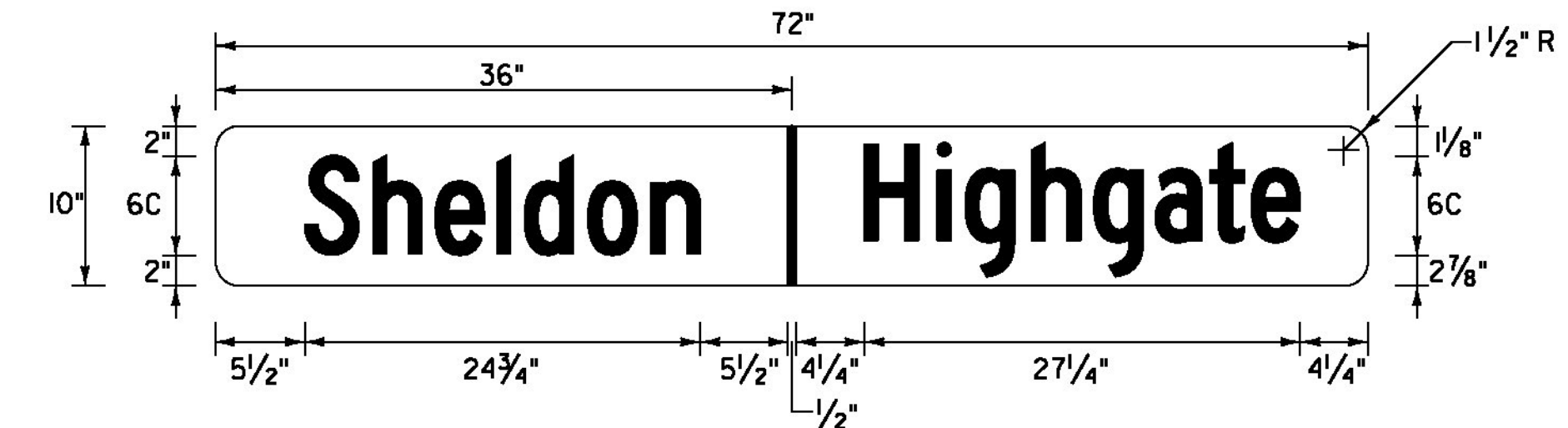
DESTINATION BOARD NOTES:

- SEQUENCE OF ARROWS AS SHOWN.
- LIMIT TO 2 SIGNS IN EACH DIRECTION, UNLESS OTHERWISE NOTED.
- L = LENGTH OF SIGN



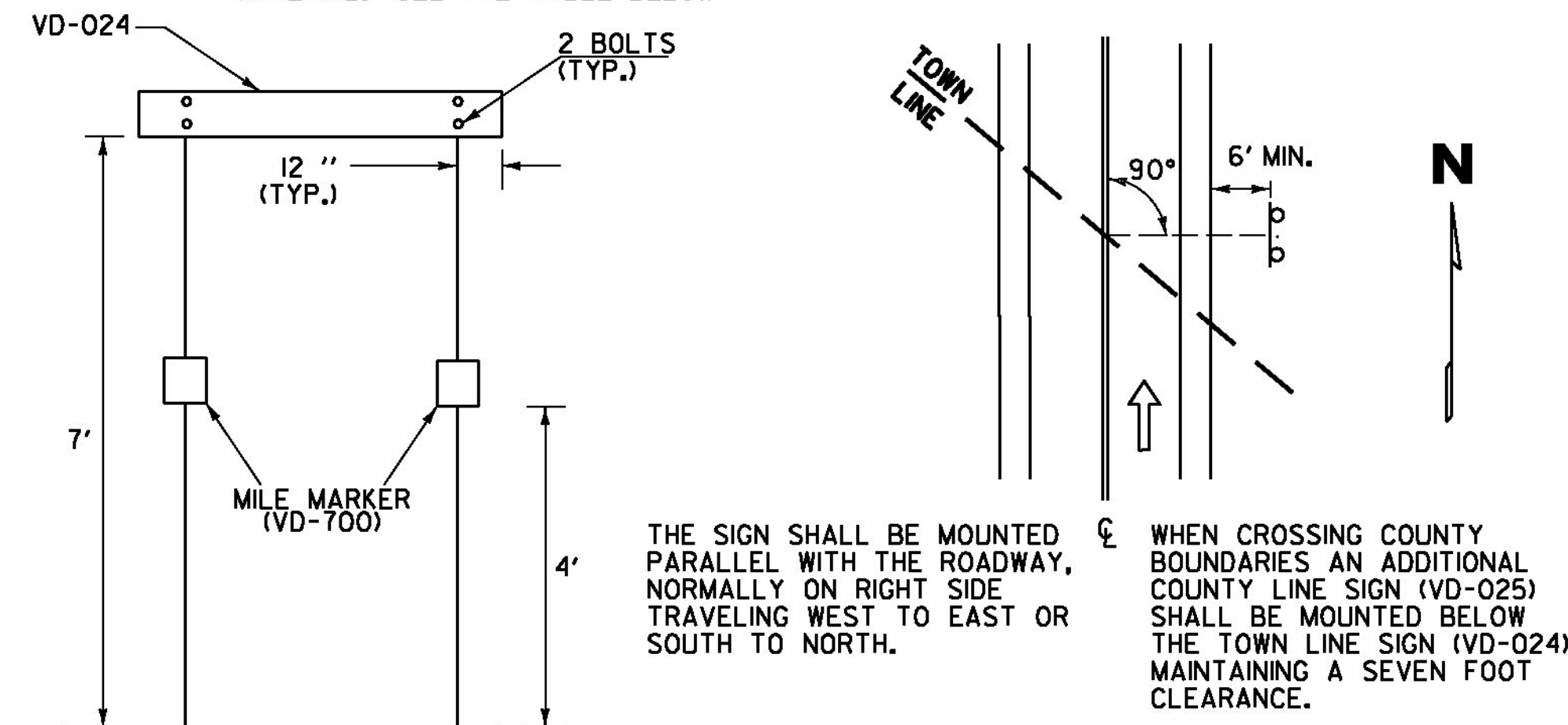
VD-024

LOCATION: SWANTON STA. 429+58.08, RT / HIGHGATE STA. 0+00, RT
 COLOR: WHITE DIVIDER AND TEXT (RETROREFLECTIVE)
 GREEN BACKGROUND (RETROREFLECTIVE)
 MATERIAL: SEE THE TABLE BELOW



VD-024

LOCATION: HIGHGATE STA. 408+19.43, RT / SHELDON STA. 0+00, RT
 COLOR: WHITE DIVIDER AND TEXT (RETROREFLECTIVE)
 GREEN BACKGROUND (RETROREFLECTIVE)
 MATERIAL: SEE THE TABLE BELOW



TOWN LINE SIGN NOTES:

- WORD TO WORD SPACING FOR MULTIPLE TEXT TOWN NAMES IS ADJUSTABLE TO ACCOMMODATE DIMENSION REQUIREMENTS.
- DIMENSIONS SHOWN ARE APPROXIMATE AND MAY BE ADJUSTED SLIGHTLY TO ACCOMMODATE VARIOUS MANUFACTURER'S LETTER WIDTHS.
- ALL DIMENSIONS ARE IN INCHES EXCEPT WHERE NOTED.
- THE SIGN BASE MATERIAL SHALL BE FLAT SHEET ALUMINUM 0.125" MINIMUM THICKNESS. THE RETROREFLECTIVE MATERIAL SHALL BE SHEETING APPLIED TO THE ENTIRE BACKGROUND OF THE SIGN. THE LEGEND SHALL BE CUT-OUT RETROREFLECTIVE LEGEND. ALL RETROREFLECTIVE MATERIAL SHALL BE EQUAL TO OR EXCEEDING THE "THE AMERICAN SOCIETY OF TESTING AND MATERIALS" (ASTM) D 4956 TYPE III.
- SIGNS SHALL HAVE A RETROREFLECTIVE WHITE LEGEND ON A RETROREFLECTIVE GREEN BACKGROUND.
- LEGEND SHALL CONFORM WITH THE STANDARD ALPHABETS FOR HIGHWAY SIGNS APPROVED BY THE NATIONAL JOINT COMMITTEE ON UNIFORM TRAFFIC CONTROL DEVICES.

NOT TO SCALE

TRAFFIC SIGN DETAIL SHEET #8	PROJECT NAME: SWANTON-SHELDON	PLOT DATE: 4/24/2014
	PROJECT NUMBER: STP 2715(I)	DRAWN BY: G. BARRETT
	FILE NAME: p07cl86.dgn	CHECKED BY: M. FOISY
	PROJECT LEADER: G. EDWARDS	SHEET 119 OF 121
	DESIGNED BY: G. BARRETT	

