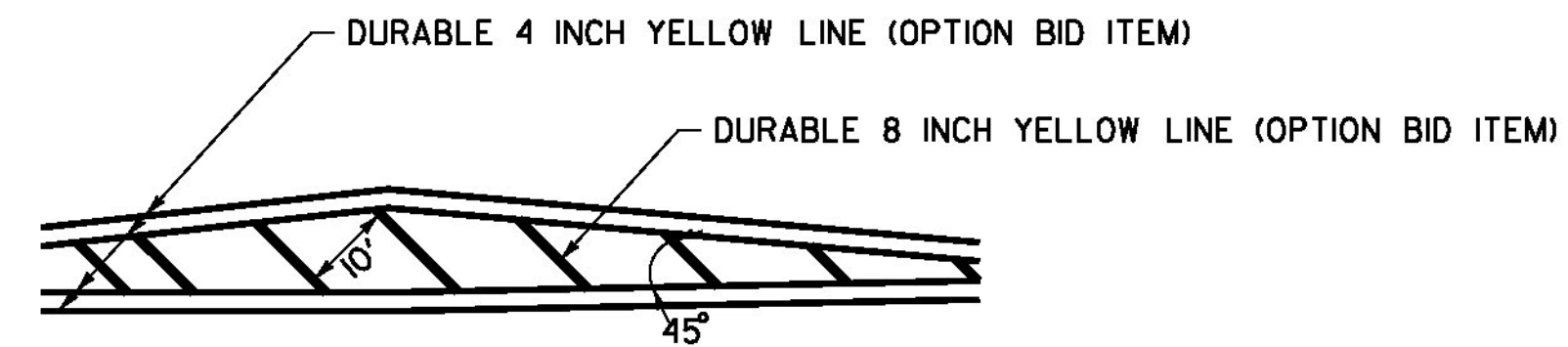


• ADJUST SPACING ((2'-24") TO AVOID WHEEL PATHS

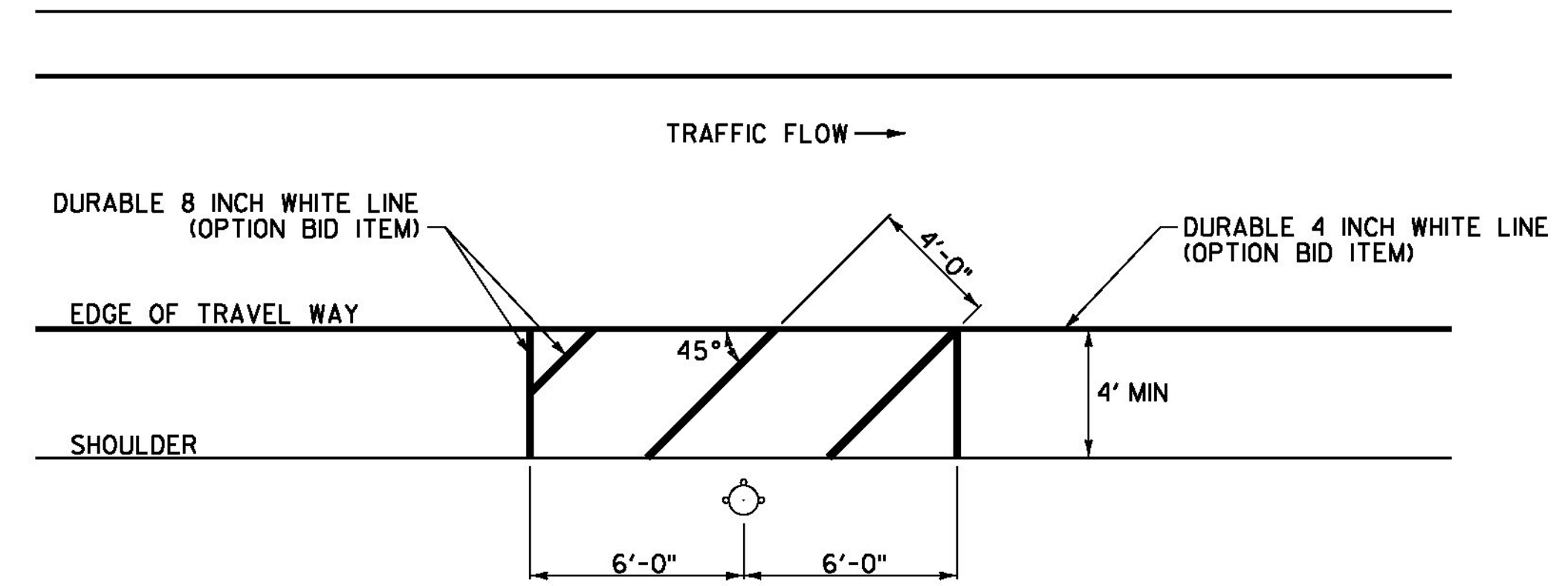
BLOCK PATTERN CROSSWALK DETAIL

SEE LAYOUT SHEETS FOR LOCATIONS.
ALL BLOCK PATTERN CROSS WALKS SHALL BE
INSTALLED PARALLEL WITH WHEEL PATHS.



GORE MARKING DETAIL

SEE LAYOUT SHEETS FOR LOCATIONS



HYDRANT PAVEMENT MARKING DETAIL

SWANTON:
STA. 393+73, LT

HIGHGATE:
STA. 154+26, LT
STA. 318+34, RT

NOTE:

THE CONTRACTOR SHALL ADJUST THE PLACEMENT OF THE FIRE
HYDRANT PAVEMENT MARKINGS TO MEET THE EXISTING SITE
CONSTRAINTS AS DIRECTED BY THE ENGINEER.

NOT TO SCALE

**MISCELLANEOUS
DETAIL
SHEET #1**

PROJECT NAME: SWANTON-SHELDON
PROJECT NUMBER: STP 2715(I)

FILE NAME: p07cl86.dgn
PROJECT LEADER: G. EDWARDS
DESIGNED BY: G. BARRETT

PLOT DATE: 4/24/2014
DRAWN BY: G. BARRETT
CHECKED BY: M. FOISY
SHEET 16 OF 121

