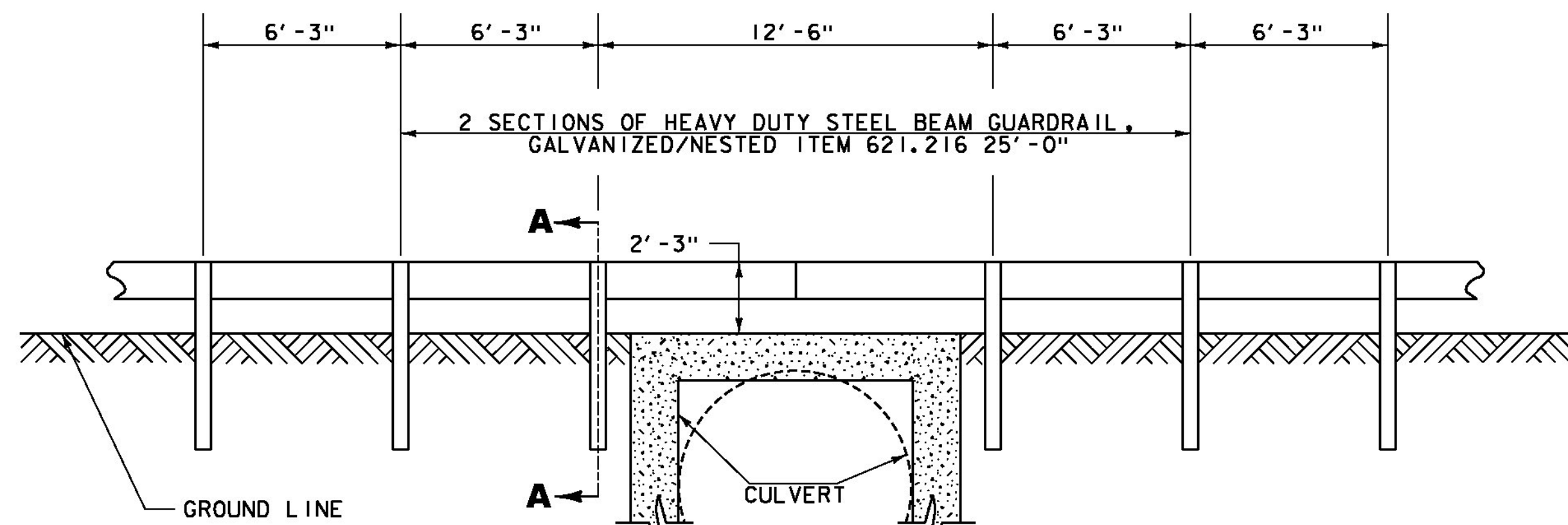
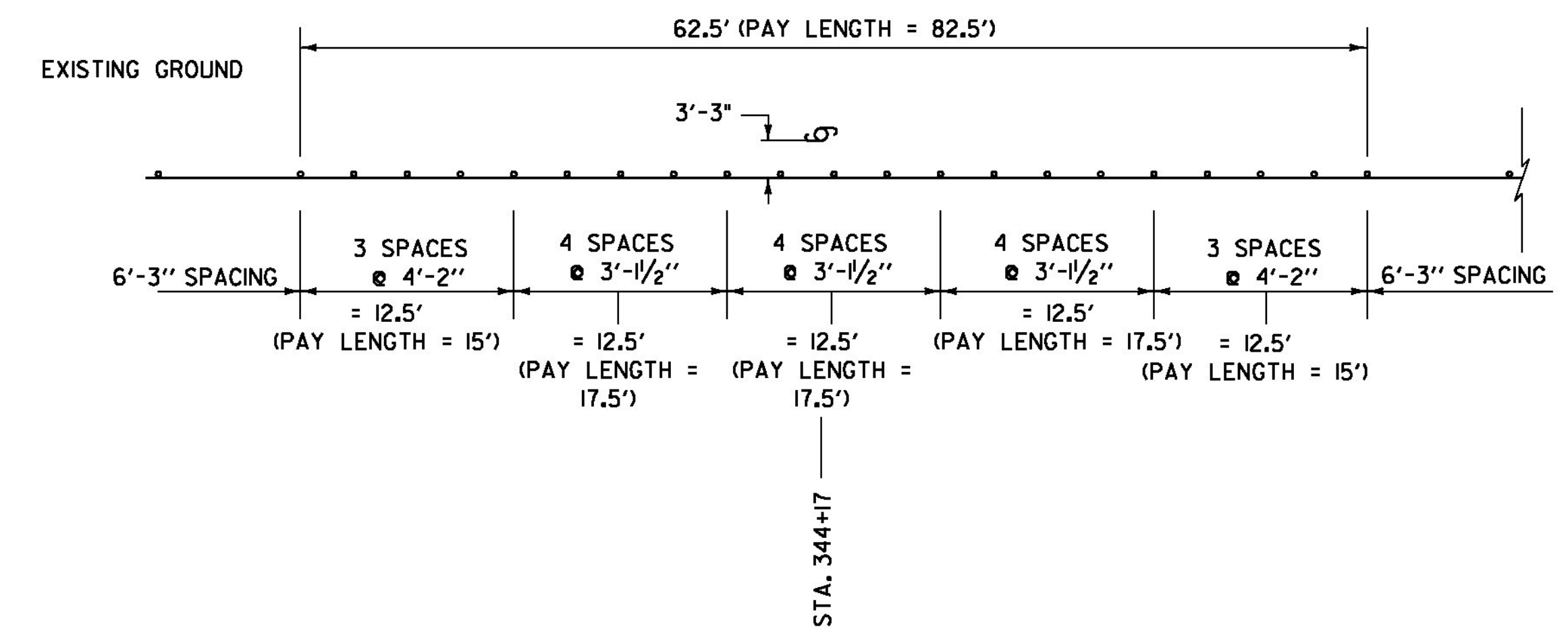


**REDUCED GUARDRAIL POST SPACING DETAIL #1**

LOCATION:  
HIGHGATE STA. 341+10, RT - TREE  
HIGHGATE STA. 341+88, RT - UTILITY POLE



**DETAIL OF STEEL BEAM GUARDRAIL AT SMALL CULVERTS**  
SHELDON STA. 31+71, LT & RT (BRIDGE #14)

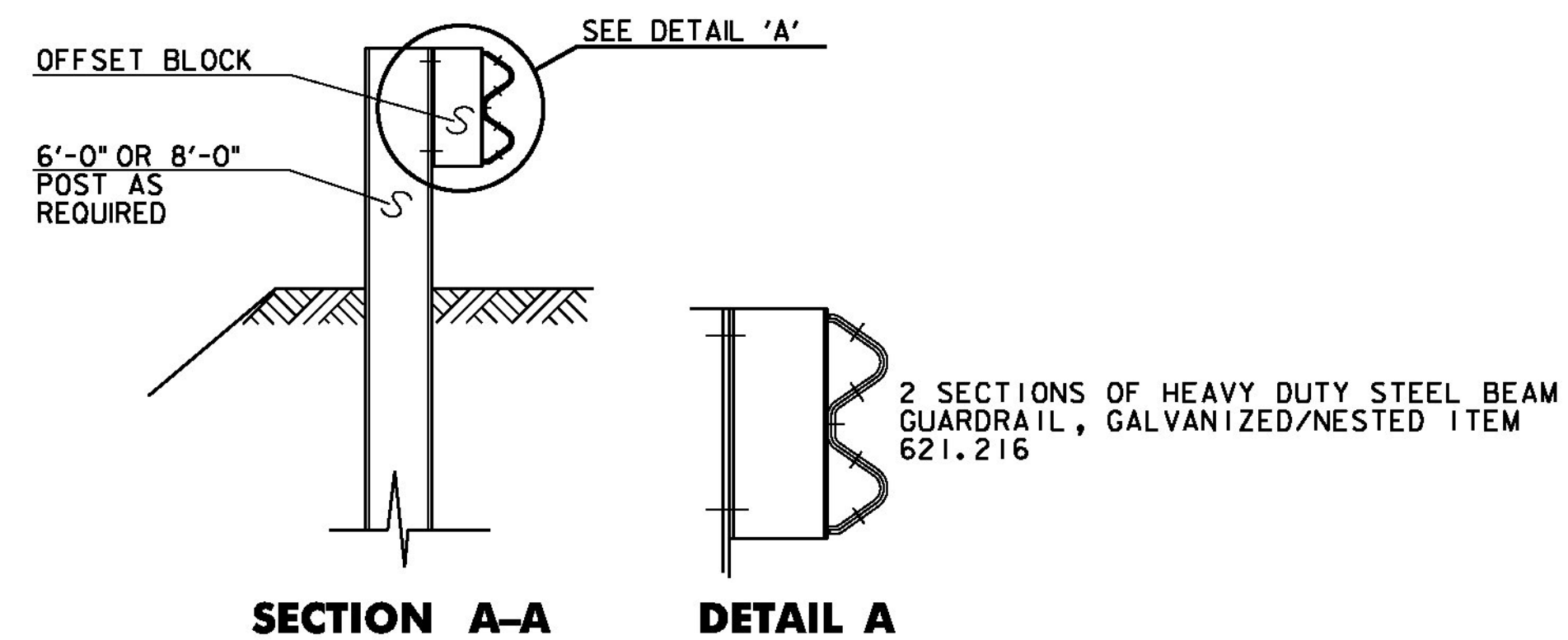


**REDUCED GUARDRAIL POST SPACING DETAIL #2**

LOCATION:  
HIGHGATE STA. 344+17, RT - UTILITY POLE

**NOTES**

1. SEE STANDARDS G-1 & G-ID FOR STEEL BEAM GUARDRAIL DETAILS.
2. THIS WORK SHALL BE PAID UNDER ITEM 621.216 HEAVY DUTY STEEL BEAM GUARDRAIL, GALVANIZED/ NESTED AT A PAY FACTOR OF 1.0.
3. THIS DETAIL TO BE USED AS INDICATED ON THE ITEM DETAIL SUMMARY SHEETS OR AS DIRECTED BY THE ENGINEER.



NOT TO SCALE

**GUARDRAIL  
DETAIL  
SHEET**

PROJECT NAME: SWANTON-SHELDON  
PROJECT NUMBER: STP 2715(I)

FILE NAME: p07cl86.dgn  
PROJECT LEADER: G. EDWARDS  
DESIGNED BY: G. BARRETT

PLOT DATE: 4/24/2014  
DRAWN BY: G. BARRETT  
CHECKED BY: M. FOISY  
SHEET 14 OF 121

