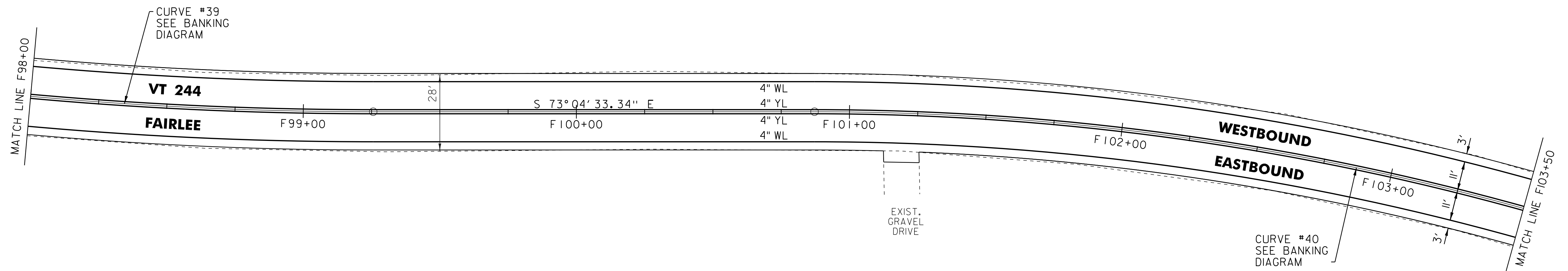
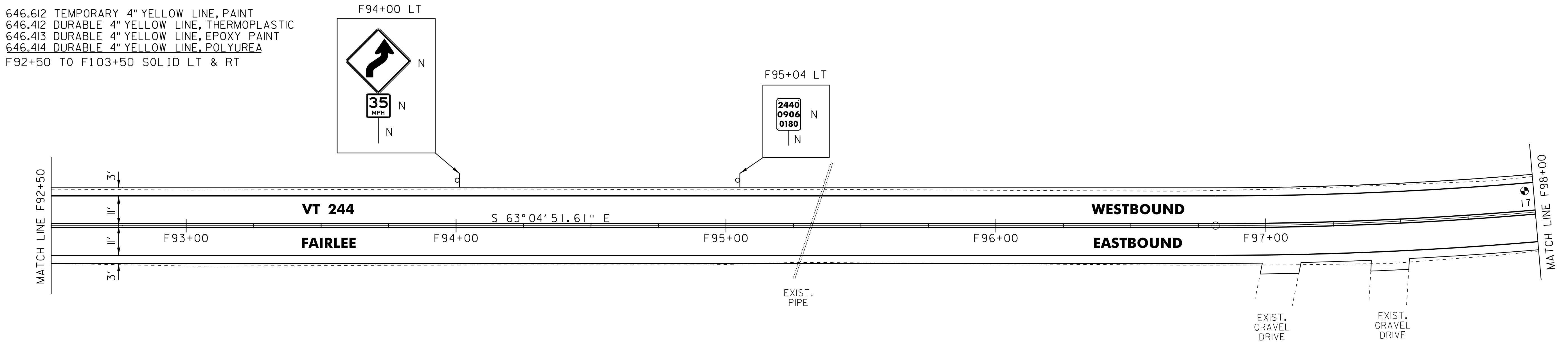


646.602 TEMPORARY 4" WHITE LINE, PAINT
 646.402 DURABLE 4" WHITE LINE, THERMOPLASTIC
 646.403 DURABLE 4" WHITE LINE, EPOXY PAINT
 646.404 DURABLE 4" WHITE LINE, POLYUREA

F92+50 TO F103+50 SOLID LT
 F92+50 TO F103+50 SOLID RT

646.612 TEMPORARY 4" YELLOW LINE, PAINT
 646.412 DURABLE 4" YELLOW LINE, THERMOPLASTIC
 646.413 DURABLE 4" YELLOW LINE, EPOXY PAINT
 646.414 DURABLE 4" YELLOW LINE, POLYUREA
 F92+50 TO F103+50 SOLID LT & RT



PAVEMENT CORES (IN TRAVEL WAY)

#	STA	DEPTH	PCC
17	F97+94	8.75"	NO

NOT TO SCALE

LEGEND

- R = REMOVE EXISTING
- S = SALVAGE
- R&S = REMOVE AND SALVAGE
- N = NEW
- RET = RETAIN
- B-B = BACK TO BACK
- = EXISTING GUARDRAIL
- = PROPOSED GUARDRAIL
- YL = YELLOW LINE
- WL = WHITE LINE
- = DELINEATOR
- ⊙ = PAVEMENT CORE

ROADWAY LAYOUT 29

PROJECT NAME: THETFORD-FAIRLEE

PROJECT NUMBER: STP 2710(I)

FILE NAME: /pave/07cl84/pcl84

PROJECT LEADER: PTS

DESIGNED BY: NLL

IPARM FILE NAME: 07CI84_48

PLOT DATE: 14-OCT-2013 16:35

DRAWN BY: SNG

CHECKED BY: DAM/PTS

SHEET 47 OF 77