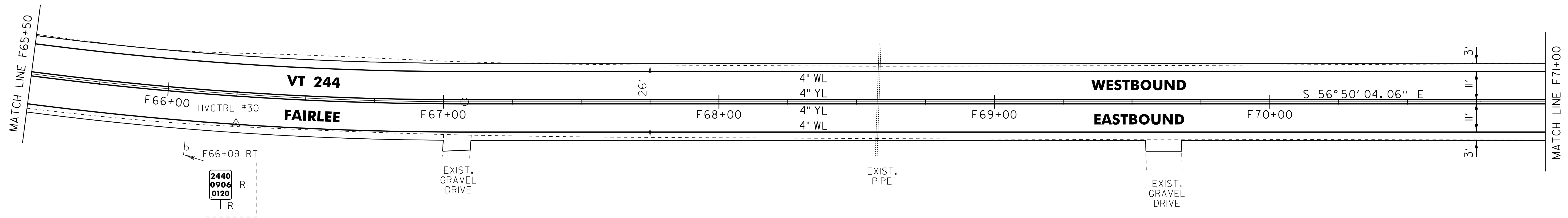
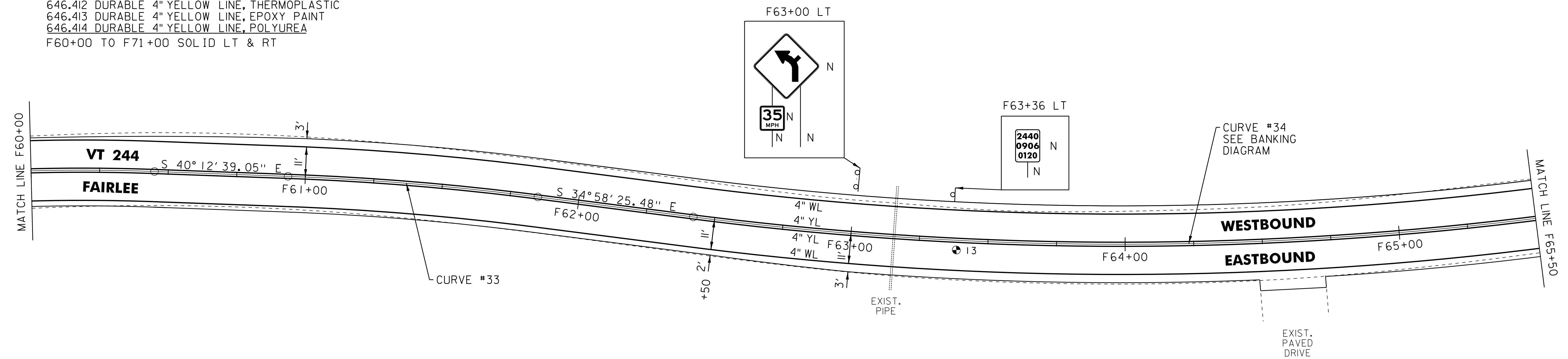


646.602 TEMPORARY 4" WHITE LINE, PAINT  
 646.402 DURABLE 4" WHITE LINE, THERMOPLASTIC  
 646.403 DURABLE 4" WHITE LINE, EPOXY PAINT  
 646.404 DURABLE 4" WHITE LINE, POLYUREA  
 F60+00 TO F71+00 SOLID LT  
 F60+00 TO F71+00 SOLID RT

646.612 TEMPORARY 4" YELLOW LINE, PAINT  
 646.412 DURABLE 4" YELLOW LINE, THERMOPLASTIC  
 646.413 DURABLE 4" YELLOW LINE, EPOXY PAINT  
 646.414 DURABLE 4" YELLOW LINE, POLYUREA  
 F60+00 TO F71+00 SOLID LT & RT

675.50 REMOVING SIGNS  
 AS SHOWN - 1  
 ENVIRONMENTALLY SENSITIVE LOCATION  
 F60+00 TO F71+00 LT  
 (FORESTED/SCRUB SHRUB/EMERGENT)



PAVEMENT CORES ( IN TRAVEL WAY)

#	STA	DEPTH	PCC
13	F63+36	8.25'	N0

LEGEND

- R = REMOVE EXISTING
- S = SALVAGE
- R&S = REMOVE AND SALVAGE
- N = NEW
- RET = RETAIN
- B-B = BACK TO BACK
- = EXISTING GUARDRAIL
- = PROPOSED GUARDRAIL
- YL = YELLOW LINE
- WL = WHITE LINE
- = DELINEATOR
- ⊙ = PAVEMENT CORE

**ROADWAY LAYOUT 26**

PROJECT NAME: THETFORD-FAIRLEE

PROJECT NUMBER: STP 2710(I)

FILE NAME: /pave/07cl84/pci84

PROJECT LEADER: PTS

DESIGNED BY: NLL

IPARM FILE NAME: 07CI84\_45

PLOT DATE: 14-OCT-2013 16:35

DRAWN BY: SNG

CHECKED BY: DAM/PTS

SHEET 44 OF 77

NOT TO SCALE