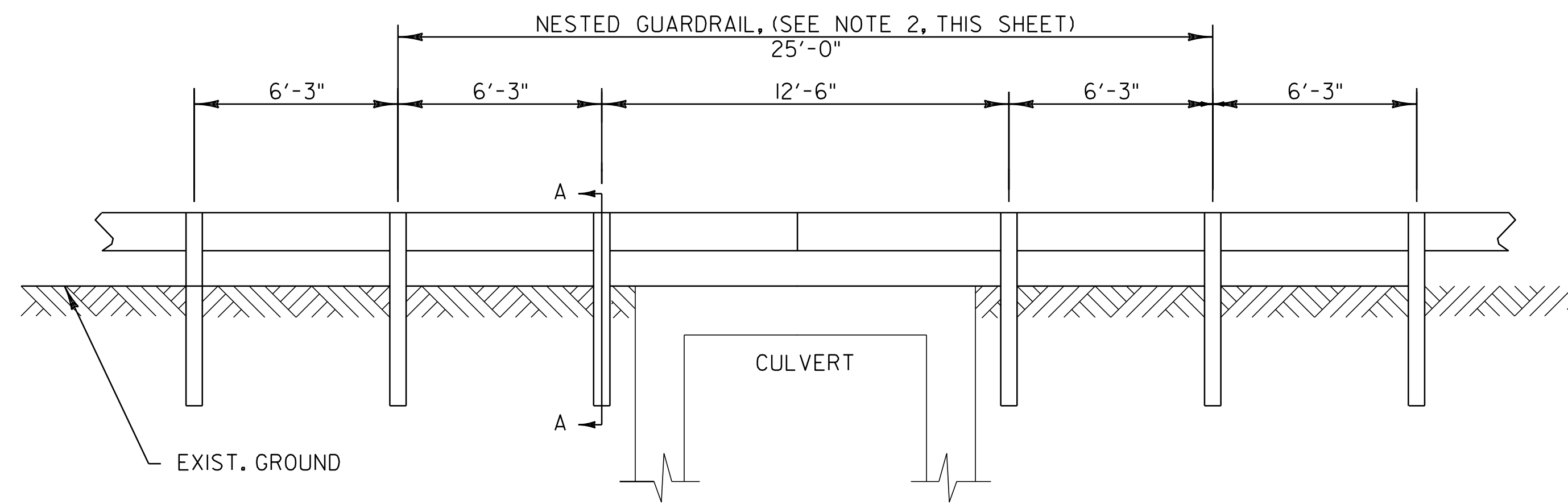


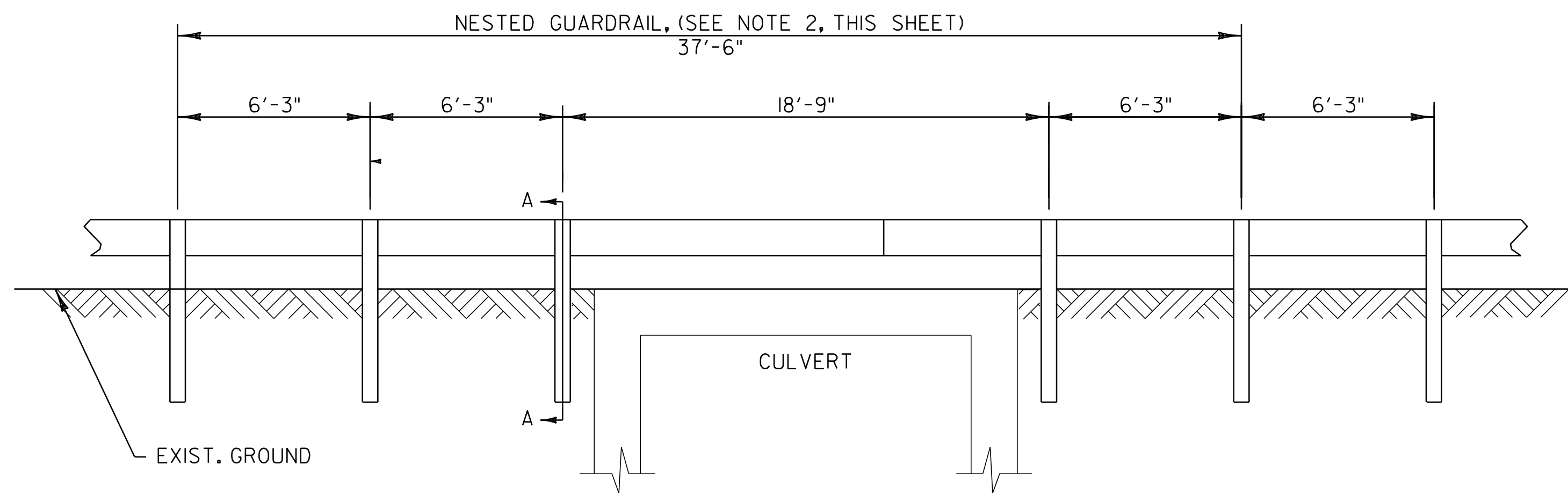
NOTES

1. SEE VAOT STANDARD G-1& G-1d FOR STEEL BEAM GUARDRAIL DETAILS.
2. THIS WORK SHALL BE PAID UNDER ITEM 621.206 STEEL BEAM GUARDRAIL, GALVANIZED/NESTED.
3. THIS DETAIL TO BE USED AS INDICATED ON THE ITEM DETAIL SHEET OR AS DIRECTED BY THE RESIDENT ENGINEER.



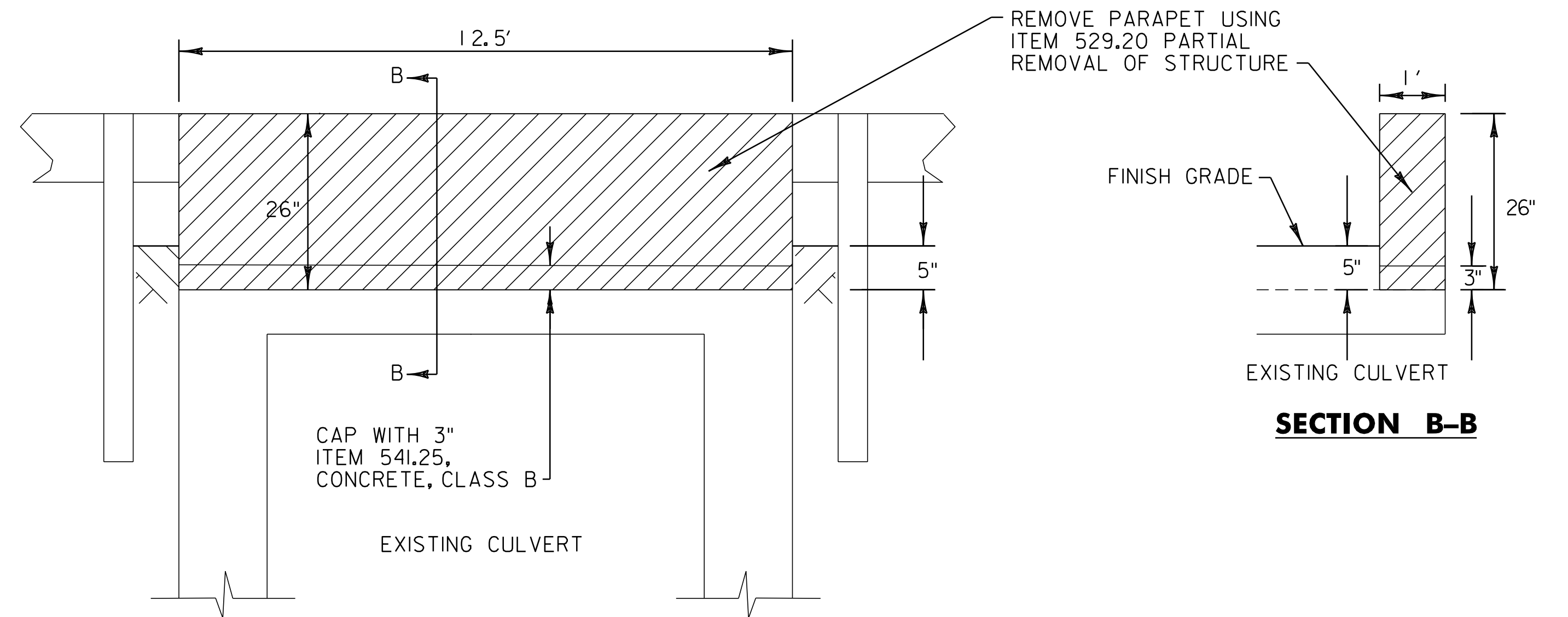
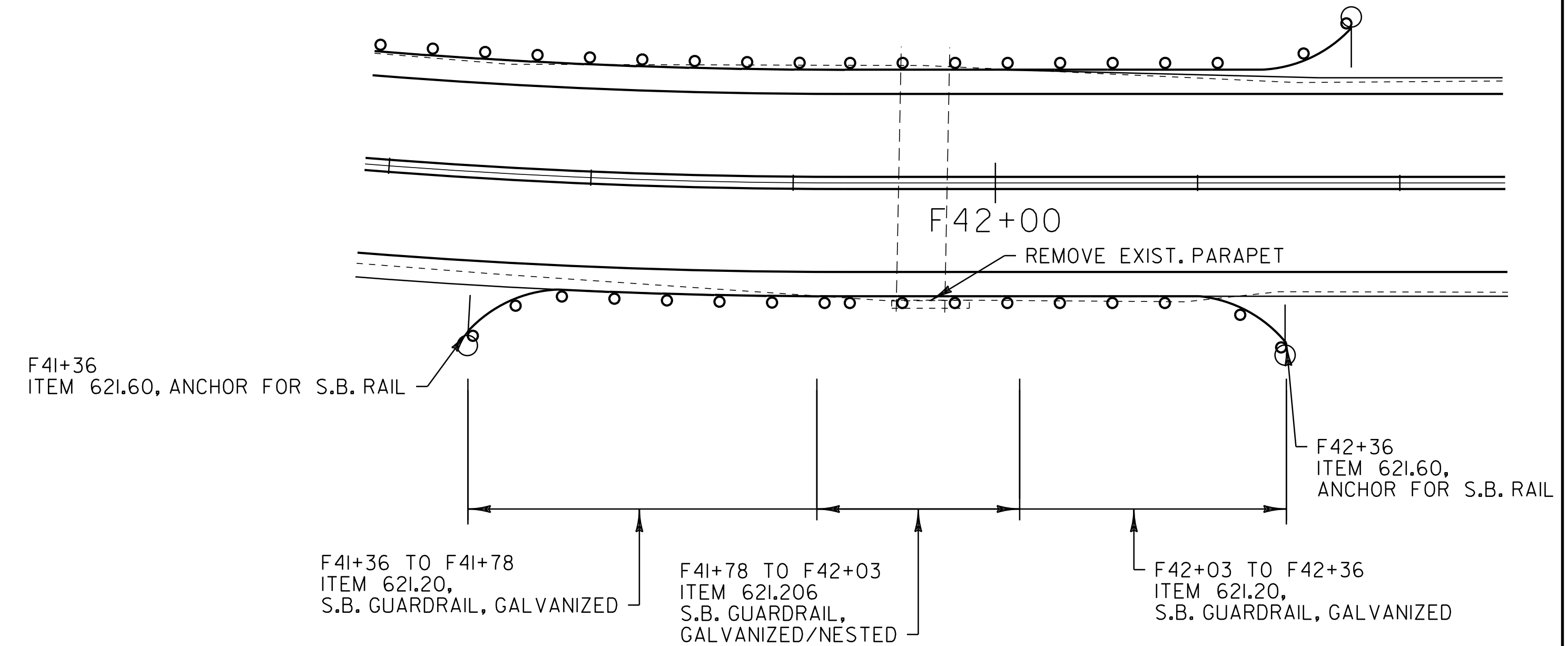
**DETAIL OF STEEL BEAM
GUARDRAIL AT SMALL CULVERTS**

BRIDGE #7
F41+91



**DETAIL OF STEEL BEAM
GUARDRAIL AT LARGE CULVERTS**

BRIDGE #9
F86+80



**BRIDGE #7 CONCRETE PARAPET
REMOVAL DETAIL**

BRIDGE DETAIL SHEET 3

PROJECT NAME: THETFORD-FAIRLEE

PROJECT NUMBER: STP 2710(I)

FILE NAME: /pave/07cl84/pci84

PLOT DATE: 14-OCT-2013 16:34

PROJECT LEADER: PTS

DRAWN BY: WWG

DESIGNED BY: NLL

CHECKED BY: PTS

IPARM FILE NAME: 07C184_II

SHEET 10 OF 77

NOT TO SCALE