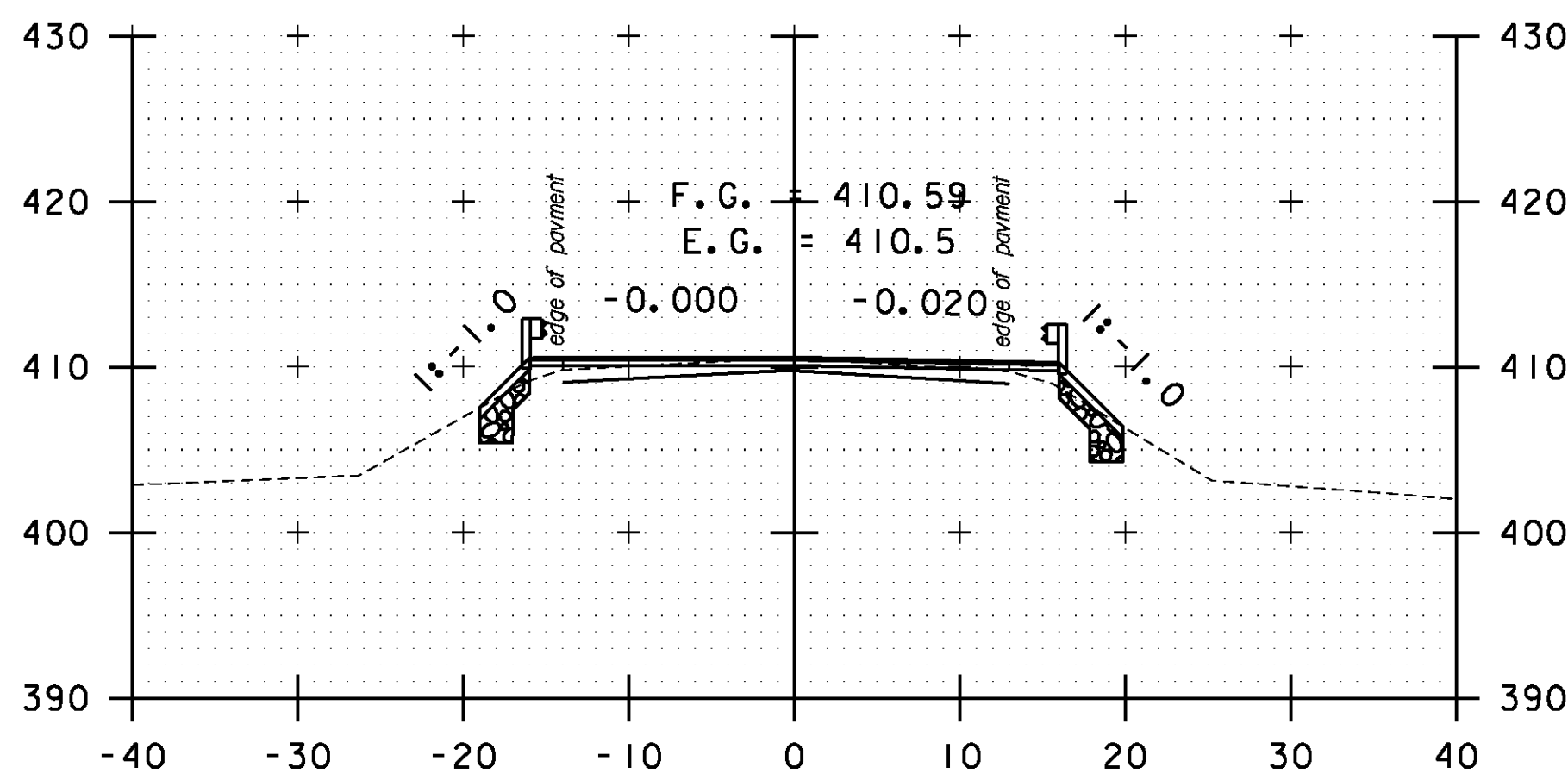
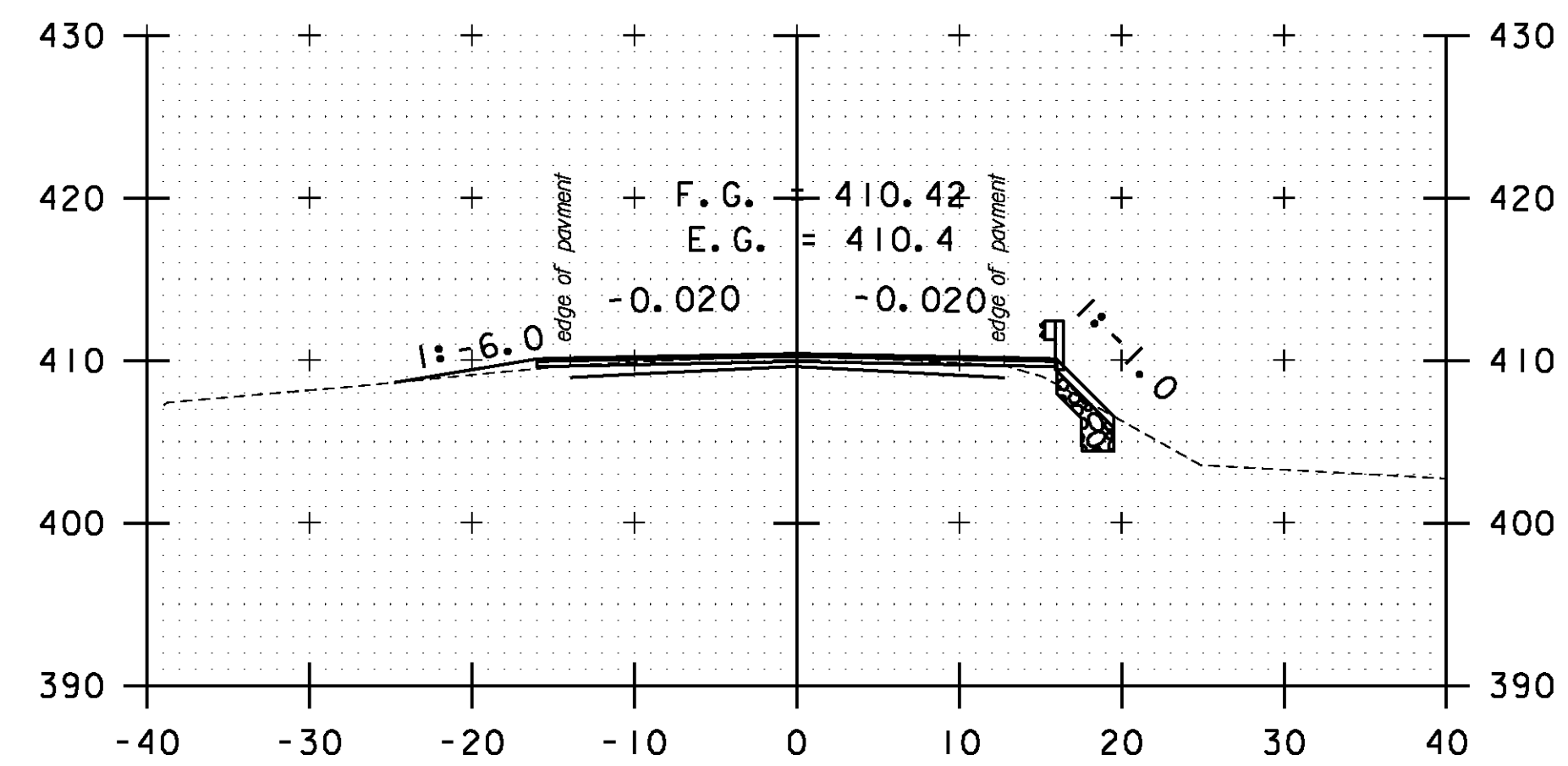


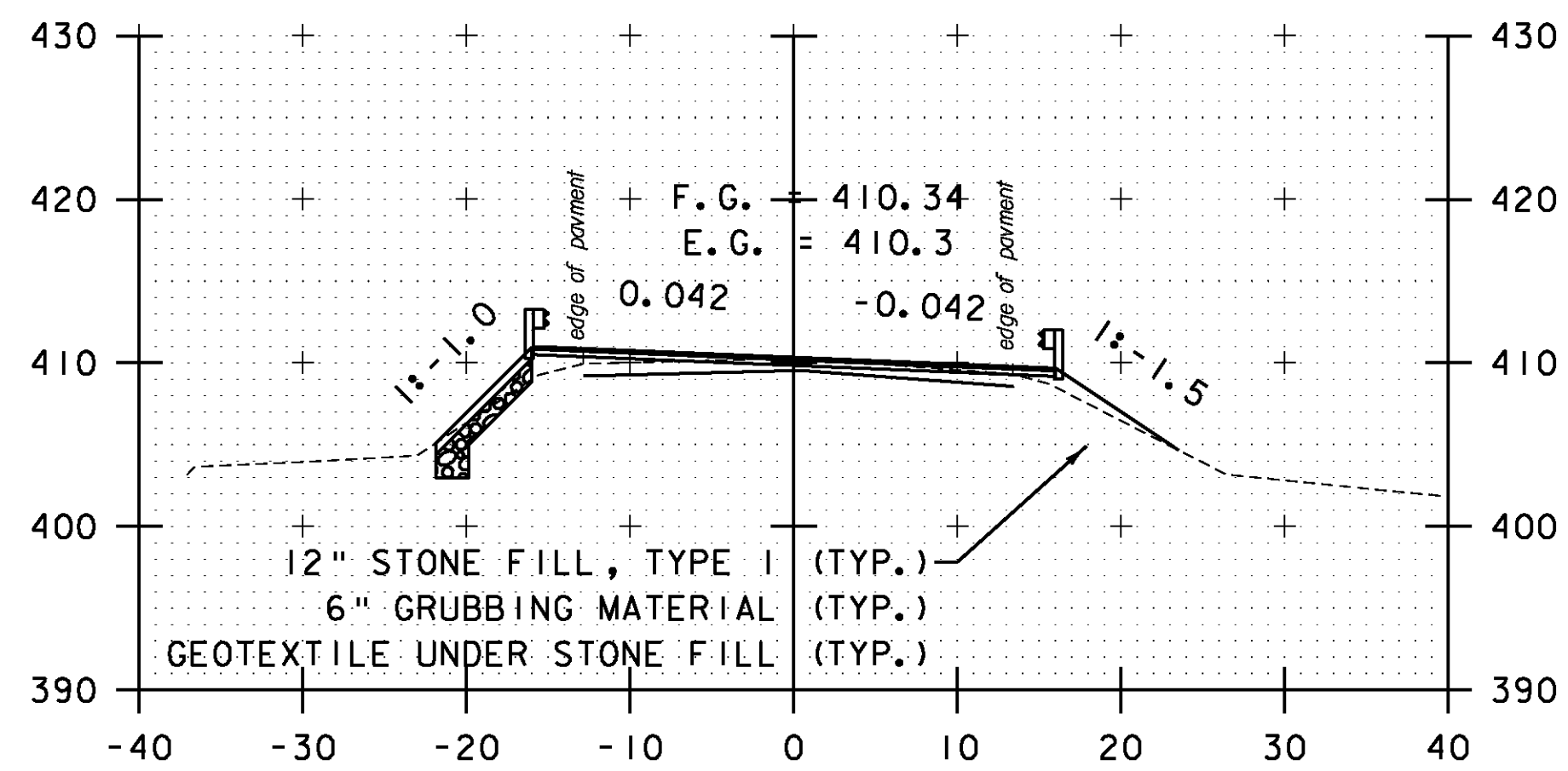
A 80+50



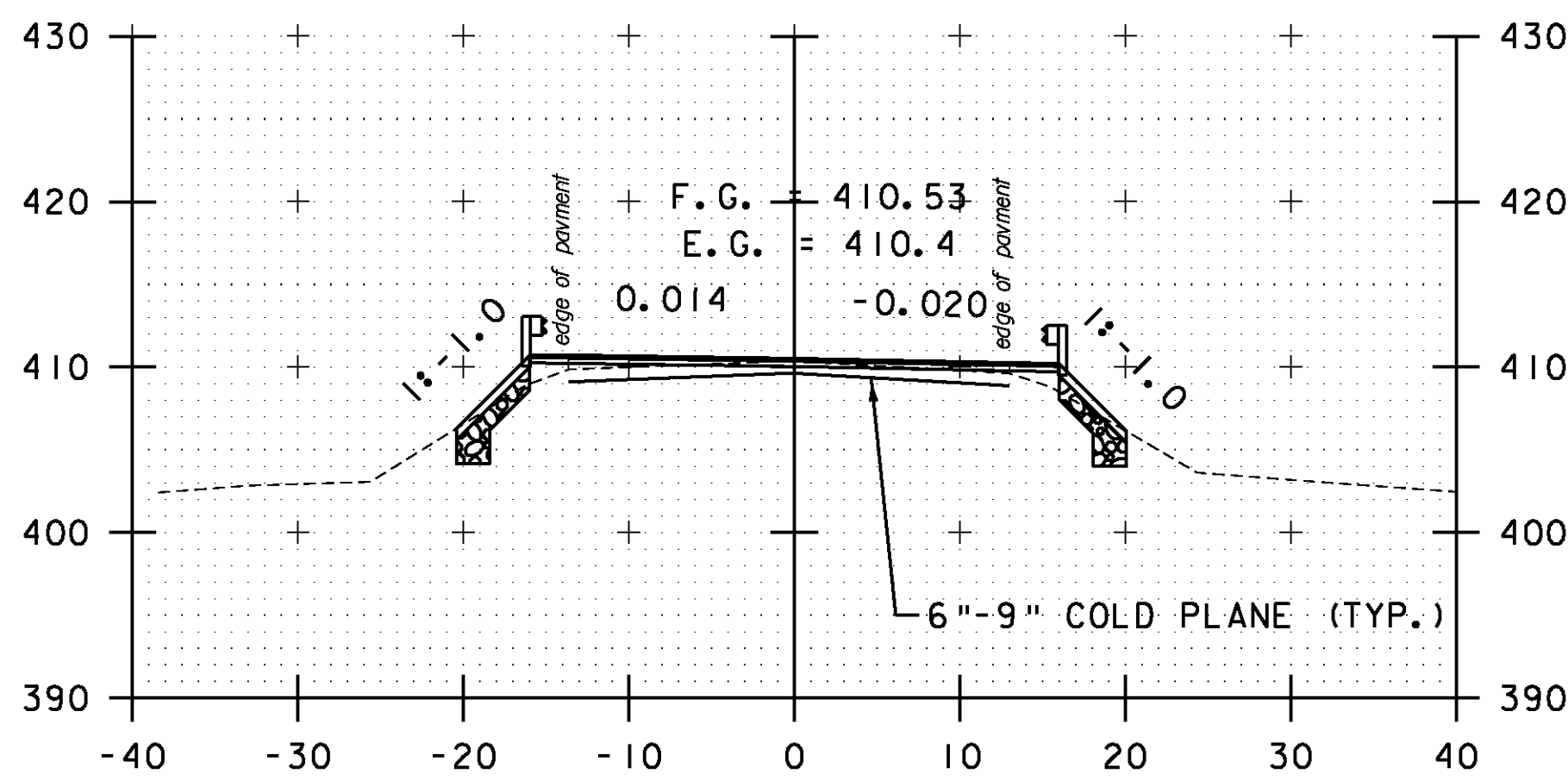
A 82+00



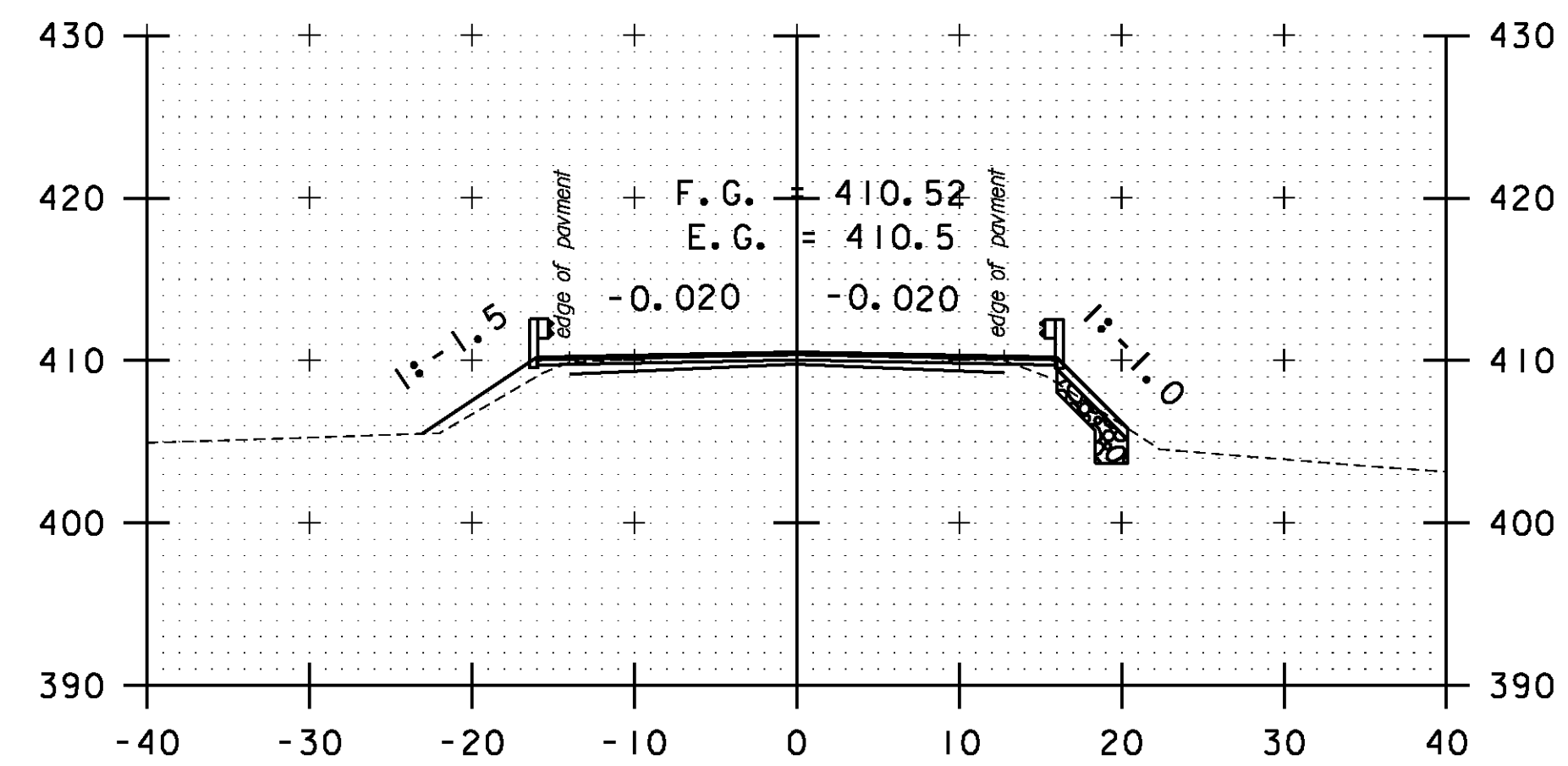
DRIVE LT  
A 83+50



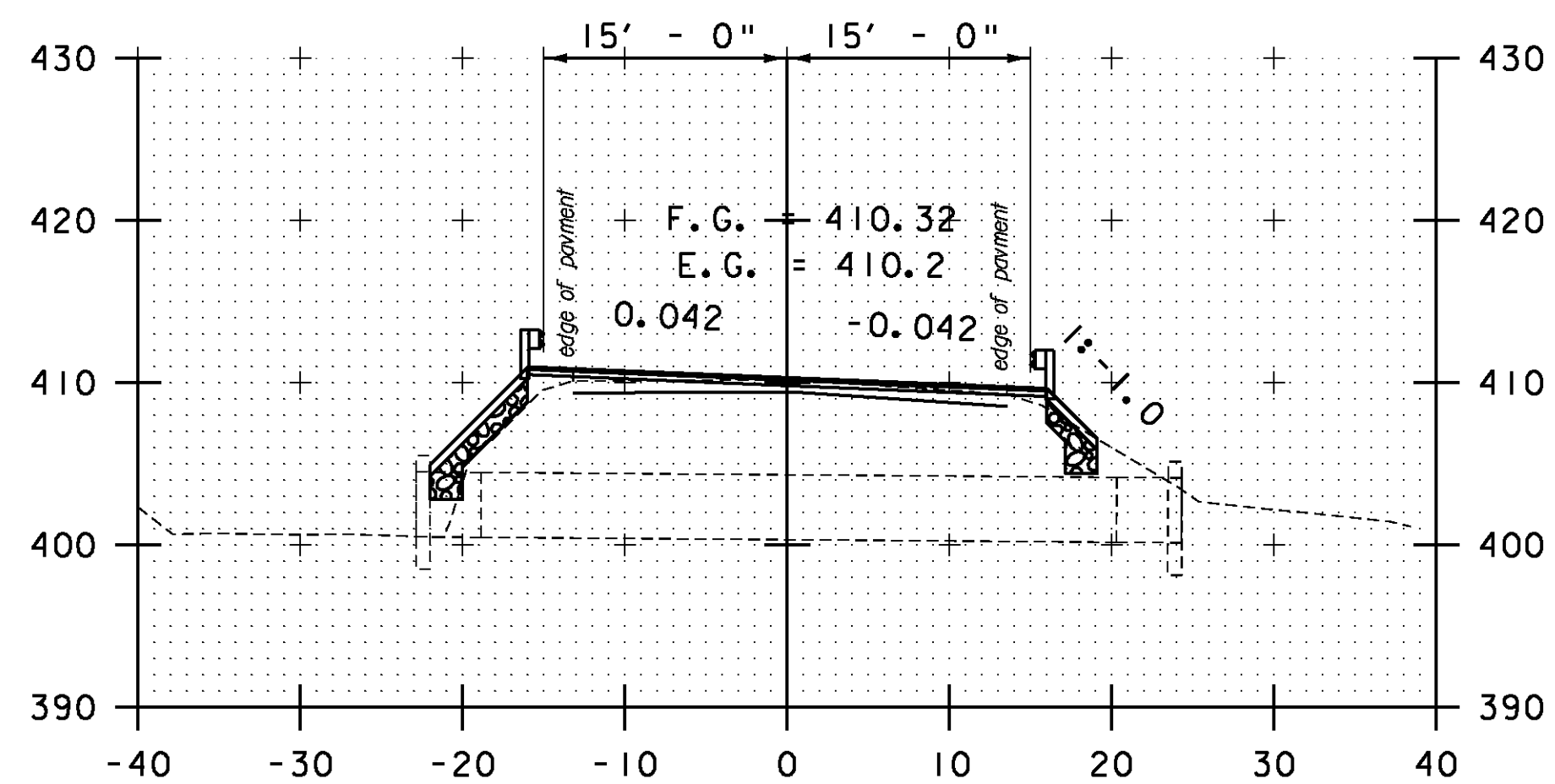
A 80+00



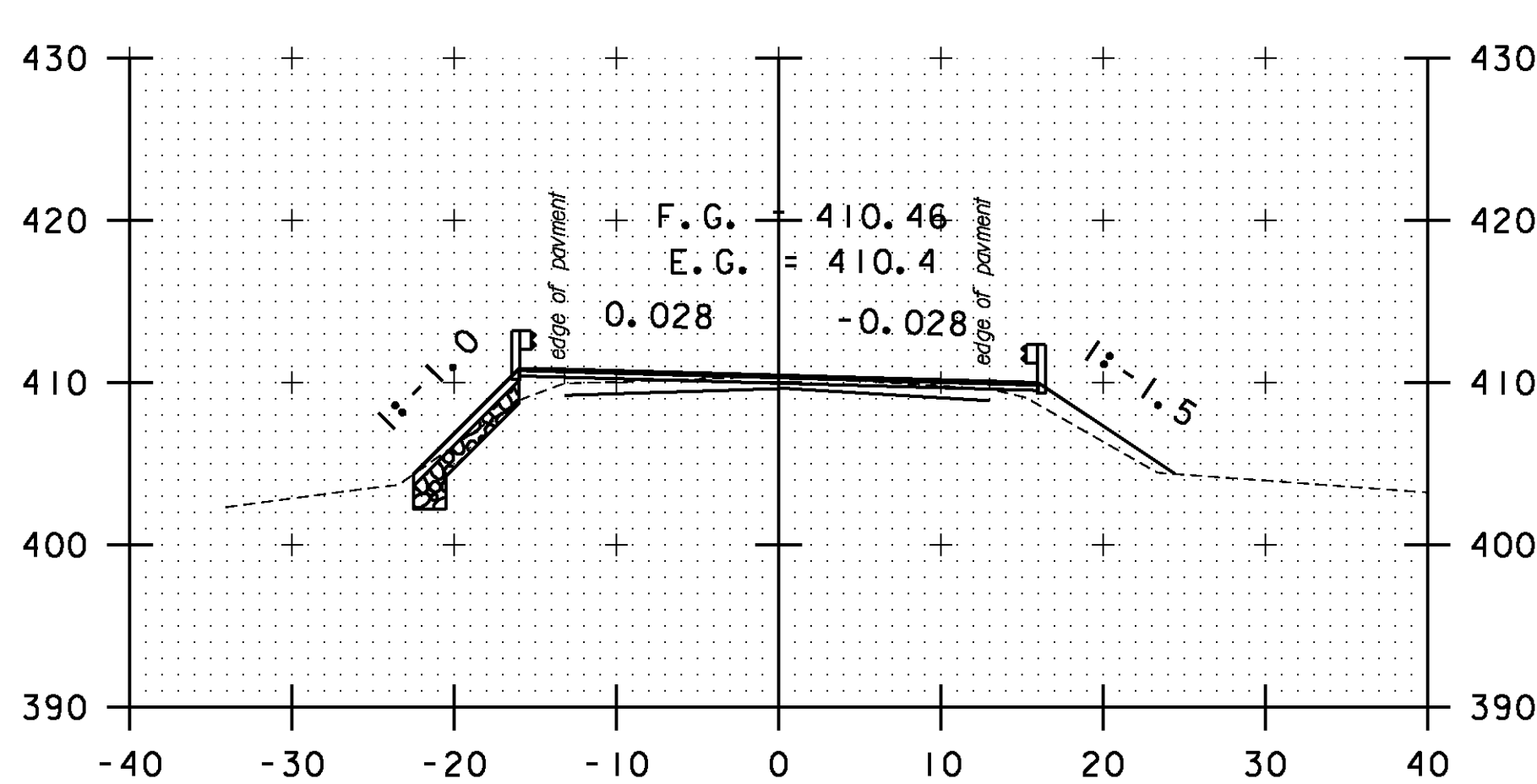
A 81+50



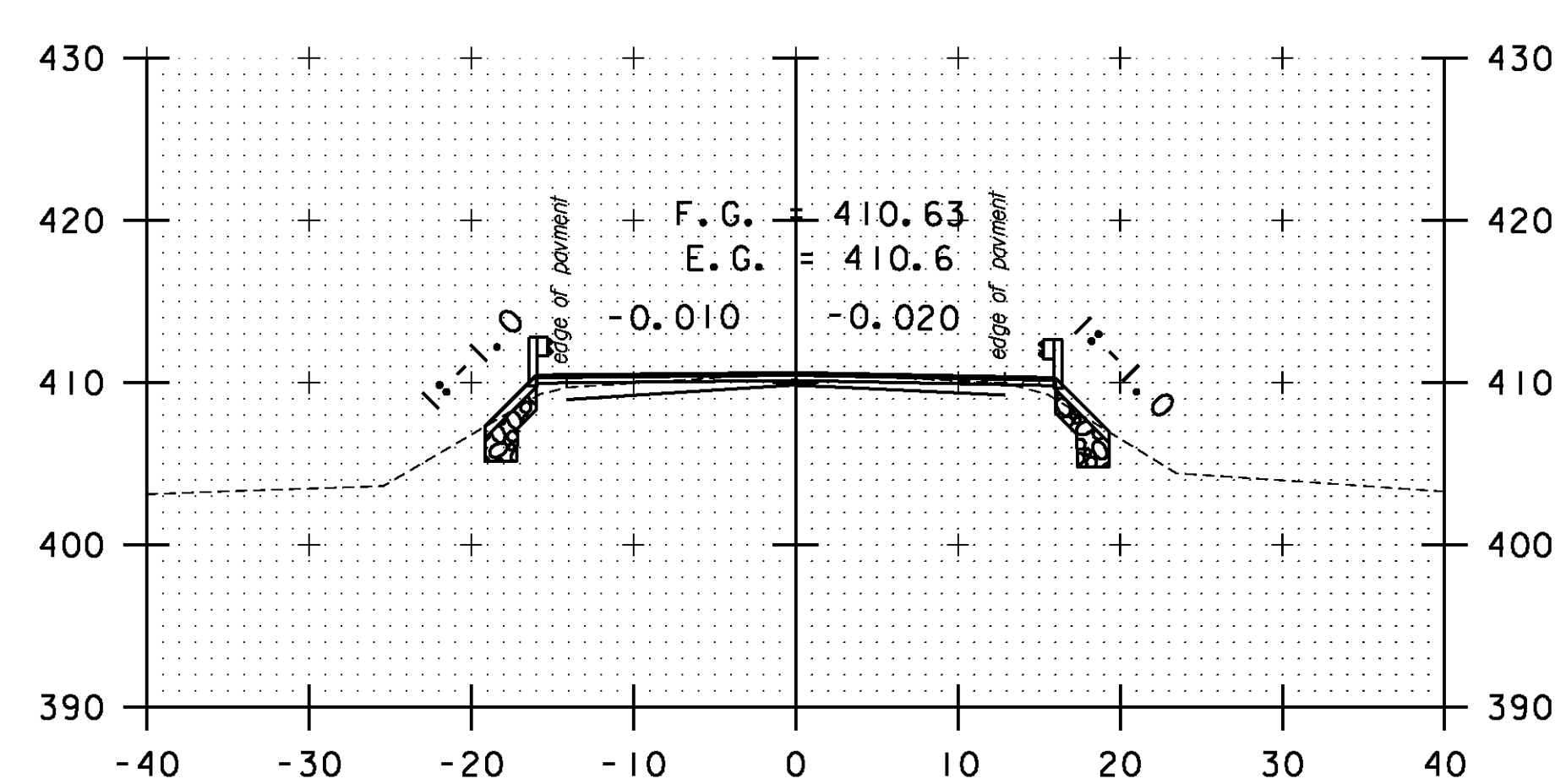
A 83+00



A 79+50

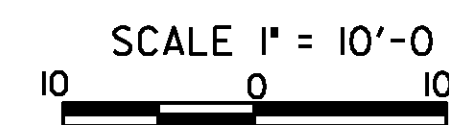


A 81+00



A 82+50

STA. A 79+50 TO STA. A 83+50



**CROSS SECTION SHEET 65**

PROJECT NAME: BOLTON-WATERBURY

PROJECT NUMBER: STP 2709(I)

FILE NAME: p07C172.dgn

PROJECT LEADER: CDL

DESIGNED BY: BMB

PLOT FILE: p07C172\_191.r

PLOT DATE: 4/16/2013

DRAWN BY: BMB

CHECKED BY: CDL

SHEET 191 OF 217