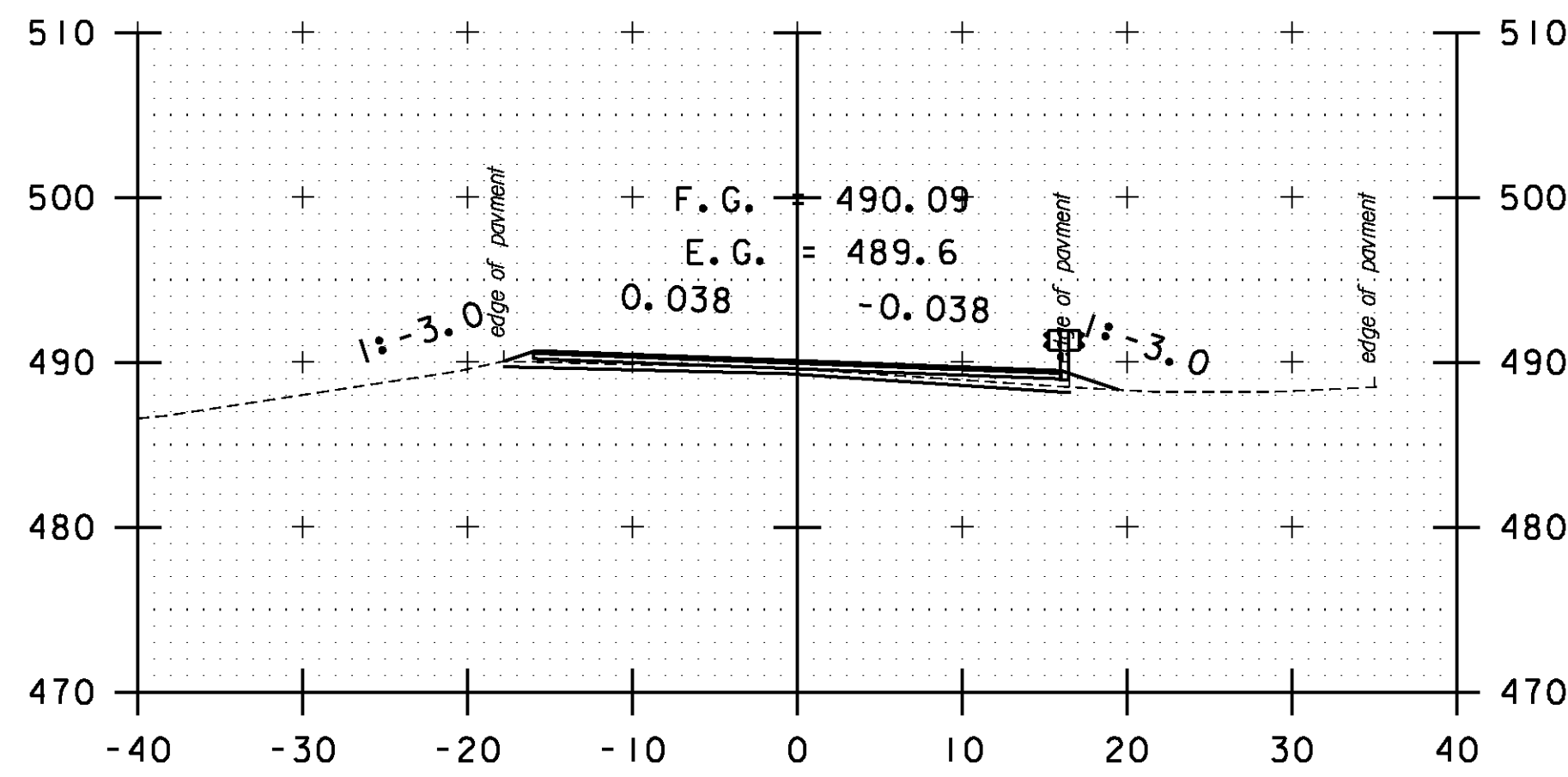
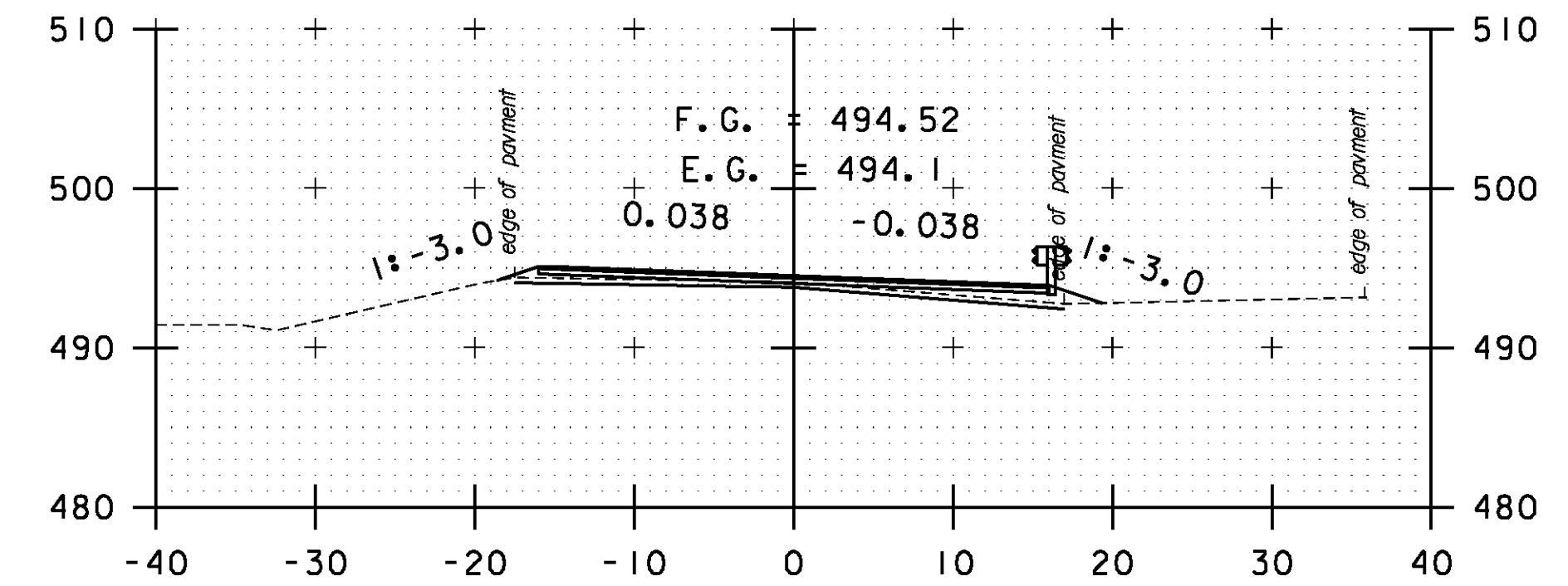


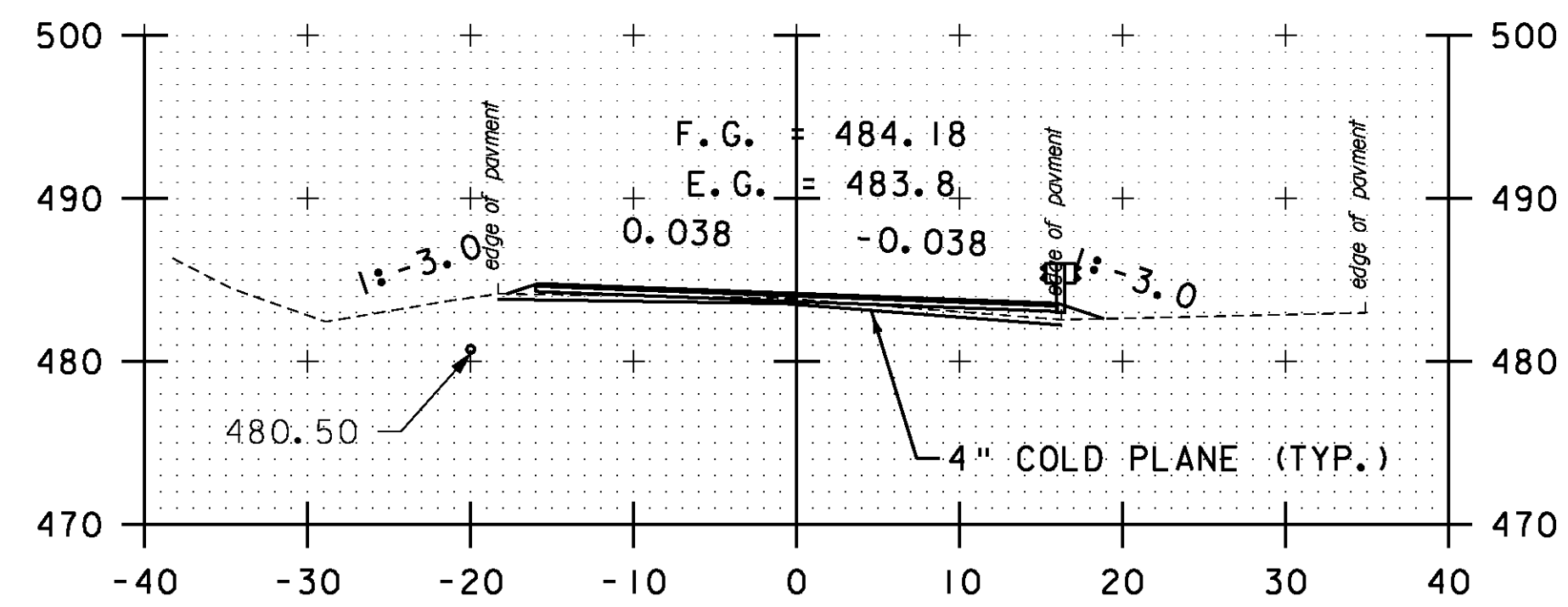
A 27+00



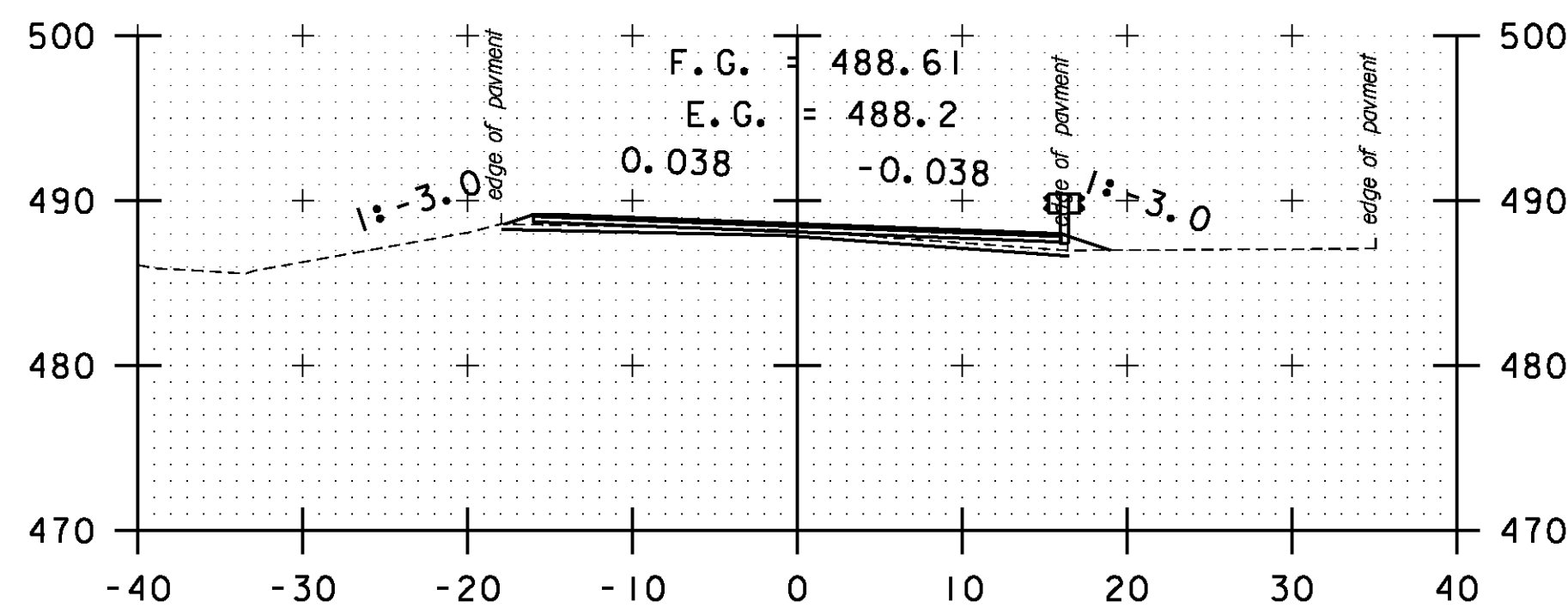
A 28+50



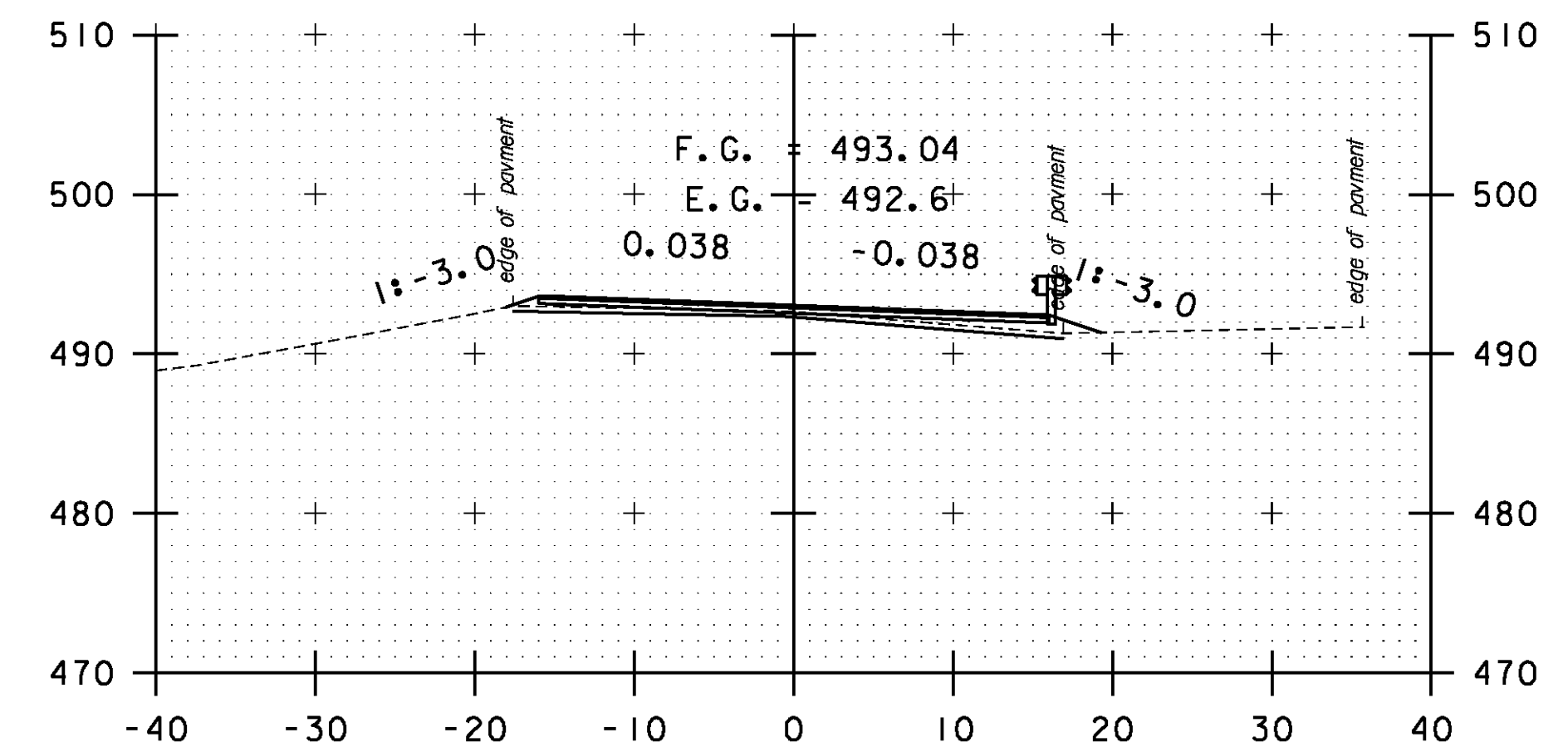
A 30+00



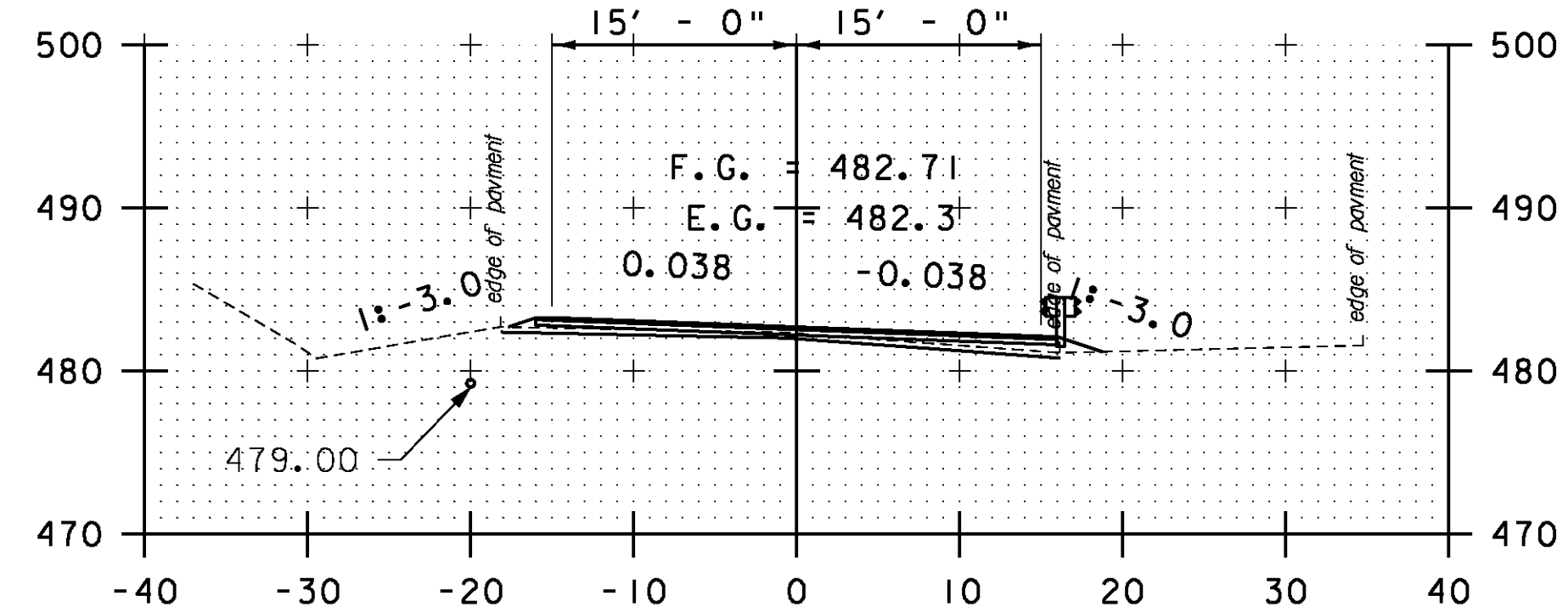
A 26+50



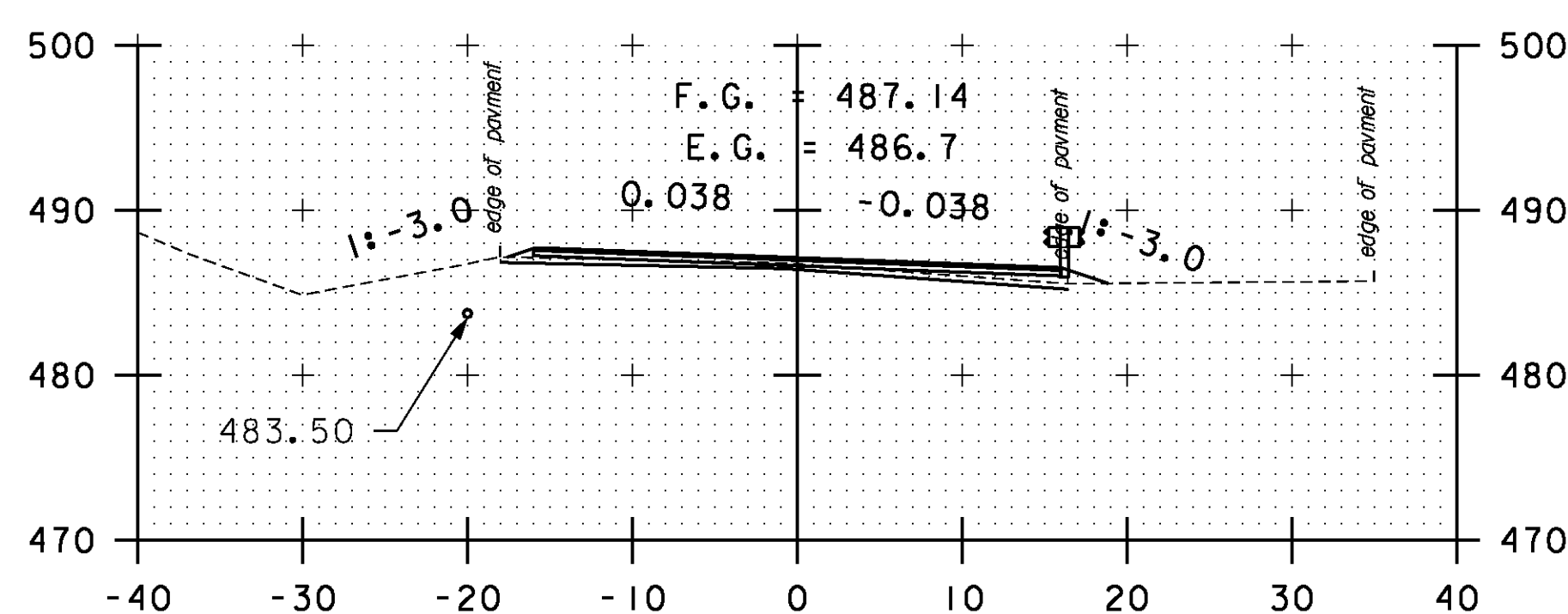
A 28+00



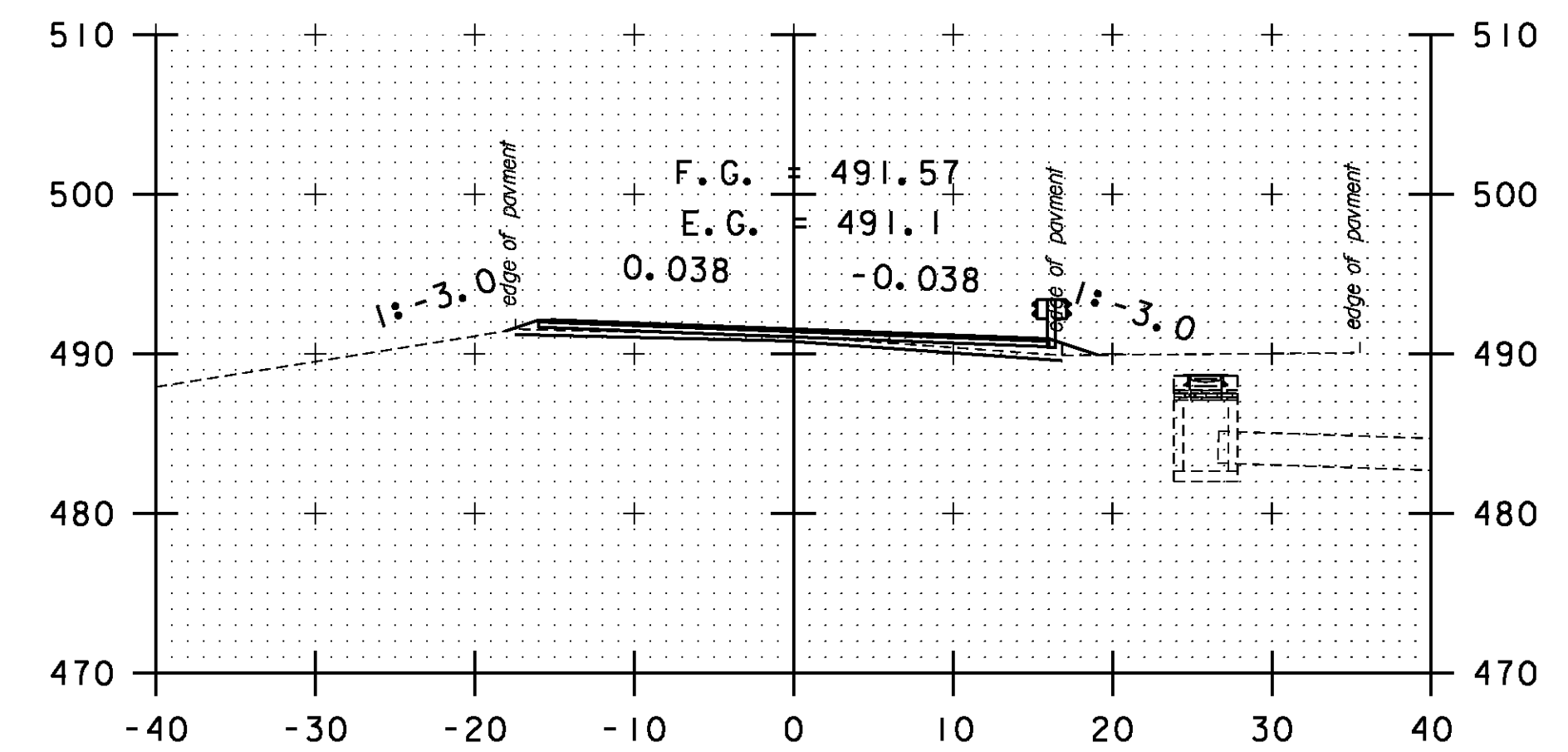
A 29+50



A 26+00



A 27+50



A 29+00

STA. A 26+00 TO STA. A 30+00

SCALE 1" = 10'-0"

CROSS SECTION SHEET 53

PROJECT NAME: BOLTON-WATERBURY
 PROJECT NUMBER: STP 2709(I)

FILE NAME: p07C172.dgn
 PROJECT LEADER: CDL
 DESIGNED BY: BMB
 PLOT FILE: p07C172_I79.1

PLOT DATE: 4/16/2013
 DRAWN BY: BMB
 CHECKED BY: CDL
 SHEET 179 OF 217