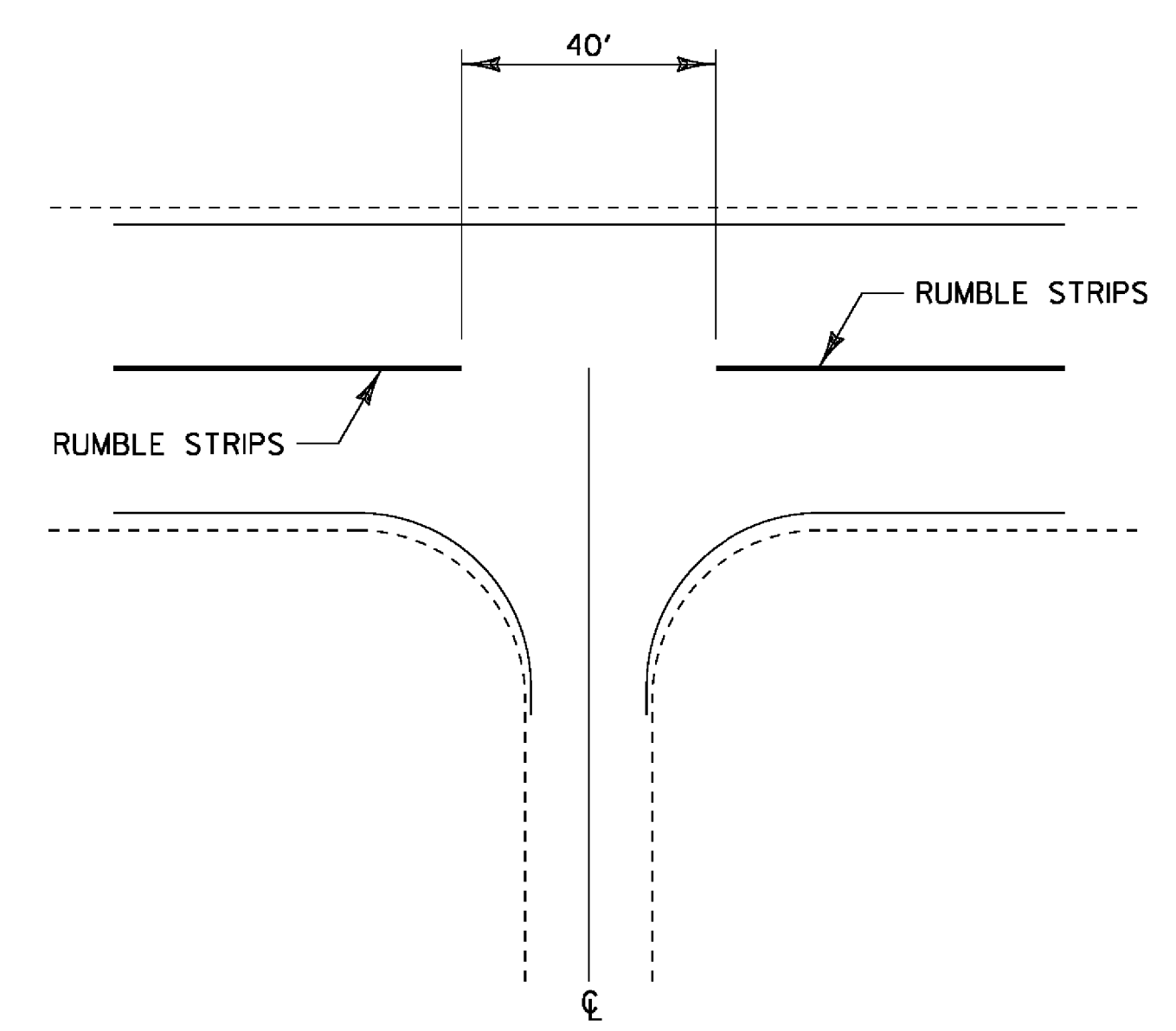
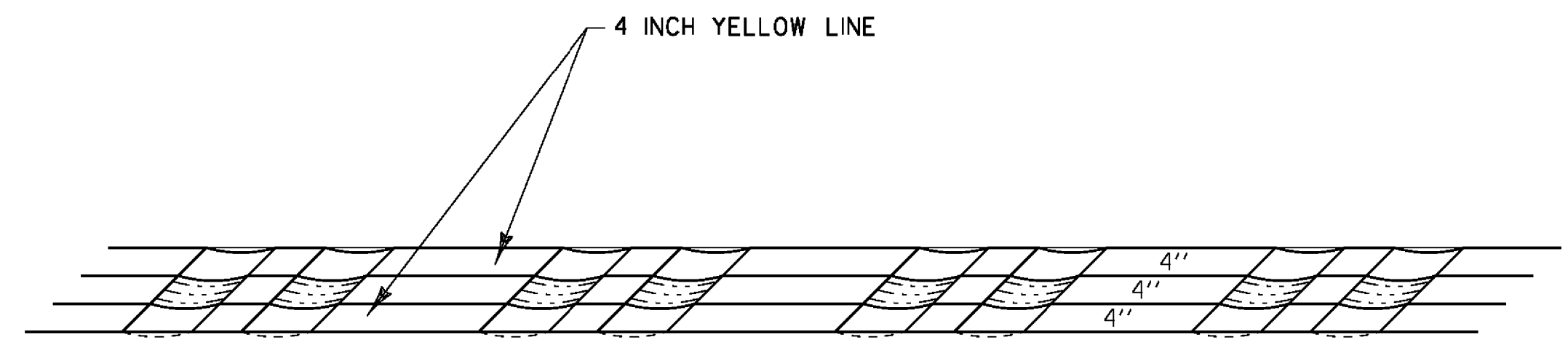


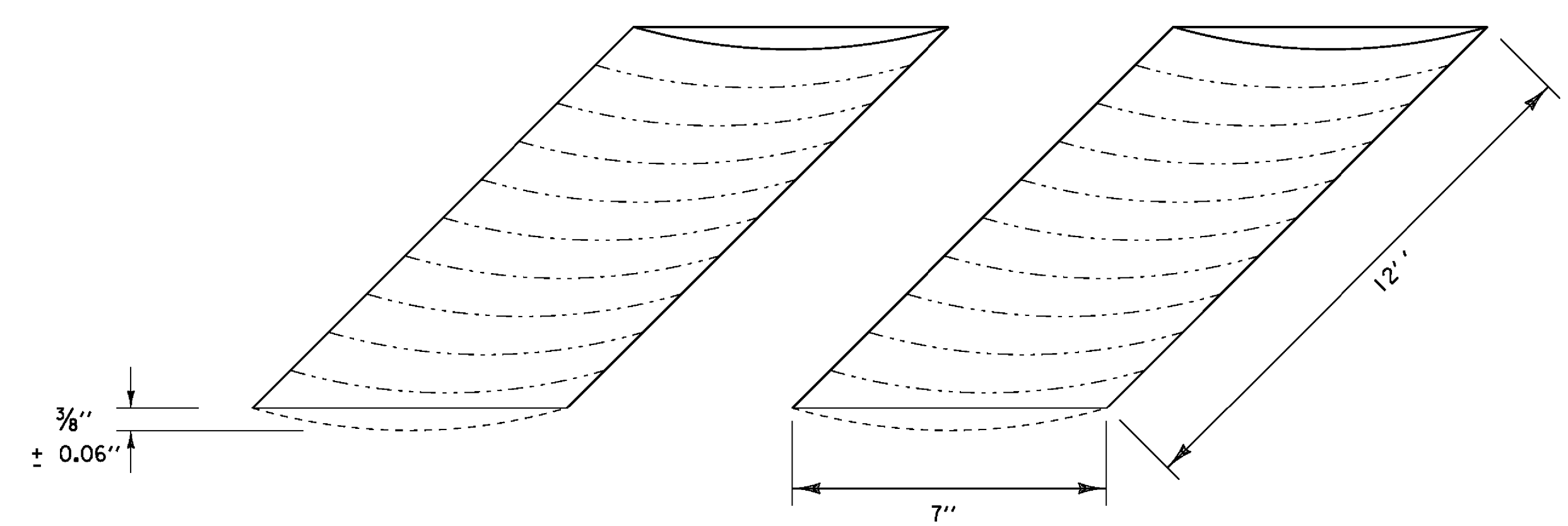
**RUMBLE STRIP LAYOUT**



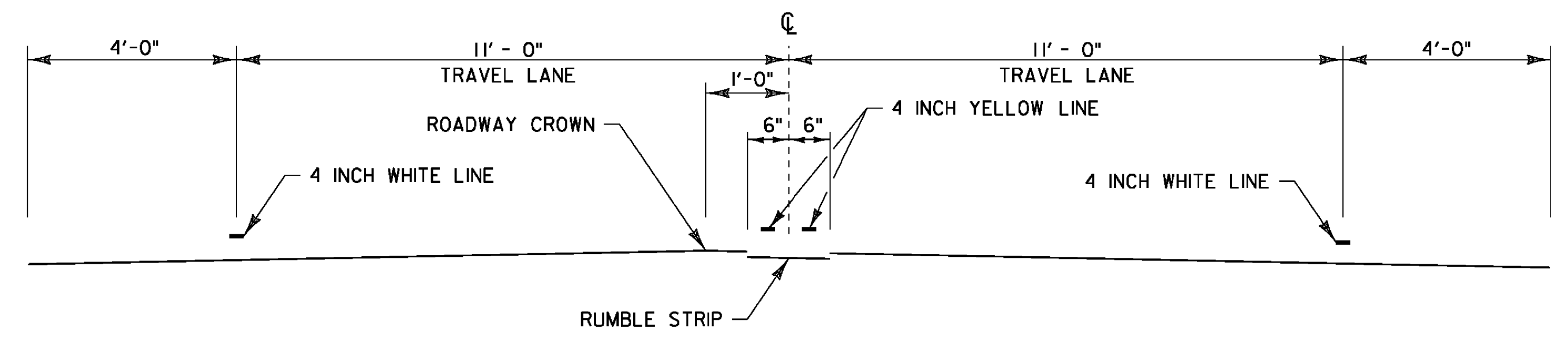
**INTERSECTION DETAIL**



**PAVEMENT MARKINGS DETAIL**



**RUMBLE STRIP DETAIL**



**RUMBLE STRIP TYPICAL SECTION**

~~BOLTON-MM-3.122 WATERBURY-MM-1.444~~  
~~WATERBURY-MM-2.116 WATERBURY-2.699~~  
 ELIMINATED FROM PROJECT  
 SEE WRITTEN ORDER #2

**NOTES**

1. CENTERLINE RUMBLE STRIPS NOT TO EXTEND BEYOND CENTERLINE WHEN CENTERLINE IS A DOUBLE YELLOW LINE, WITH OR WITHOUT A PASSING ZONE.
2. CENTERLINE RUMBLE STRIP TO BE PLACED ALONG CENTERLINE OF ROADWAY.
3. CENTERLINE RUMBLE STRIP TO STOP 20 FEET PRIOR TO THE CENTERLINE OF AN INTERSECTION.

<b>CENTERLINE RUMBLE STRIP DETAIL SHEET #1</b>	PROJECT NAME: BOLTON-WATERBURY
	PROJECT NUMBER: STP 2709(I)
	FILE NAME: 07cl72\Rumble.Stripes.dgn
	PLOT DATE: 04-JUN-2013
PROJECT LEADER: MJF	DRAWN BY: LBB
DESIGNED BY: LBB	CHECKED BY: MJF
p07cl72.rsl	SHEET 14 OF 217