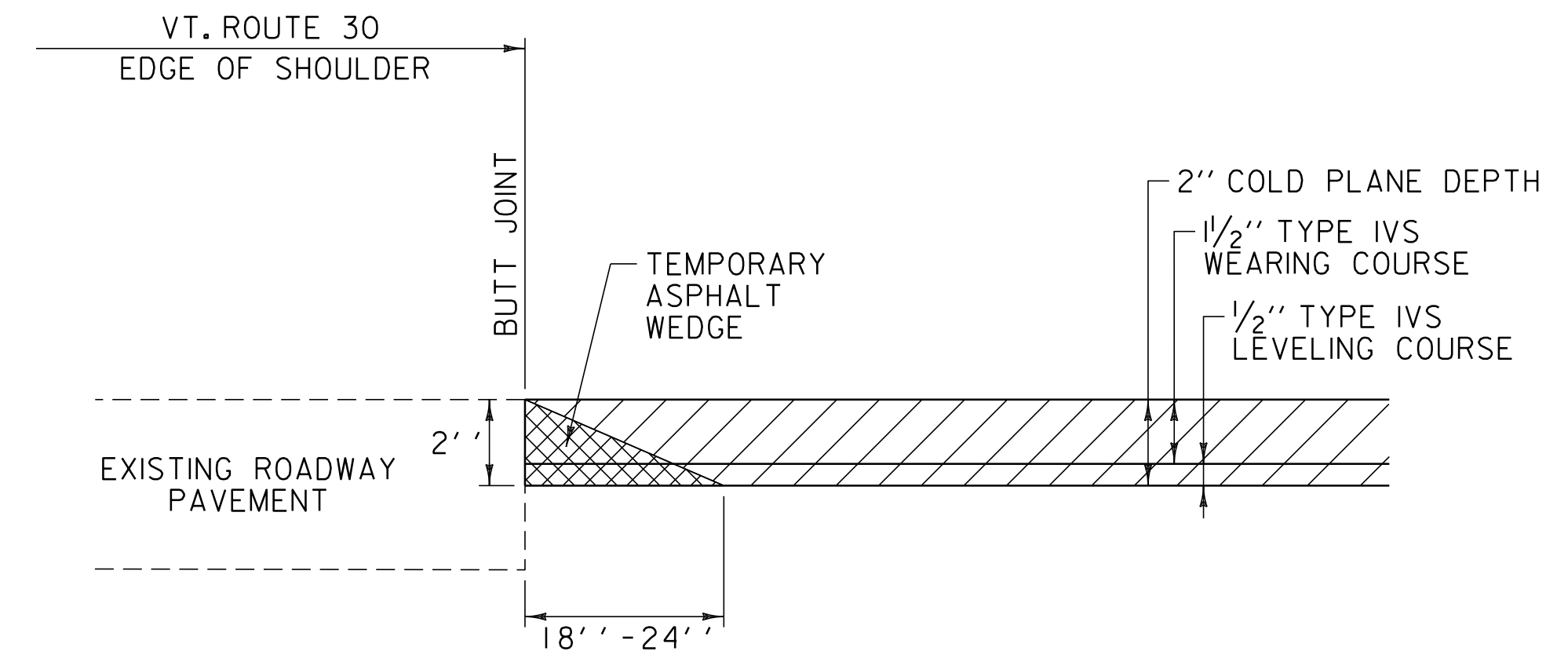


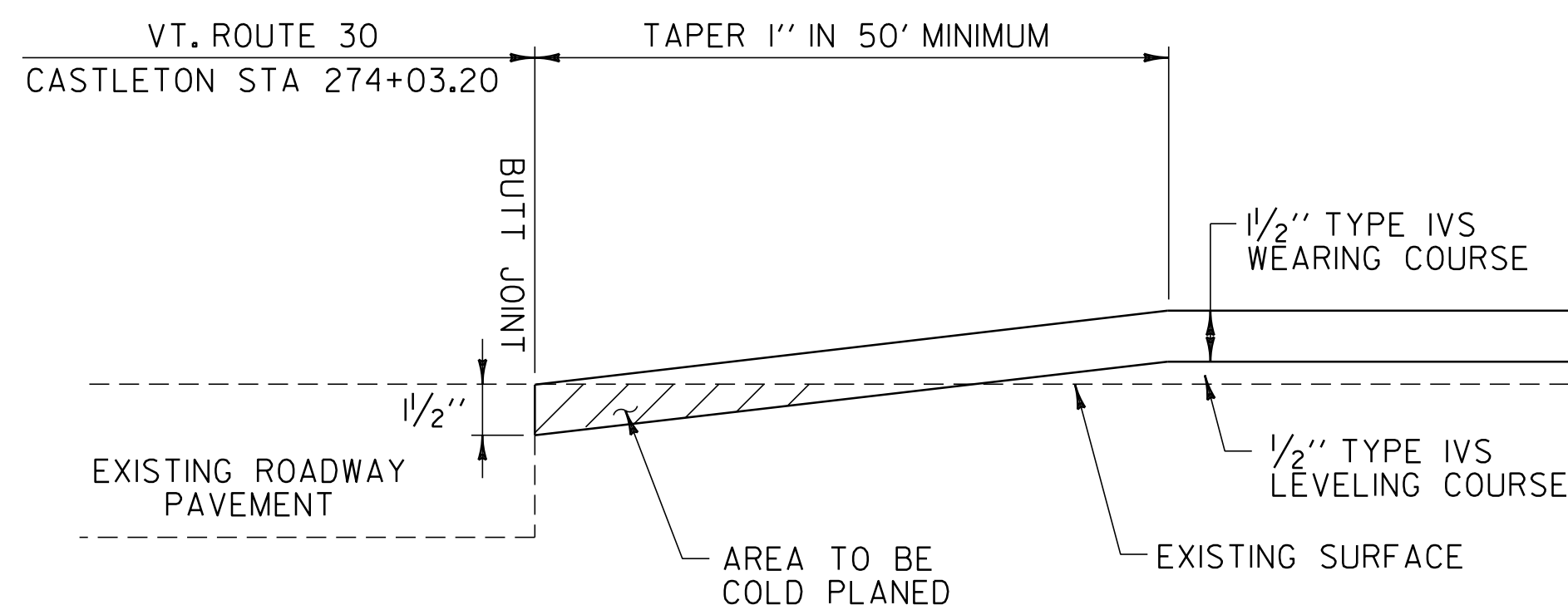
**COLD PLANE APPROACH AREA DETAIL**

VT. ROUTE 30 CASTLETON STA 80+78.40 - BEGIN PROJECT



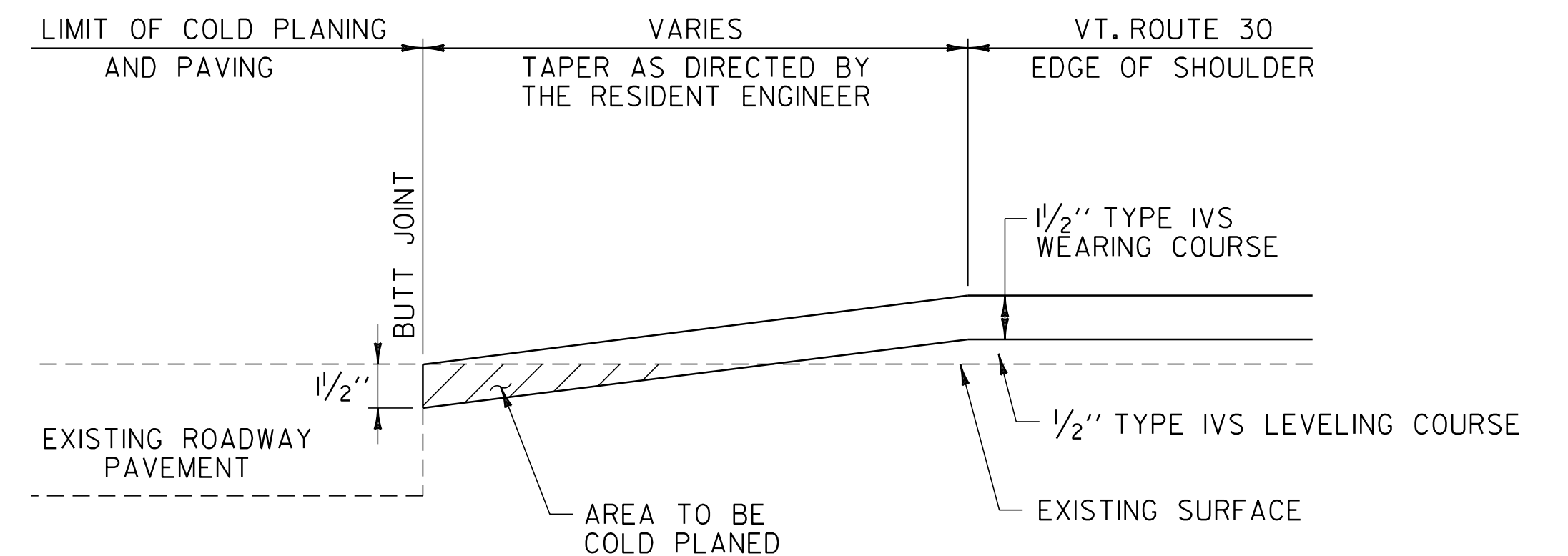
**COLD PLANE SIDE ROAD DETAIL**

CASTLETON:	TH-71	STA 88+07.04	LT
	RAMP P	STA 104+12.16	RT
	RAMP N	STA 105+23.04	LT
	RAMP Q	STA 115+26.24	RT
	RAMP R	STA 116+21.28	LT
	TH-68	STA 122+65.44	LT



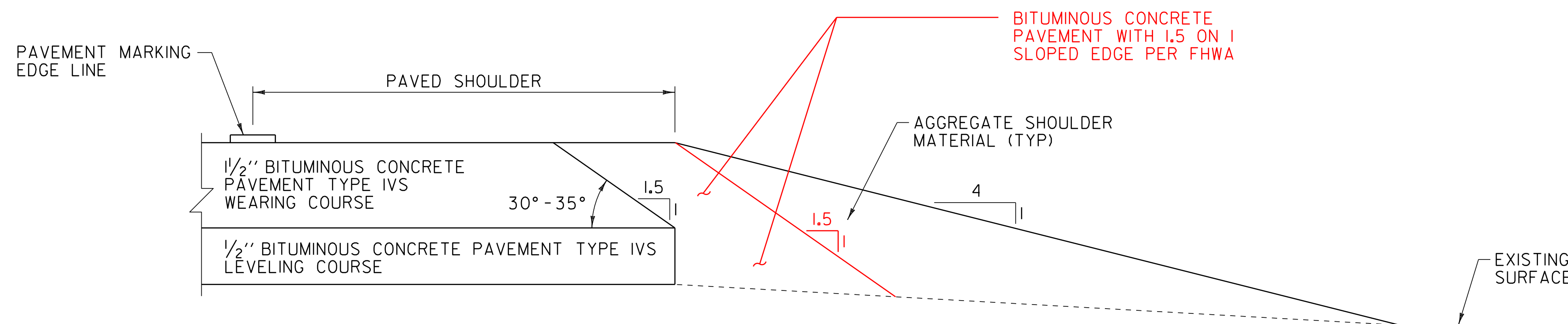
**OVERLAY APPROACH AREA DETAIL**

VT. ROUTE 30 CASTLETON STA 274+03.20 - END PROJECT



**OVERLAY SIDE ROAD DETAIL**

CASTLETON: TH-24 STA 173+23.68 LT



**SAFETY EDGE DETAIL**

VT. ROUTE 30 CASTLETON STA 125+66.40 TO CASTLETON STA 274+03.20

NOT TO SCALE

**PAVING  
DETAILS  
SHEET**

PROJECT NAME: CASTLETON  
 PROJECT NUMBER: STP 2909(1)  
 FILE NAME: p10c212.dgn  
 PROJECT LEADER: D.E.G.  
 DESIGNED BY: M.J.M.  
 IPARM FILE: p10c212pd.i

PLOT DATE: 04-JUN-2013 09:3  
 DRAWN BY: W.G.P.  
 CHECKED BY: D.E.G.  
 SHEET 122 OF 152