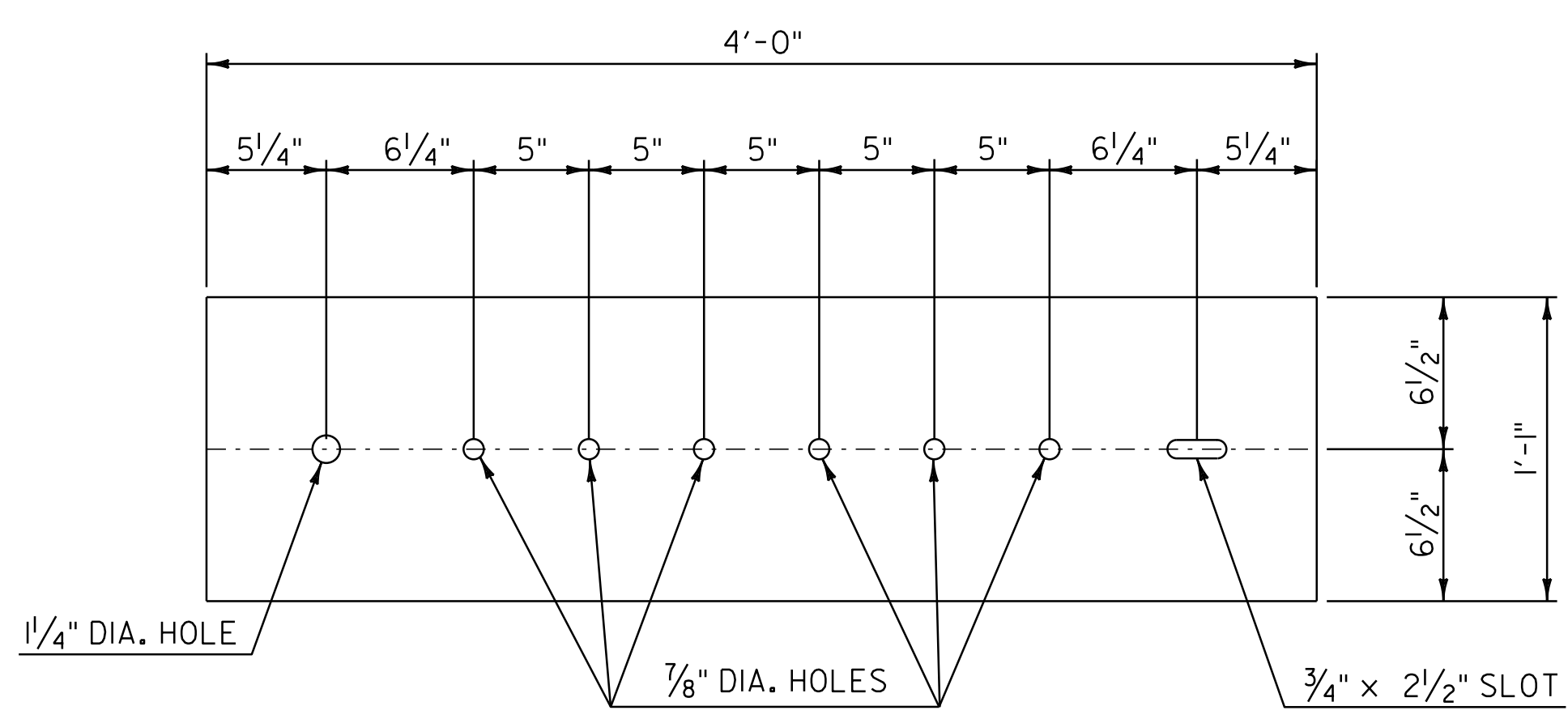
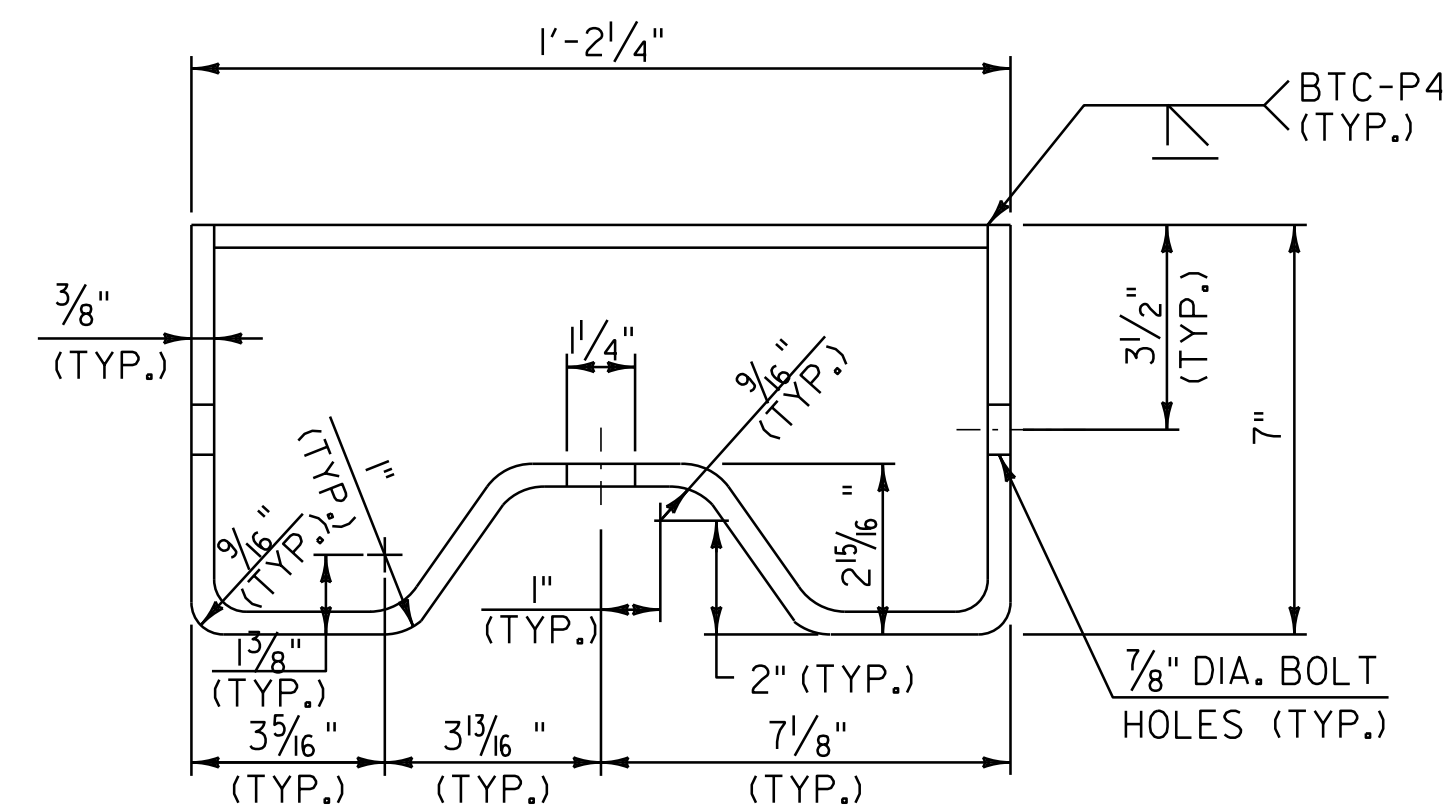


**CONNECTION DETAILS AT POST #1**

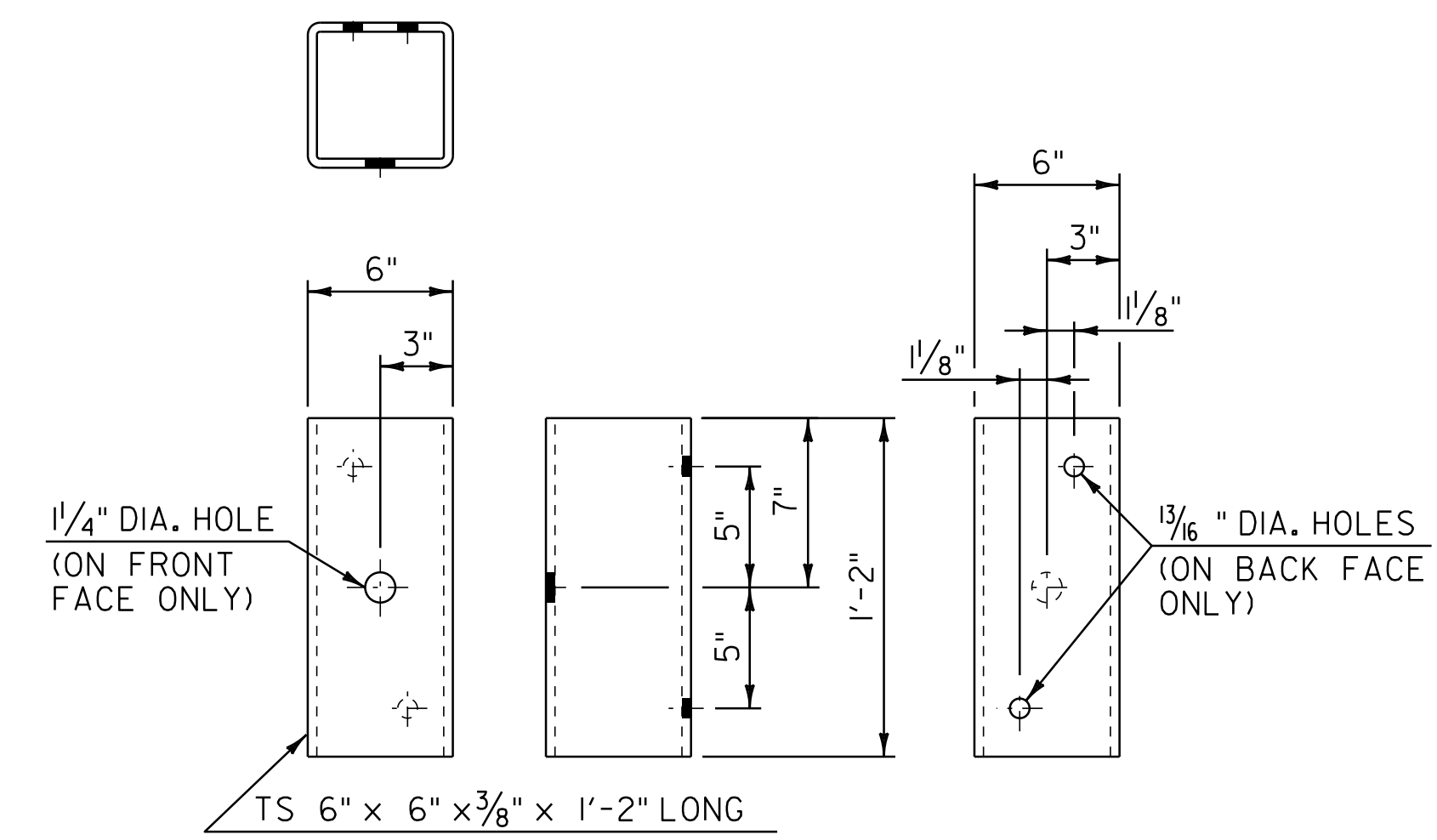


**ANCHORAGE PLATE DETAIL**

- NOTES**
1. REFER TO VAOT STANDARD G-1 FOR ADDITIONAL RAIL DETAILS.
  2. ALL POSTS FOR HEAVY DUTY STEEL BEAM GUARDRAIL SHALL BE STEEL IN ACCORDANCE WITH SUBSECTION 728.01(c) UNLESS OTHERWISE SPECIFIED IN THE CONTRACT.
  3. APPROACH RAIL SPLICES SHALL LAP IN DIRECTION OF TRAFFIC FLOW.
  4. ANCHORAGE CONNECTOR AND ANCHORAGE PLATE SHALL CONFORM TO SUBSECTION 728.01(c).
  5. ALL BOLTS, NUTS AND WASHERS SHALL CONFORM TO SUBSECTION 728.03(c).
  6. STRUCTURAL TUBING OFFSET BLOCK SHALL CONFORM TO SUBSECTION 728.01(c).
  7. APPROACH RAILING SHALL BE HEAVY DUTY STEEL BEAM FOR 50'-0" FROM THE  $\bar{C}$  OF POST #1 FOR TYPE I AND 12'-6" FROM THE  $\bar{C}$  OF POST #1 FOR TYPE II.
  8. ALLOWABLE DIMENSIONAL TOLERANCE FOR BENT SECTIONS IS  $\pm 1/16$  ".
  9. THE UNIT PRICES BID FOR EITHER TYPE OF GUARDRAIL APPROACH SECTION SHALL INCLUDE ANCHORAGE CONNECTOR, ANCHORAGE PLATE, HEAVY DUTY STEEL BEAM GUARDRAIL, POSTS, OFFSET BLOCKS, BLOCKING, BOLTS, AND ALL NECESSARY HARDWARE.



**ANCHORAGE CONNECTOR DETAIL**  
(SEE NOTE 8)



**STRUCTURAL TUBING OFFSET BLOCK DETAILS**  
(OCCURS AT POST #1 WHEN USING APPROACH RAIL UTILIZING STEEL POSTS)

NOTE:  
1. REFERENCE THIS SHEET WITH SHEET 79 ALONG WITH SHEET 83 FOR BR II DETAILS & SHEET 84 FOR BR 12 DETAILS.

**NOT TO SCALE**

<b>GUARDRAIL APPROACH SECTION DETAIL SHEET #2</b>	PROJECT NAME: CASTLETON - WEST RUTLAND	PLOT DATE: 04-JUN-2013 09:3
	PROJECT NUMBER: STP 2705(i)	DRAWN BY: W.G.P.
	FILE NAME: p07cl68.dgn	CHECKED BY: D.E.G.
	PROJECT LEADER: D.E.G.	SHEET 80 OF 152
	DESIGNED BY: M.J.M.	
	IPARM FILE: p07cl68gas2.i	