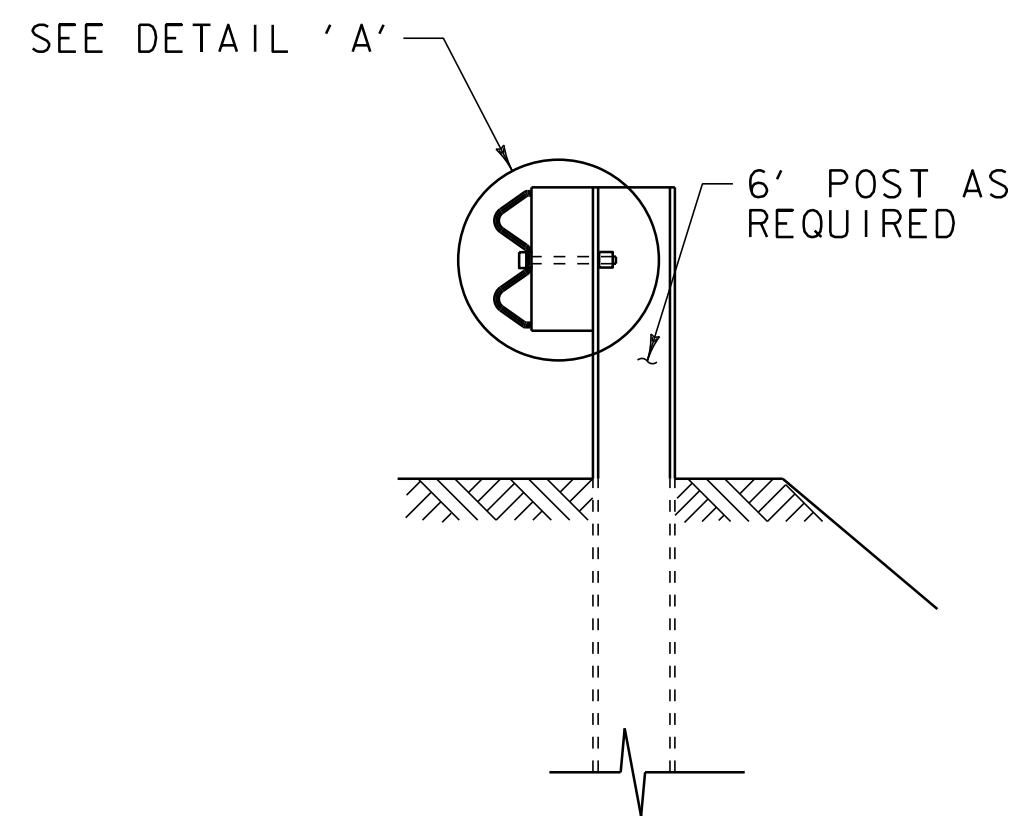
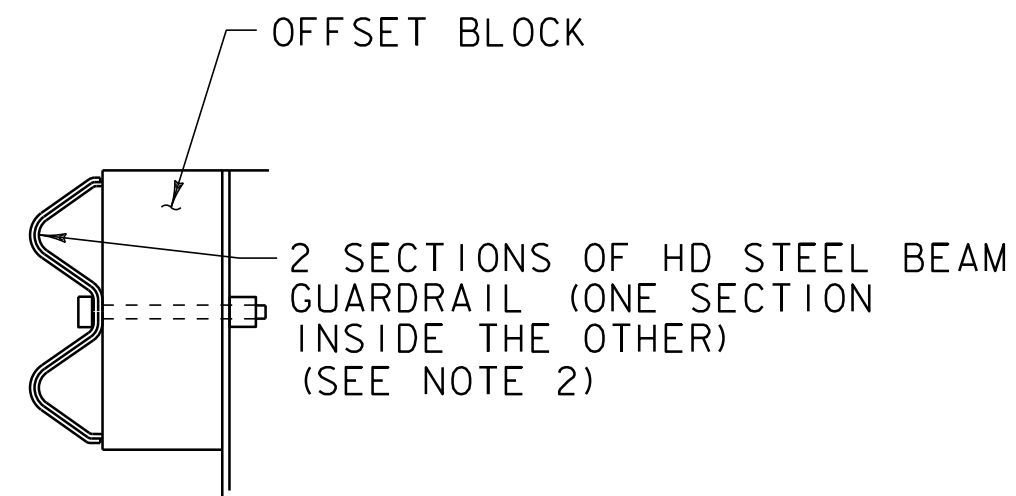


STEEL BEAM GUARDRAIL AT SMALL CULVERT DETAIL

STP 2705(I):
 VT. ROUTE 4A CASTLETON STA 269+84.0 TO STA 270+09.0 RT (25' LF)
 VT. ROUTE 4A CASTLETON STA 269+84.0 TO STA 270+09.0 LT (25' LF)
 VT. ROUTE 4A WEST RUTLAND STA 66+40.0 TO STA 66+65.0 LT (25' LF)



SECTION A-A

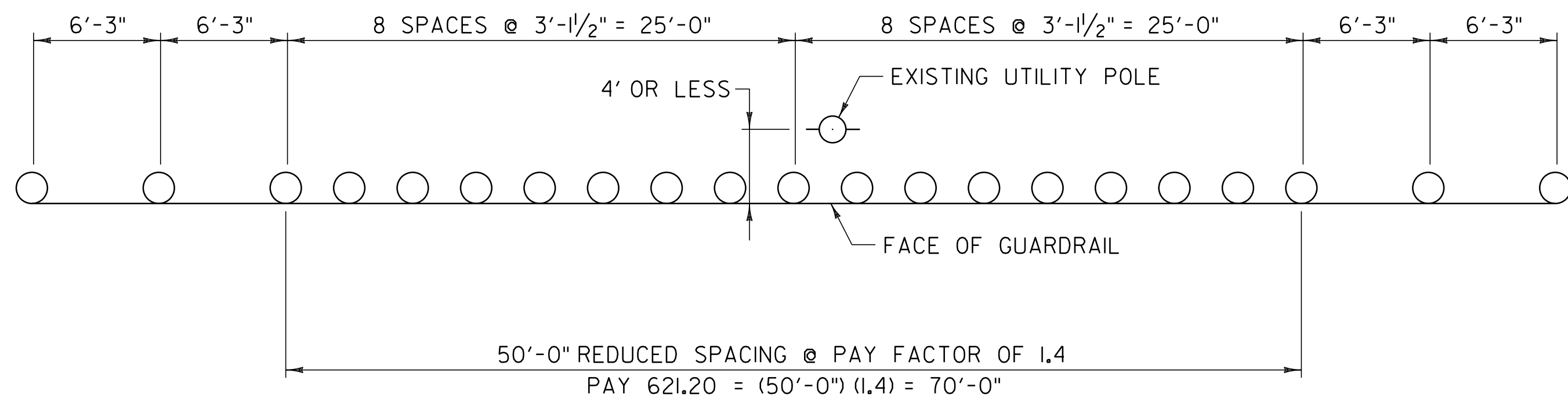


DETAIL A

DOUBLE-NESTED STEEL BEAM GUARDRAIL SYSTEM

NOTES

1. SEE STANDARD G-IFOR STEEL BEAM GUARDRAIL DETAILS.
2. THIS WORK SHALL BE PAID UNDER ITEM 621.216 HD STEEL BEAM GUARDRAIL, GALVANIZED/NESTED AT A PAY FACTOR OF 1.0.
3. THIS DETAIL TO BE USED AS INDICATED ON THE ITEM DETAIL SUMMARY SHEET OR AS DIRECTED BY THE RESIDENT ENGINEER.



REDUCED STEEL BEAM GUARDRAIL POST SPACING AT UTILITY POLE DETAIL

STP 2705(I):
 VT. ROUTE 4A IRA STA 47+54.0 LT

STP 2909(I):
 VT. ROUTE 30 CASTLETON STA 259+16.0 LT
 VT. ROUTE 30 CASTLETON STA 260+00.0 LT
 VT. ROUTE 30 CASTLETON STA 262+05.0 LT
 VT. ROUTE 30 CASTLETON STA 262+18.0 LT
 VT. ROUTE 30 CASTLETON STA 263+19.0 LT
 VT. ROUTE 30 CASTLETON STA 265+03.0 LT
 VT. ROUTE 30 CASTLETON STA 270+80.0 LT

NOT TO SCALE

COMPOSITE MISCELLANEOUS DETAILS SHEET #3	PROJECT NAME: CASTLETON - WEST RUTLAND & CASTLETON
	PROJECT NUMBER: STP 2705(I), STP 2908(I) & STP 2909(I)
	FILE NAME: p07cl68.dgn
	PLOT DATE: 04-JUN-2013 09:2
PROJECT LEADER: D.E.G.	DRAWN BY: W.G.P.
DESIGNED BY: M.J.M.	CHECKED BY: D.E.G.
IPARM FILE: p07cl68cmd3.i	SHEET 10 OF 152