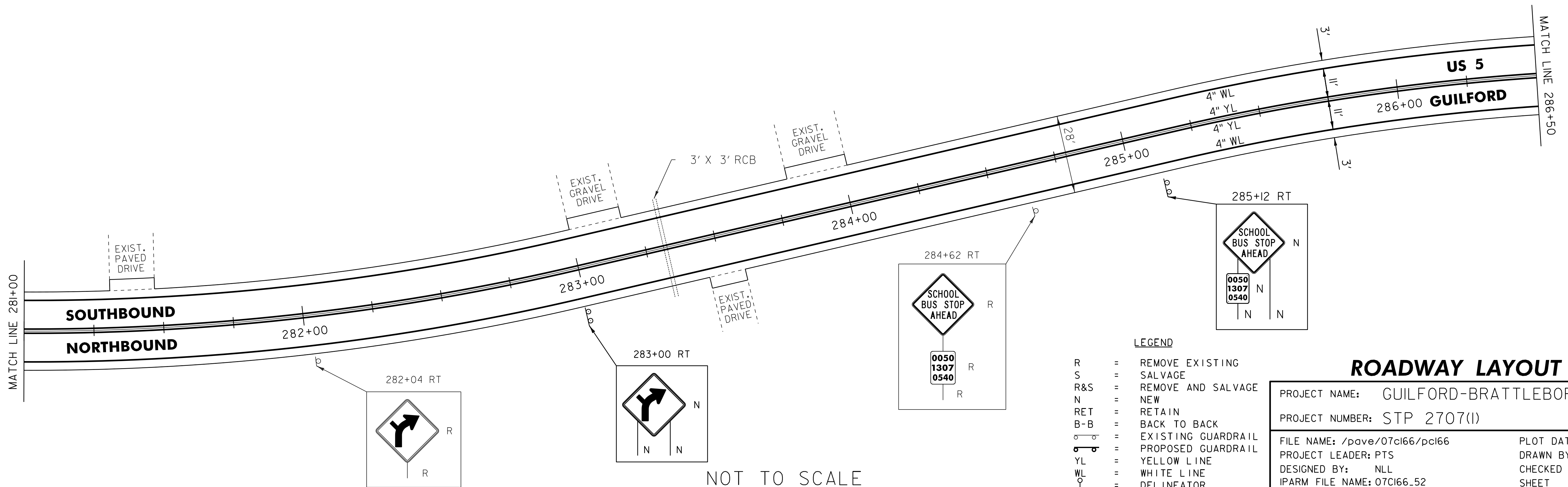
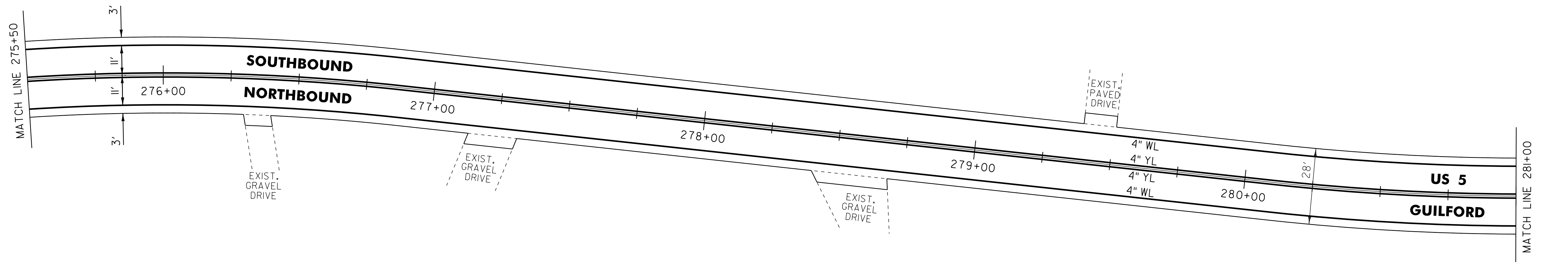


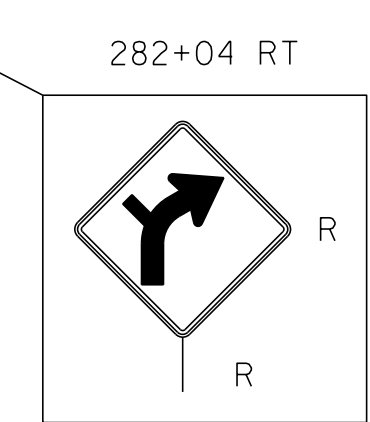
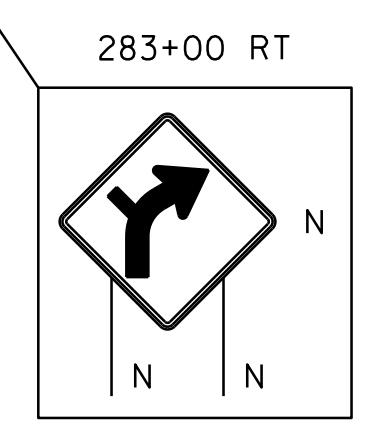
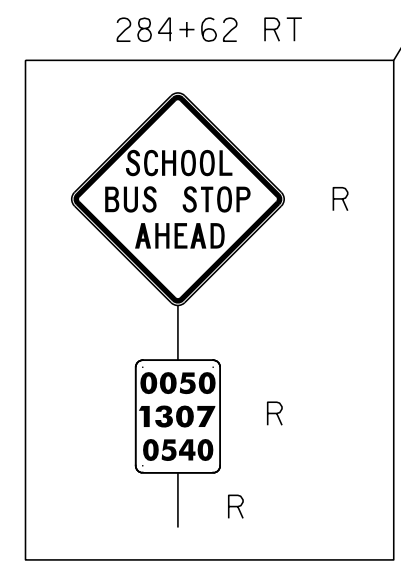
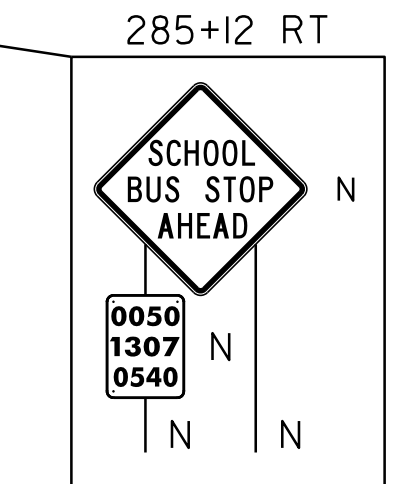
646.602 TEMPORARY 4" WHITE LINE, PAINT  
 646.402 DURABLE 4" WHITE LINE, THERMOPLASTIC  
 275+50 RO 286+50 SOLID LT  
 275+50 RO 286+50 SOLID RT

646.612 TEMPORARY 4" YELLOW LINE, PAINT  
 646.412 DURABLE 4" YELLOW LINE, THERMOPLASTIC  
 275+50 TO 286+50 SOLID LT & RT

675.50 REMOVING SIGNS  
 AS SHOWN - 3



- LEGEND**
- R = REMOVE EXISTING
  - S = SALVAGE
  - R&S = REMOVE AND SALVAGE
  - N = NEW
  - RET = RETAIN
  - B-B = BACK TO BACK
  - = EXISTING GUARDRAIL
  - = PROPOSED GUARDRAIL
  - YL = YELLOW LINE
  - WL = WHITE LINE
  - = DELINEATOR



NOT TO SCALE

**ROADWAY LAYOUT 33**

PROJECT NAME: GUILFORD-BRATTLEBORO	FILE NAME: /pave/07cl66/pcl66	PLOT DATE: 29-JAN-2013 11:41
PROJECT NUMBER: STP 2707(1)	PROJECT LEADER: PTS	DRAWN BY: WWG
	DESIGNED BY: NLL	CHECKED BY: NLL/PTS
	IPARM FILE NAME: 07C166.52	SHEET 52 OF 97