

646.602 TEMPORARY 4" WHITE LINE, PAINT
 646.402 DURABLE 4" WHITE LINE, THERMOPLASTIC
 238+00 TO 248+50 SOLID LT
 238+00 TO 248+50 SOLID RT

646.612 TEMPORARY 4" YELLOW LINE, PAINT
 646.412 DURABLE 4" YELLOW LINE, THERMOPLASTIC
 238+00 TO 248+50 SOLID LT & RT

621.205 STEEL BEAM GUARDRAIL
 GALVANIZED W/8' POSTS

238+00 TO 238+98.5 RT **239+14**
 240+97.5 TO 248+50 RT
240+29.5

621.50 MANUFACTURED
 TERMINAL SECTION, FLARED

~~239+14~~ ~~238+98.5~~ TO 239+36.52 RT
~~239+92~~ ~~240+60~~ TO 240+97.5 RT **240+29.5**

621.80 REMOVAL AND DISPOSAL OF GUARDRAIL

238+00 TO 239+35 RT
 240+64 TO 248+50 RT

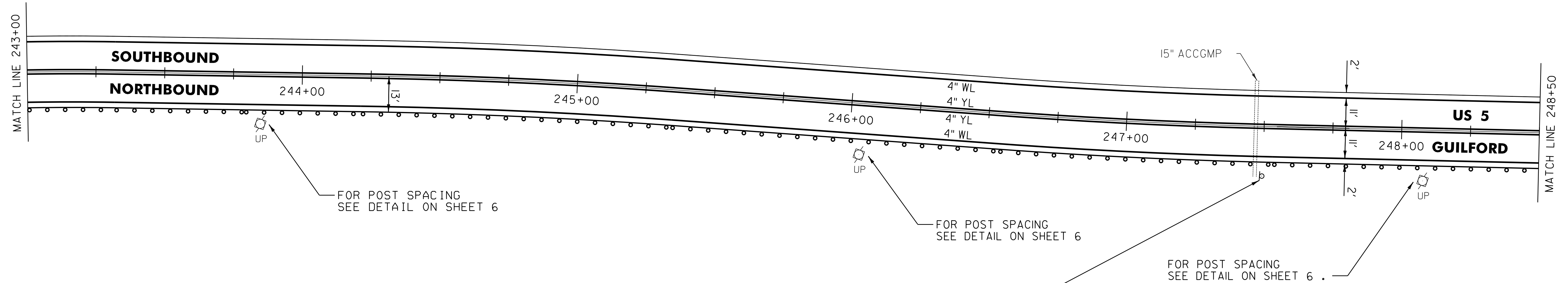
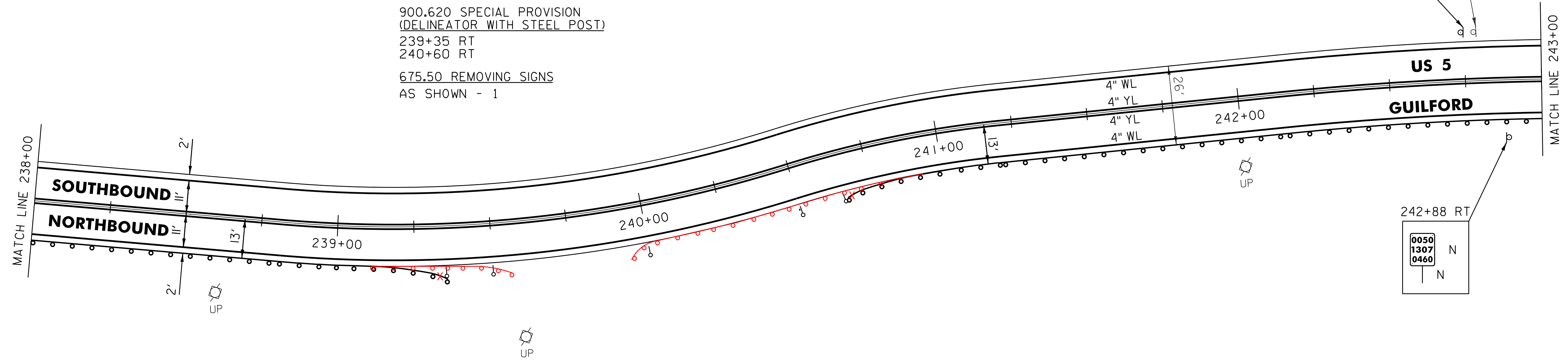
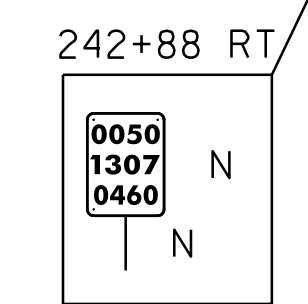
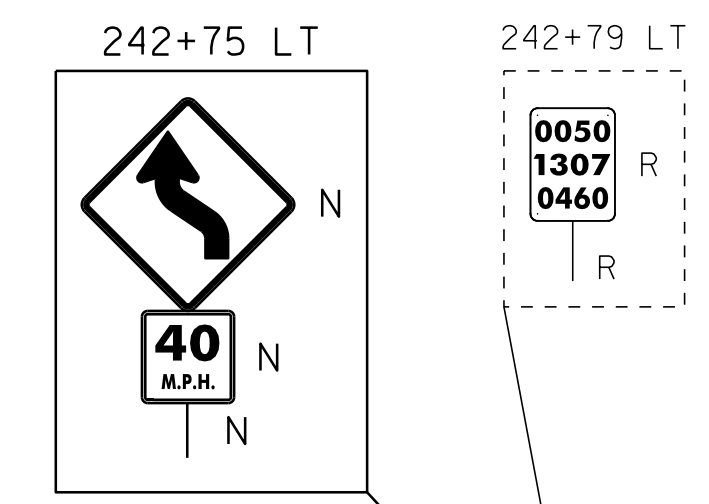
900.620 SPECIAL PROVISION
 (DELINEATOR WITH STEEL POST)

239+35 RT
 240+60 RT

675.50 REMOVING SIGNS
 AS SHOWN - 1

900.620 SPECIAL PROVISION
 (DELINEATOR WITH STEEL POST)

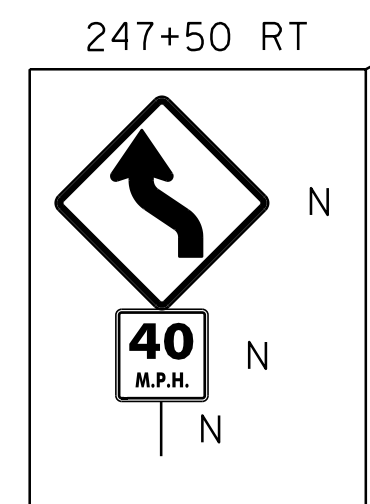
~~(INSTALL 6" X 8" TYPE II DELINEATOR BACK TO BACK)~~
~~239+50 RT~~
~~240+80 RT~~
~~240+50 RT~~



FOR POST SPACING
 SEE DETAIL ON SHEET 6

FOR POST SPACING
 SEE DETAIL ON SHEET 6

FOR POST SPACING
 SEE DETAIL ON SHEET 6



- LEGEND**
- R = REMOVE EXISTING
 - S = SALVAGE
 - R&S = REMOVE AND SALVAGE
 - N = NEW
 - RET = RETAIN
 - B-B = BACK TO BACK
 - = EXISTING GUARDRAIL
 - = PROPOSED GUARDRAIL
 - YL = YELLOW LINE
 - WL = WHITE LINE
 - = DELINEATOR

ROADWAY LAYOUT 28

PROJECT NAME: GUILFORD-BRATTLEBORO
 PROJECT NUMBER: STP 2707(I)

FILE NAME: /pave/07cl66/pcl66
 PROJECT LEADER: PTS
 DESIGNED BY: NLL
 IPARM FILE NAME: 07Cl66_47

PLOT DATE: 29-JAN-2013 11:41
 DRAWN BY: WWG
 CHECKED BY: NLL/PTS
 SHEET 47 OF 97

NOT TO SCALE