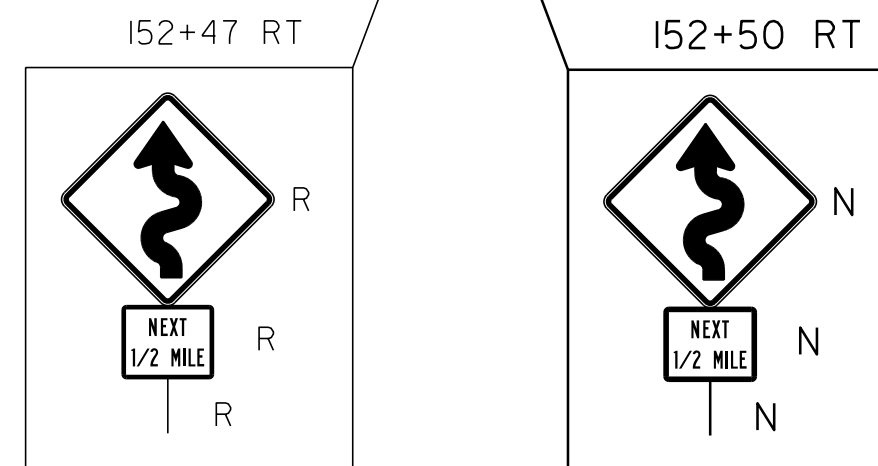
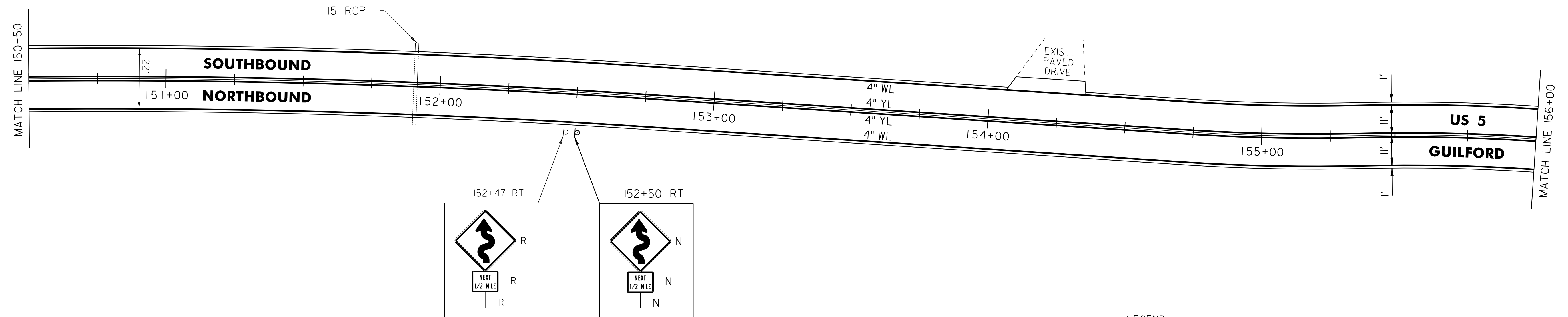
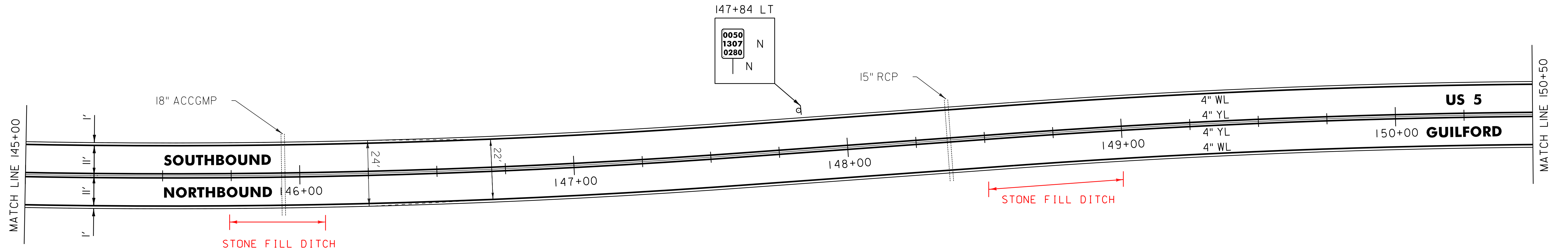


646.602 TEMPORARY 4" WHITE LINE, PAINT  
 646.402 DURABLE 4" WHITE LINE, THERMOPLASTIC  
 145+00 TO 156+00 SOLID LT  
 145+00 TO 156+00 SOLID RT

646.612 TEMPORARY 4" YELLOW LINE, PAINT  
 646.412 DURABLE 4" YELLOW LINE, THERMOPLASTIC  
 145+00 TO 156+00 SOLID LT & RT

675.50 REMOVING SIGNS  
 AS SHOWN - 2

STONE FILL, TYPE 1  
 145+75 - 146+14 RT  
 148+63 - 149+00 RT



- LEGEND**
- R = REMOVE EXISTING
  - S = SALVAGE
  - R&S = REMOVE AND SALVAGE
  - N = NEW
  - RET = RETAIN
  - B-B = BACK TO BACK
  - = EXISTING GUARDRAIL
  - = PROPOSED GUARDRAIL
  - YL = YELLOW LINE
  - WL = WHITE LINE
  - = DELINEATOR

**ROADWAY LAYOUT 16**

PROJECT NAME: GUILFORD-BRATTLEBORO  
 PROJECT NUMBER: STP 2707(1)

FILE NAME: /pave/07cl66/pcl66  
 PROJECT LEADER: PTS  
 DESIGNED BY: NLL  
 IPARM FILE NAME: 07Cl66.35

PLOT DATE: 29-JAN-2013 11:41  
 DRAWN BY: WWG  
 CHECKED BY: NLL/PTS  
 SHEET 35 OF 97

NOT TO SCALE